

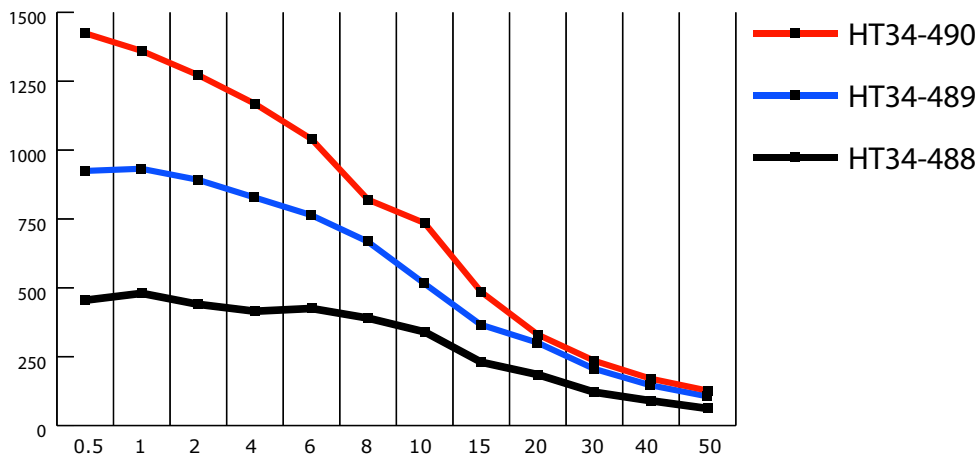
# STAC6 Stepper Drive

## Size 34 Step Motors

### Specifications

Model	Holding Torque oz-in	Rated Current A	Resistance Ohms	Inductance Mh	Rotor Inertia oz-in <sup>2</sup>
HT34-488	650	5.1	0.76	5.2	7.8
HT34-489	1200	5.1	1.08	8.8	14.6
HT34-490	1845	5.8	1.08	9.6	21.9

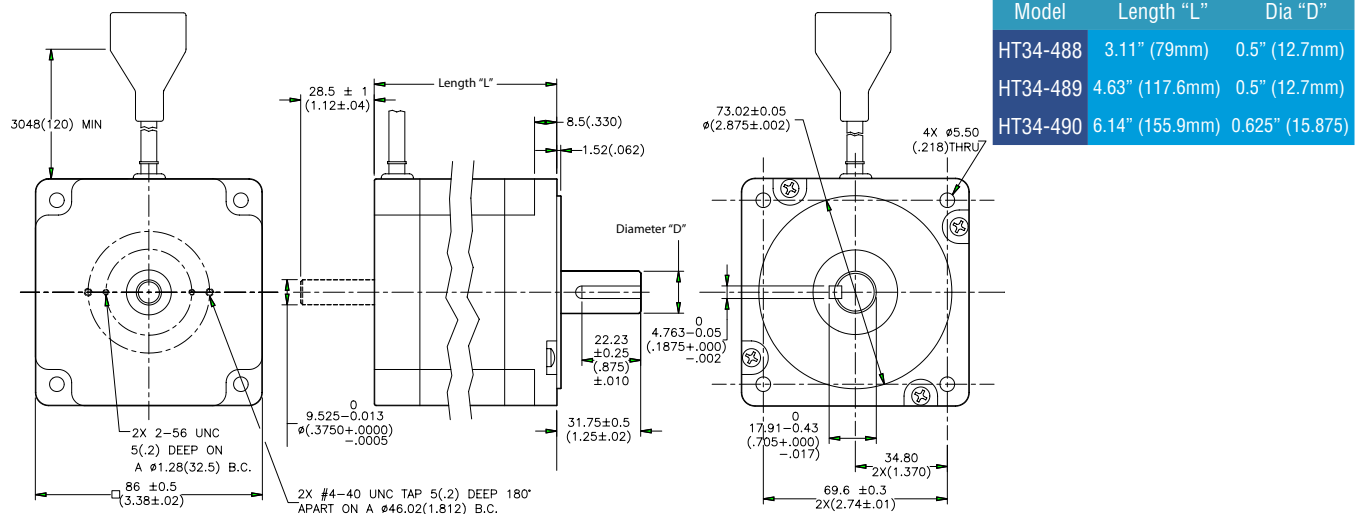
### Torque Curves



Note - Performance achieved with motor mounted on 10" x 10" x 0.5" aluminum plate.

### Dimensions

Dimensions in mm.



RECOMMENDED MOTORS											
Part #	MOTOR CONNECTION 1=series 2=parallel 3=unipolar	Motor Length (inches)	Minimum Holding Torque (oz-in)	Leads	Step Angle	Volts	Amps	Ohms	mH	Rotor Inertia (oz-in <sup>2</sup> /G-CM <sup>2</sup> )	Motor Weight lbs
HT34-488#	1	3.11	650	8	1.8	3.2	4.3	1.6	5.2	7.8/1400	8
	2		650			1.6	8.6	0.4	1.3		
	3	v	455			2.24	6.0	0.8	1.3	v	v
HT34-489#	1	4.63	1200			4.4	4.1	1.7	8.8	14.6/2680	8.4
	2		1200			2.2	8.1	0.42	2.2		
	3	v	840			3.1	5.7	0.85	2.2	v	v
HT34-490#	1	6.14	1845			4.8	4.5	1.7	9.6	21.9/4000	11.9
	2		1845			2.4	9.0	0.42	2.4		
	3	v	1290	v	v	3.4	6.3	0.85	2.4	v	v

- Part numbers listed are for single shaft. To order double shaft add 'D' to the end.
- All HT34 motors are optimized for microstepping.

# indicates motor with 10" cable