

SPECIFICATIONS:	
STEPS PER REVOLUTION: 200	ROTOR INERTIA: 1100G-CM <sup>2</sup> ( 6.0 OZ-IN <sup>2</sup> ) NOM
STEP ANGLE: 1.8°	DETENT TORQUE: 1529 G-CM ( 21.2 OZ-IN) MIN
STEP TO STEP ACCURACY: ± 5 % [1], [2]	INSULATION CLASS: B
POSITIONAL ACCURACY: ± 5 % [1], [3]	BEARINGS: ABEC 3, DOUBLE SHIELDED
HYSTERESIS: - %	WEIGHT: 1.6 KG (3.5 LB)
SHAFT RUNOUT: 0.05 T.I.R.	TEMP. RISE: 80 °C MAX. [8]
RADIAL PLAY: 0.02 MAX W/A .5KG RADIAL LOAD	OPERATING TEMP. RANGE: -20 TO +50 °C
END PLAY: 0.08 MAX W/A .5KG AXIAL LOAD	STORAGE TEMP. RANGE: -30 TO +70 °C
	RELATIVE HUMIDITY RANGE: 15 TO 85 %

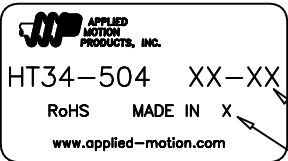
HT34-504

REVISIONS				
ECO NO.	REV	DESCRIPTION	DATE	APPROVED
5982	A	INITIAL RELEASE	10/5/09	J KORDIK
6030	B	SPEC CHANGES	12/2/09	J KORDIK

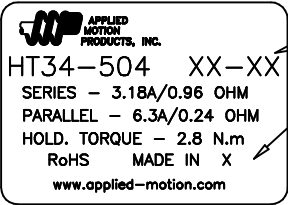
SPECIFICATION / CONNECTION	NUMBER OF PHASE	RESISTANCE PER PHASE OHM ±10%	INDUCTANCE PER PHASE mH ±20%	RATED CURRENT Amp	RATED VOLTAGE V	HOLDING TORQUE Nm Min
BI-POLAR SERIES	2	0.96	6.8	3.18	3.05	2.8
BI-POLAR PARALLEL	2	0.24	1.7	6.3	1.52	2.8
UNI-POLAR	4	0.48	1.7	4.5	2.16	2.1

NOTES, UNLESS OTHERWISE SPECIFIED:

- [1] MEASUREMENTS MADE AT RATED CURRENT IN EACH PHASE.
- [2] BETWEEN ANY TWO ADJACENT STEP POSITIONS.
- [3] MAXIMUM ERROR IN 360°.
- 4. HIPOT 500 VAC, 60 Hz FOR ONE MINUTE.
- [5] LEADS: 8, 22AWG, 7 STRAND MIN., UL AND CSA APPROVED, UL 1430 OR UL 3265.
- 6. INSULATION RESISTANCE: 100 MEGOHMS MIN AT 500 VDC.
- [7] AS MEASURED USING AN A.C. INDUCTANCE BRIDGE, AT 1KHz.
- [8] AS MEASURED BY THE CHANGE IN RESISTANCE METHOD, WITH RATED VOLTAGE APPLIED TO 2 PHASES; WITH MOTOR AT REST.
- [9] SHAFT OPTION: IF DOUBLE SHAFT REQUIRED ADD "D" TO END OF PART NUMBER. DOUBLE SHAFT REQUIRES ADDED HOLES FOR ENCODER OPTIONS.
- 10. THIS MOTOR TO BE MANUFACTURED IN COMPLIANCE WITH EU DIRECTIVE "ROHS 2002/95/EC".
- [11] MOTOR LABEL TO INCLUDE "ROHS" COMPLIANT, 'MADE IN (COUNTRY OF ORIGIN)' AND DATE CODE.
- 10. HIGH TORQUE MOTOR DESIGN.



**LABEL DETAIL**  
BOTH OPTIONS ACCEPTABLE

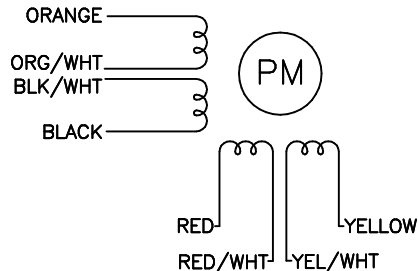


BIPOLAR, FULL STEP, 2 PHASE ON PARALLEL CONNECTED

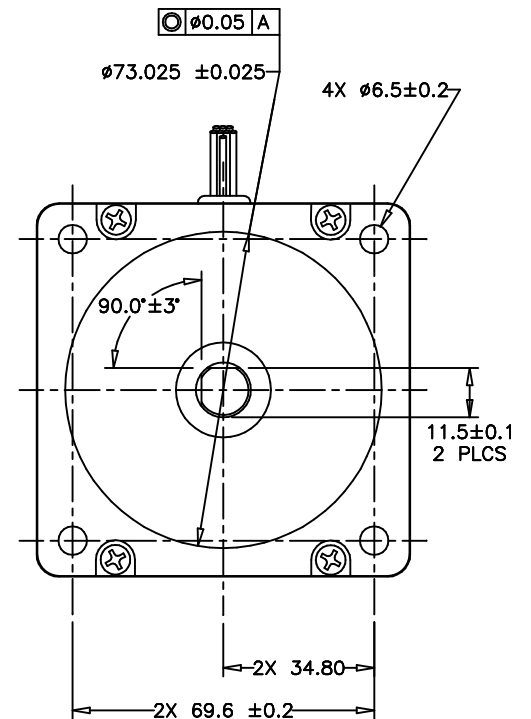
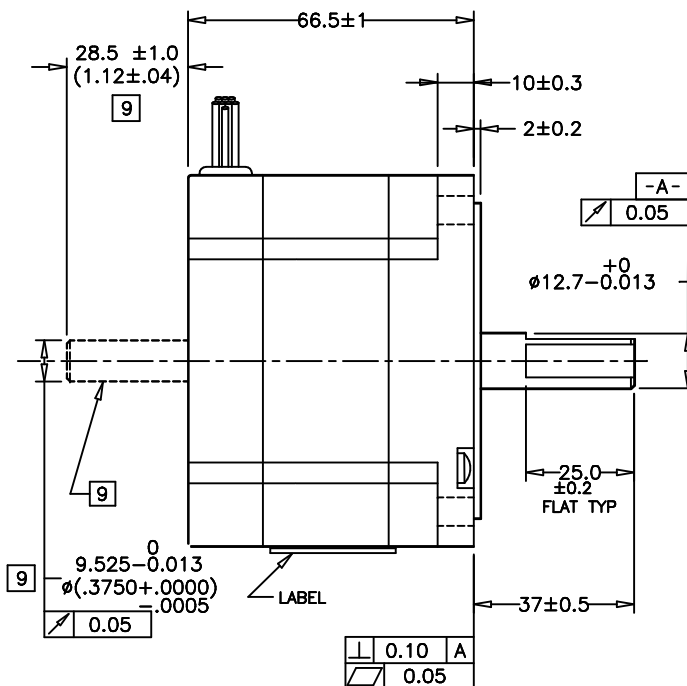
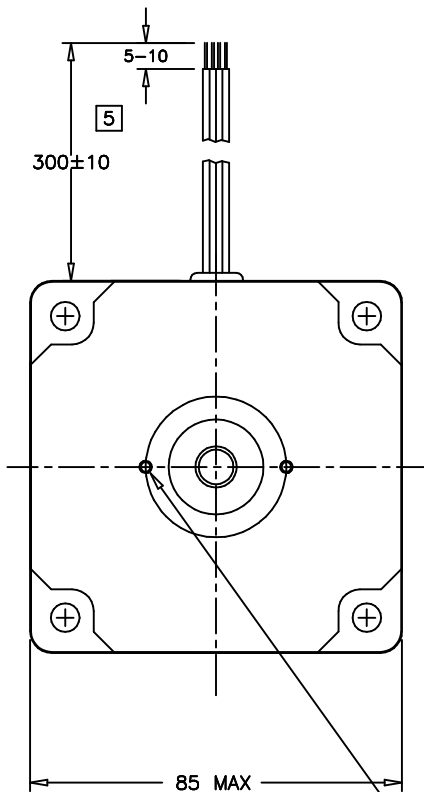
SWITCHING SEQUENCE FOR CW ROTATION FACING MOUNTING END

STEP	ORANGE & BLK/WHT	BLACK & ORN/WHT	RED & YEL/WHT	YELLOW & RED/WHT
0	+	-	+	-
1	-	+	+	-
2	-	+	-	+
3	+	-	-	+
4	+	-	+	-

↑  
CCW



CONTRACT NO. -			
APPROVALS			
DRAWN R.JONEZ		9/1/09	
CHECKED			
APPROVED			
APPROVED			
SCALE: NONE		SHEET 1 OF 2	
STEP MOTOR OUTLINE			
B	COMPUTER DATA BASE DRAWING	DWG NO. HT34-504	REV B



9 2X #2-56 UNC TAP  
4.5 MIN DEEP ON  
A Ø32.5 B.C.

TOLERANCES		THIRD ANGLE PROJECTION		APPLIED MOTION PRODUCTS, INC.		
DECIMALS: MM (INCH) X.XXX = ± (.005) X.XX = ±0.13 (.010) X.X = ±0.25 (.020) ANGLES: MACH. = ±5° CHAM. = ±5°				<b>STEP MOTOR OUTLINE</b>		
COMPUTER DATA BASE DRAWING		APPROVALS DRAWN <b>R. JONEZ</b> CHECKED APPROVED				DATE <b>9/1/09</b>
				B	DWG NO. HT34-504	REV B
				SCALE: NONE		SHEET 2 OF 2