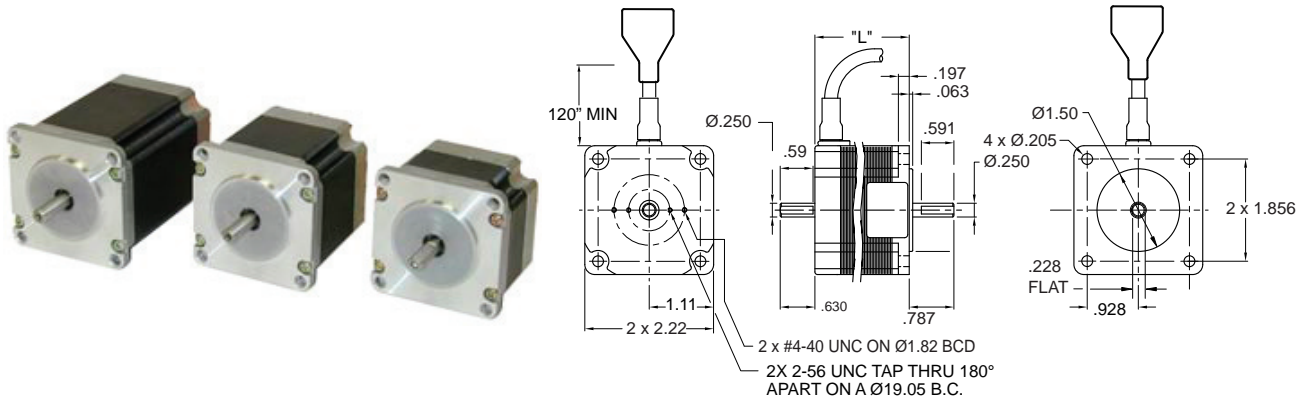


NEMA 23 - HIGH TORQUE WITH CABLE

QUICKLINK: nemaht23



PART #	WIRING DIAG	CONNECTION	MOTOR LENGTH (INCH)	MIN-HOLDING TORQUE (OZ-IN)	# OF LEADS	STEP ANGLE (DEG)	AMPS	OHMS	MH	ROTOR INERTIA (OZ-IN ² / G-CM ²)	MOTOR WEIGHT (LBS.)
HT23-548	L	series	1.72	84.4	8	1.8	1.41	2.8	6.0	0.66 / 120	1.00
		parallel		84.4			2.83	0.7	1.5		
		unipolar		59.7			2.00	1.4	1.5		
HT23-549	L	series	2.16	167	8	1.8	1.41	3.6	12.8	1.64 / 300	1.54
		parallel		167			2.83	0.9	3.2		
		unipolar		118			2.00	1.8	3.2		
HT23-550	L	series	3.05	255	8	1.8	1.41	4.5	15.2	2.62 / 480	2.20
		parallel		255			2.83	1.13	3.8		
		unipolar		180.5			2.00	2.25	3.8		
HT23-552	L	series	1.72	84.4	8	1.8	0.7	11.2	22.4	0.66 / 120	1.00
		parallel		84.4			1.4	2.8	5.6		
		unipolar		59.7			1.00	5.6	5.6		
HT23-553	L	series	2.16	167	8	1.8	0.7	14.2	51.2	1.64 / 300	1.54
		parallel		167			1.4	3.6	12.8		
		unipolar		118			1.00	7.2	12.8		
HT23-554	L	series	3.05	255	8	1.8	0.7	18	60.8	2.62 / 480	2.20
		parallel		255			1.4	4.5	12.8		
		unipolar		180.5			1.00	9	15.2		

Use Wiring Diagram L. - pg. 76

Part numbers listed are for single shaft. To order double shaft add "D" to the part number. Example: HT23-548D.

Motors in the table above are optimized for microstepping and use with 160 volt drives.

Motors in the table above are terminated in a series connection. Other connections listed for reference.

Motors supplied with a shielded 10 ft cable

Full CAD drawings and 3D models are available on our website.