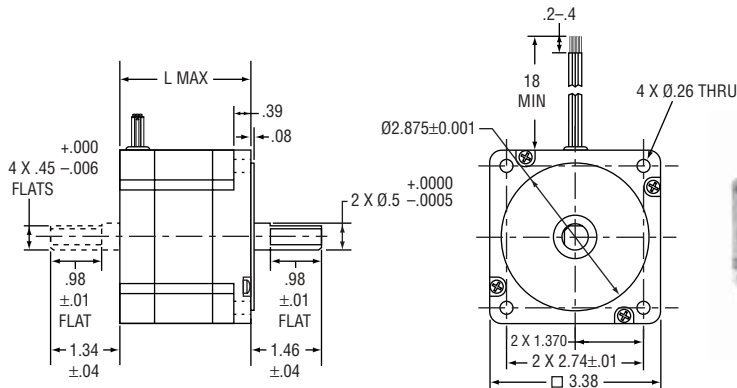


# Hybrid Step Motors

 SIZE  
HT  
34


Part #	MOTOR CONNECTION 1 = series 2 = parallel 3 = unipolar	Motor Length (inches)	Minimum Holding Torque (oz-in)	Leads	Step Angle	Volts Amps		Ohms mH		Rotor Inertia (oz-in <sup>2</sup> /G-CM <sup>2</sup> )	Motor Weight (Lbs.)
						Volts	Amps	Ohms	mH		
* HT34-474	1	2.60	389	8	1.8	2.8	3.15	0.96	7.6	7.65/1400	4.00
	2	↓	389			1.4	6.3	0.24	1.9	↓	↓
	3	↓	278			2.0	4.5	0.48	1.9	↓	↓
* HT34-476	1	3.78	855	8	1.8	3.92	3.15	1.32	12.0	14.8/2700	6.2
	2	↓	855			1.96	6.3	0.33	3.0	↓	↓
	3	↓	611			2.8	4.5	0.66	3.0	↓	↓
* HT34-478	1	4.96	1284	8	1.8	5.3	2.8	1.94	22.0	27.9/4000	8.66
	2	↓	1284			2.7	5.6	0.49	5.5	↓	↓
	3	↓	917			3.8	4.0	0.97	5.5	↓	↓

**OTHER LENGTHS AND WINDINGS AVAILABLE UPON REQUEST**

- Part numbers listed are for single shaft. To order double shaft add 'D' to the end.
- All HT34 motors are optimized for microstepping.
- \* Optimized for use with 160 volt drives.

Sold &amp; Serviced By:

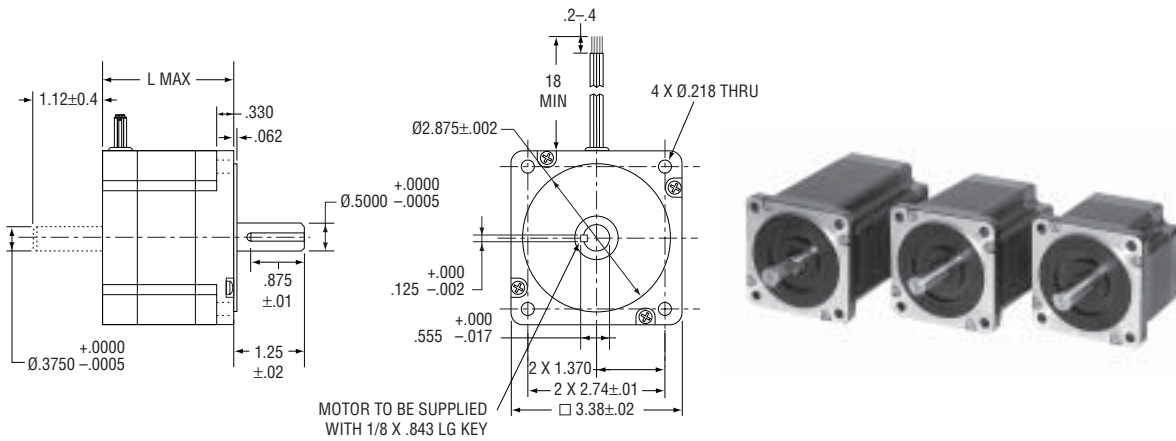


Toll Free Phone: 877-378-0240

Toll Free Fax: 877-378-0249

sales@servo2go.com

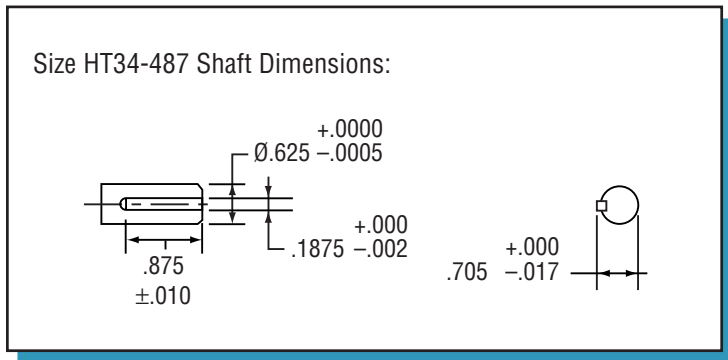
www.servo2go.com



Part #	MOTOR CONNECTION 1 = series 2 = parallel 3 = unipolar	Motor Length (inches)	Minimum Holding Torque (oz-in)	Step Leads	Step Angle	Volts	Amps	Ohms	mH	Rotor Inertia (oz-in <sup>2</sup> /G-CM <sup>2</sup> )	Motor Weight (Lbs.)
HT34-485	1	3.11	650	8	1.8	3.2	4.3	0.76	5.2	7.8/1400	6.18
	2	↓	650	↓	↓	1.6	8.6	0.19	1.3	↓	↓
	3	↓	455	↓	↓	2.24	6.0	0.38	1.3	↓	↓
HT34-486	1	4.63	1200	↓	↓	4.4	4.1	1.08	8.8	14.6/2680	8.4
	2	↓	1200	↓	↓	2.2	8.1	0.27	2.2	↓	↓
	3	↓	840	↓	↓	3.1	5.7	0.54	2.2	↓	↓
HT34-487	1	6.14	1845	↓	↓	4.8	4.5	1.08	9.6	21.9/4000	11.9
	2	↓	1845	↓	↓	2.4	9.0	0.27	2.4	↓	↓
	3	↓	1290	↓	↓	3.4	6.3	0.54	2.4	↓	↓

**OTHER LENGTHS AND WINDINGS AVAILABLE UPON REQUEST**

- Part numbers listed are for single shaft. To order double shaft add 'D' to the end.
- All HT34 motors are optimized for microstepping.



Sold &amp; Serviced By:



Toll Free Phone: 877-378-0240

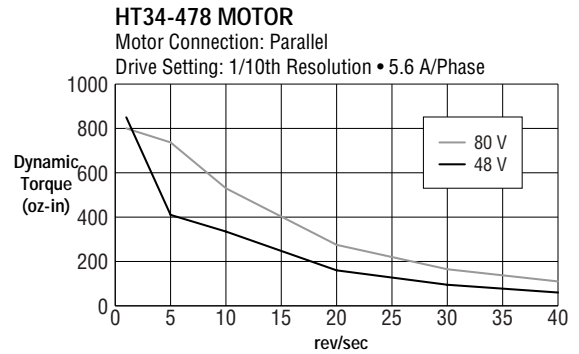
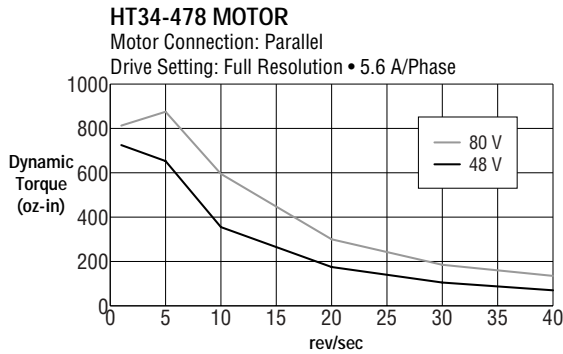
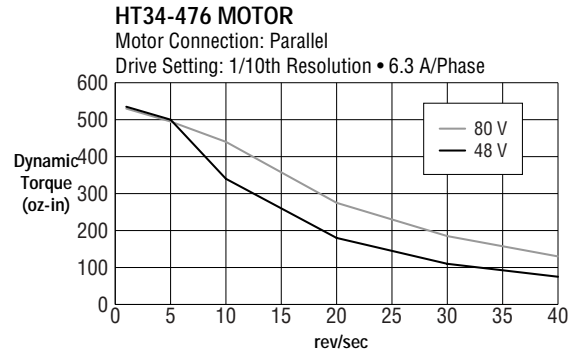
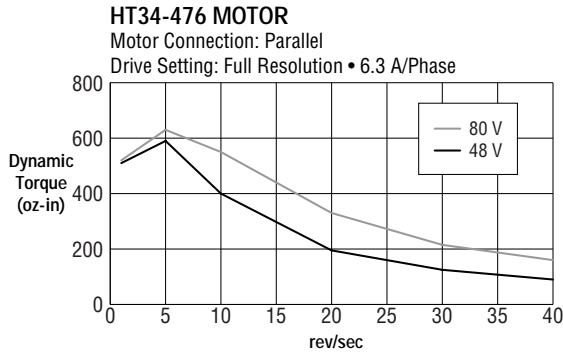
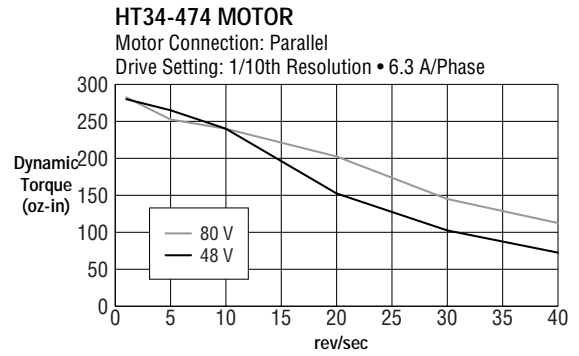
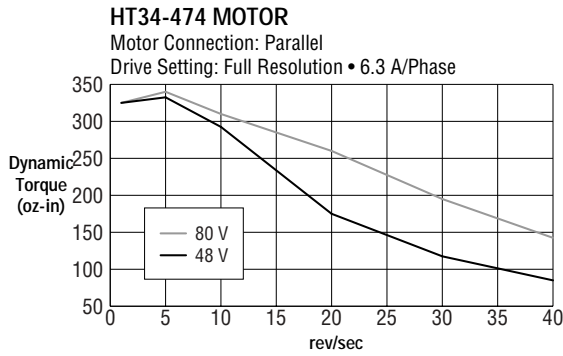
Toll Free Fax: 877-378-0249

sales@servo2go.com

www.servo2go.com

# Size HT34 Motor

## Typical Speed/Torque Performance



Sold &amp; Serviced By:



Toll Free Phone: 877-378-0240

\*Full steps/sec = Rev/sec x 200. Half steps/sec = Rev/sec x 400

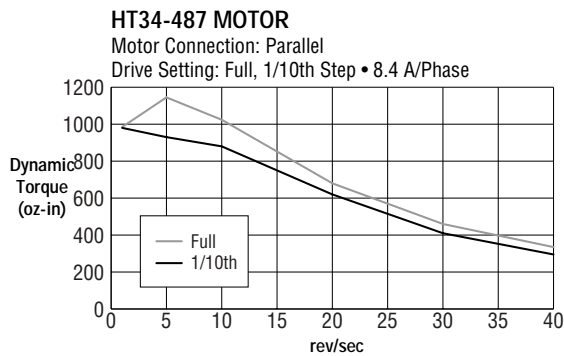
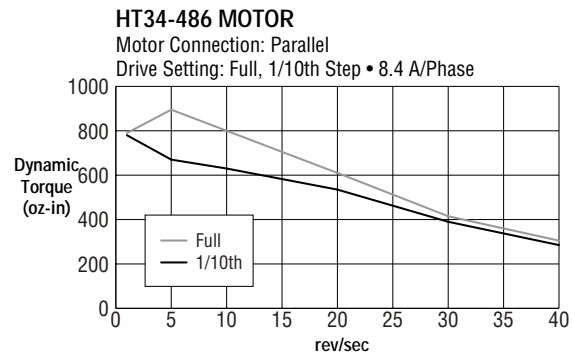
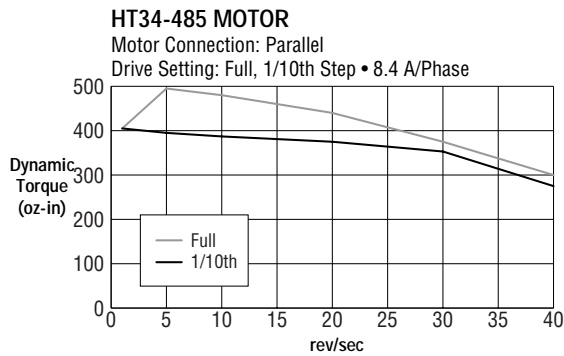
Toll Free Fax: 877-378-0249

sales@servo2go.com

www.servo2go.com

# Size HT34 Motor

## Typical Speed/Torque Performance



Sold & Serviced By:



Toll Free Phone: 877-378-0240

Toll Free Fax: 877-378-0249

sales@servo2go.com

www.servo2go.com

\*Full steps/sec = Rev/sec x 200. Half steps/sec = Rev/sec x 400