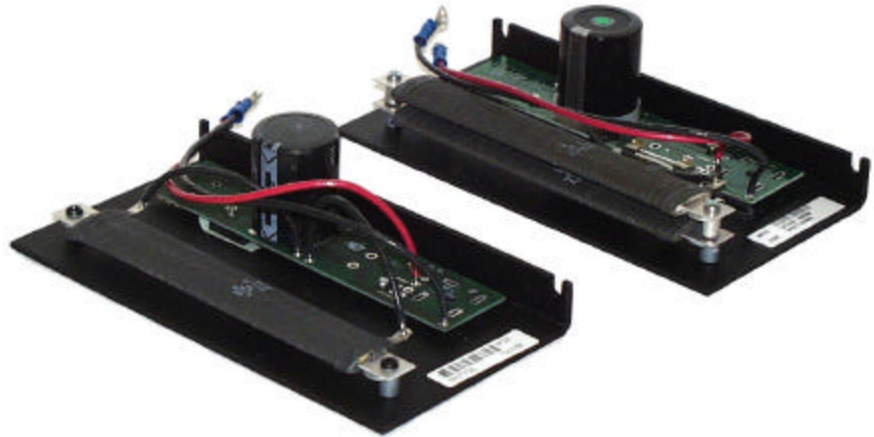


SERIES SRST SHUNT-REGULATORS

Models: SRST50, SRST70, SRST80, SRST 90*, SRST135, SRST175, SRST185, SRST380, SRST400

FEATURES:

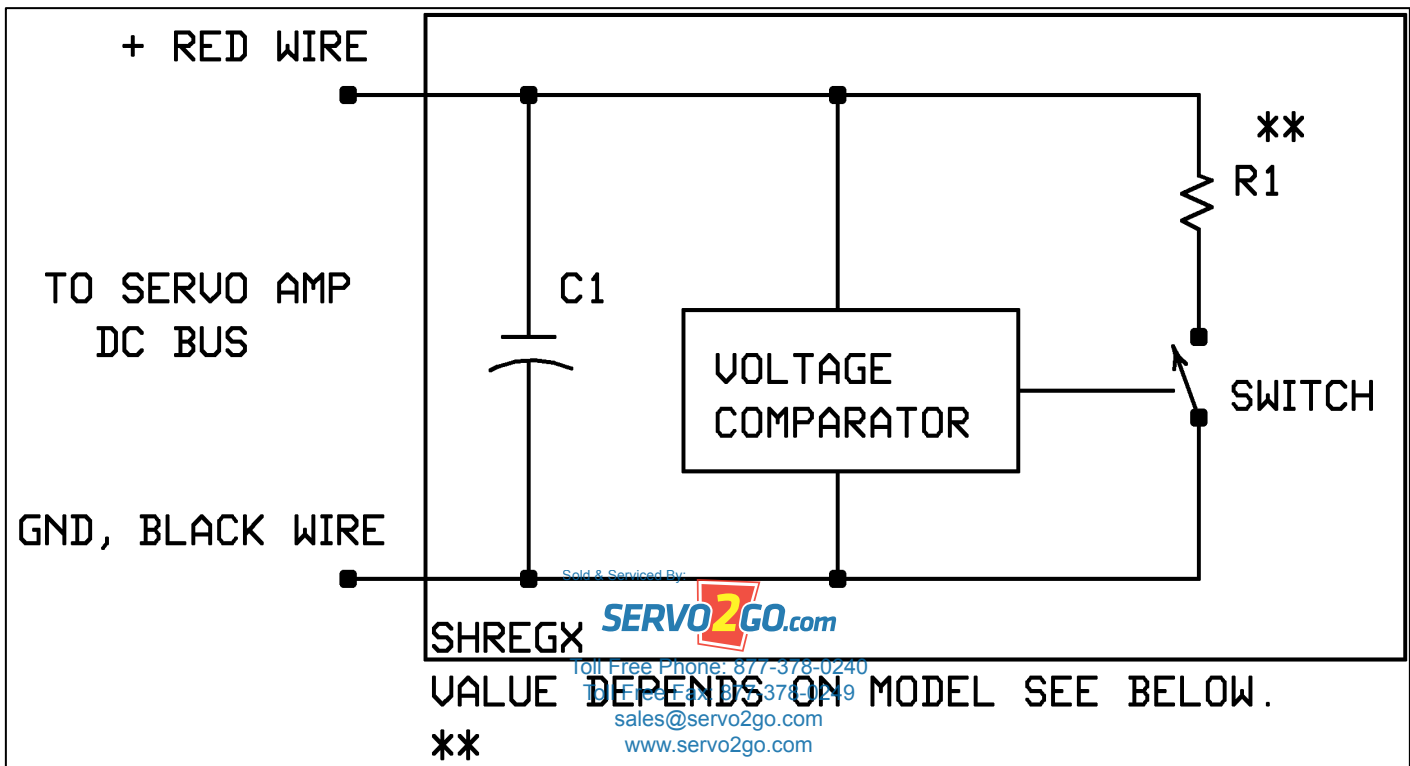
- Dissipates excess kinetic or potential energy to prevent amplifier over voltage shut down
- Small size, low cost, ease of use
- Agency approvals:



SRST175

SRST400

BLOCK DIAGRAM:



DESCRIPTION: The SRST Series shunt-regulator assemblies are designed to work with *ADVANCED MOTION CONTROL'S* four quadrant regenerative servo amplifiers. During braking most of the stored mechanical energy is fed back into the power supply, which charges the output capacitor to a higher voltage. If the charge reaches the amplifier's over-voltage shutdown point, motor control and braking will cease. To ensure smooth braking of large inertial loads the use of a shunt-regulator is recommended. Verify the need for a shunt regulator by operating the servo under the worst case braking condition. If the amplifier shuts off due to over-voltage (blinking red LED) a shunt regulator is necessary (typically during downward move or deceleration).

OPERATION: When the DC bus reaches the shunt voltage of the shunt-regulator assembly, the voltage comparator unit turns on the electronic switch, which connects the R1 power resistor across the DC bus. This power resistor dissipates the energy from the DC bus. After the bus voltage is reduced to less than the shunt voltage setting the resistor is disconnected from the bus. A small hysteresis loop allows time between switching. The SRST assemblies are available with standard shunt voltages of 50, 70, 80, 90, 135, 175, 185, 380 and 400 Volts.

Models SRST50, 70, 80, 90, 135, 175, 185 are designed for use with our 200 Volt amplifiers. These models have a 200VDC, 1200µ F filter capacitor in them.

Models SRST380 and SRST400 are designed for use with our 400-Volt amplifiers. These models have a 450 VDC, 330µF filter capacitor in them. Contact factory for custom trip voltages.

SPECIFICATIONS	FOR SHUNT VOLTAGES UNDER 200 V	FOR SHUNT VOLTAGES OVER 200 V
FUUSE	3 A Motor Delay rated @ 250 VAC	
FILTER CAPACITANCE	1200 µF	330 µF
DISIPATION CAPABILITIES	95 W	190 W
RESISTANCE	5 Ω	20 Ω
SIZE	8.00 x 4.25 x 2.63** inches 203.2 x 108.0 x 66.7** mm	8.00 x 4.25 x 2.13** inches 203.2 x 108.0 x 54.0** mm
WEIGHT	.32 lbs. .14 Kg.	.46 lbs. .21 Kg.

* Contact factory regarding UL recognition.

** Worst-case height dimension. Height based on output voltage. See mounting dimensions for additional details.

MOUNTING DIMENSIONS: See following page.

Sold & Serviced By:



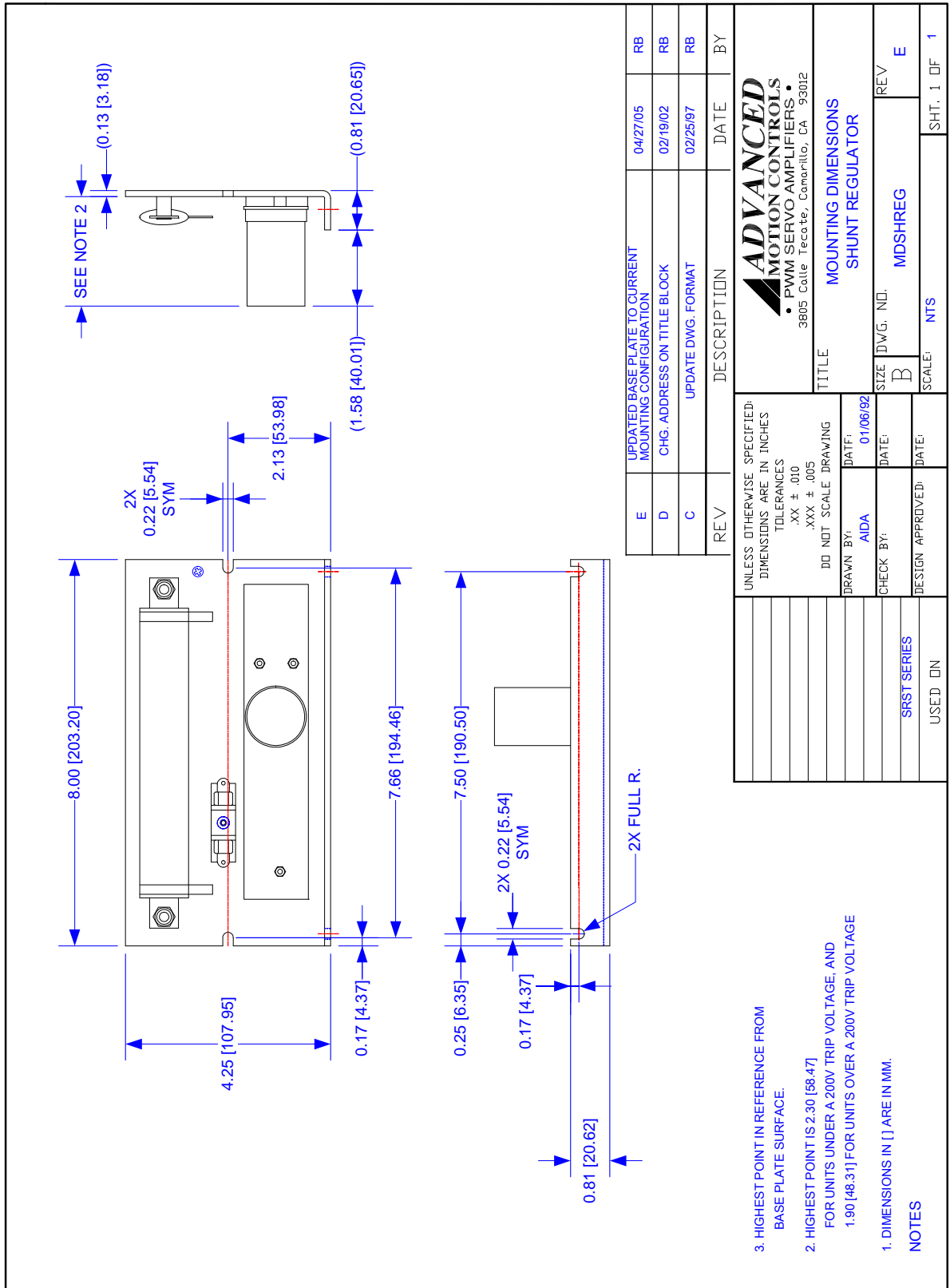
Toll Free Phone: 877-378-0240

Toll Free Fax: 877-378-0249

sales@servo2go.com

www.servo2go.com

Mounting Dimensions



- 3. HIGHEST POINT IN REFERENCE FROM BASE PLATE SURFACE.
 - 2. HIGHEST POINT IS 2.30 [58.47] FOR UNITS UNDER A 200V TRIP VOLTAGE, AND 1.90 [48.31] FOR UNITS OVER A 200V TRIP VOLTAGE
 - 1. DIMENSIONS IN [] ARE IN MM.
- NOTES

E	UPDATED BASE PLATE TO CURRENT MOUNTING CONFIGURATION	04/27/05	RB
D	CHG. ADDRESS ON TITLE BLOCK	02/19/02	RB
C	UPDATE DWG. FORMAT	02/25/97	RB
REV	DESCRIPTION	DATE	BY

UNLESS OTHERWISE SPECIFIED: DIMENSIONS ARE IN INCHES
TOLERANCES
.XX ± .010
.XXX ± .005
DO NOT SCALE DRAWING

DRAWN BY: AIDA DATE: 01/06/92

CHECK BY: DATE:

DESIGN APPROVED: DATE:

SRST SERIES USED ON

ADVANCED MOTION CONTROLS
• PWM SERVO AMPLIFIERS •
3805 Calle Tecate, Comarillo, CA 93012

TITLE: MOUNTING DIMENSIONS
SHUNT REGULATOR

SIZE: DWG. NO. B REV

SCALE: NTS MDSHREG E

SHT. 1 OF 1