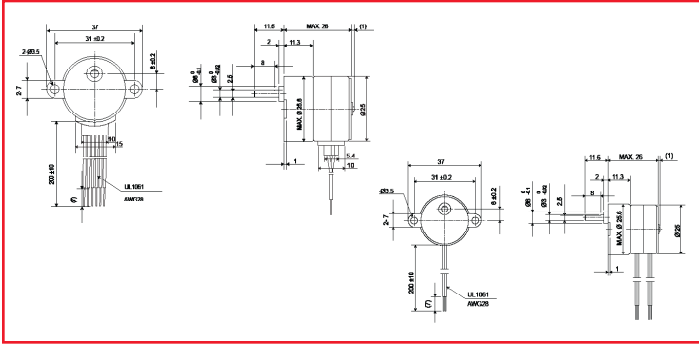
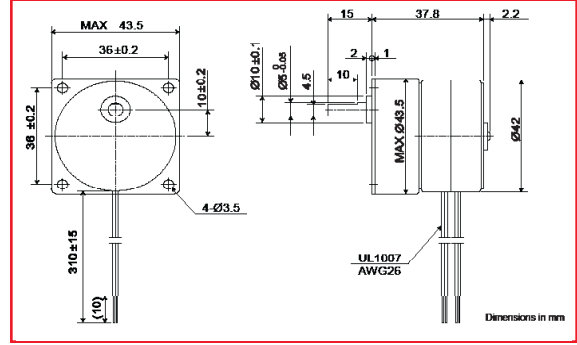


PF(C)25 w/P Gearhead



Gear Ratio	6/25	1/5	3/25	1/10	2/25	1/15	3/50	1/20
Maximum Torque	20mN-m				50mN-m			
Gear Ratio	1/25	1/30	1/50	1/60	1/75			
Maximum Torque	20mN-m							
Gear Ratio	1/100	1/120	1/125	1/150	1/200	1/250	1/300	
Maximum Torque	100mN-m							

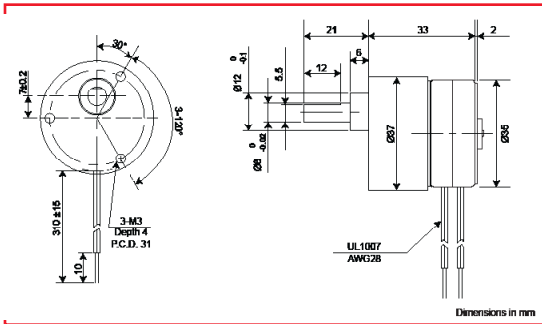
PF(C)42/42H/42T w/H Gearhead



Gear Ratio	6/25	1/5	3/25	1/10	2/25	1/15	1/20	1/25
Maximum Torque	200mN-m				250mN-m			
Gear Ratio	1/30	1/50	1/60	2/125	1/75			
Maximum Torque	300mN-m							
Gear Ratio	1/100	1/120	1/125	1/150	1/200	1/300		
Maximum Torque	400mN-m							

	L
PF42/PFC42H	37.8
PF42T/PFC42T	31

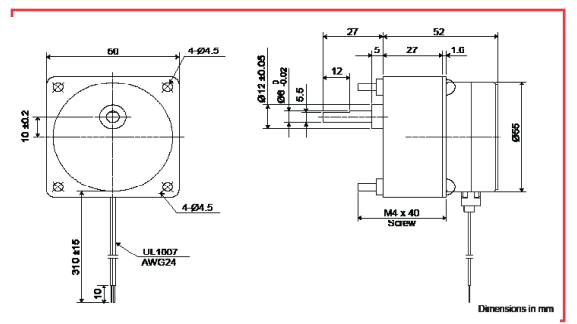
PF35/35T w/M Gearhead



	L
PF35	19.1
PF35T	13.5

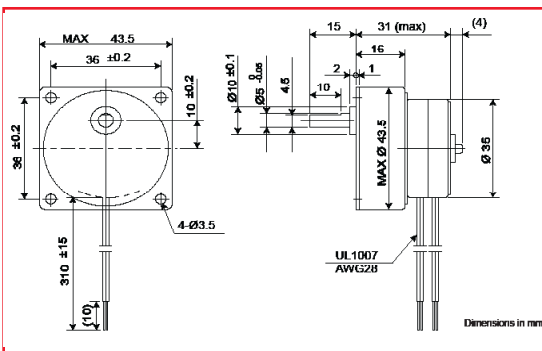
Gear Ratio	1/5	1/6	1/10	1/18	1/30				
Maximum Torque	100mN-m			200mN-m					
Gear Ratio	1/40	1/50	1/60	1/75	1/90	1/100	1/120		
Maximum Torque	300mN-m								
Gear Ratio	1/125	1/150	1/180	1/200	1/270	1/300			
Maximum Torque	600mN-m								

PF(C)55/55H w/F Gearhead



Gear Ratio	6/25	1/5	3/25	1/10	2/25	1/15	3/50	1/20
Maximum Torque	400mN-m							
Gear Ratio	1/25	1/30	1/50	1/60				
Maximum Torque	700mN-m							
Gear Ratio	2/125	1/75	3/250	1/100	1/125	1/150	1/250	1/300
Maximum Torque	1000mN-m							

PF35/35T w/H Gearhead

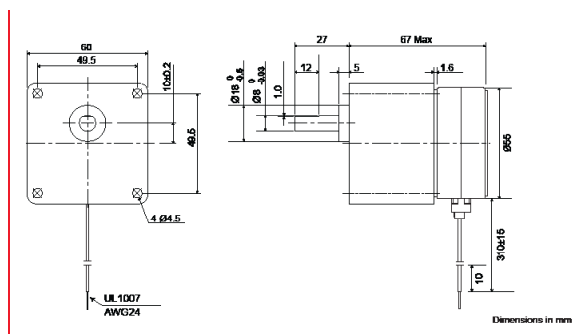


	L
PF35	36.6
PF35T	31

Gear Ratio	6/25	1/5	3/25	1/10	2/25	1/15	3/50	1/20	1/25
Maximum Torque	200mN-m				250mN-m				
Gear Ratio	1/30	1/50	1/60	2/125	1/75				
Maximum Torque	300mN-m								
Gear Ratio	1/100	1/120	1/125	1/150	1/200	1/300			
Maximum Torque	400mN-m								

PF(C)55/55H w/F(BB) Gearhead

F(BB) gearhead provides ball-bearing support for all stages, ensuring long service life.



Gear Ratio	1/3	1/5	2/15	1/10	2/25	1/15	1/20	
Maximum Torque	400mN-m	500mN-m		600mN-m	800mN-m			
Gear Ratio	1/25	1/30	1/50	1/60				
Maximum Torque	700mN-m							
Gear Ratio	1/100	1/120	1/125	1/150	1/180			
Maximum Torque	2500mN-m							

Reduction Ratio	L
1/3 to 1/15	32
1/20 to 1/180	42

Sold & Serviced By:
SERVO2GO.com
 Toll Free Fax: 877-378-0249
 sales@servo2go.com
 www.servo2go.com