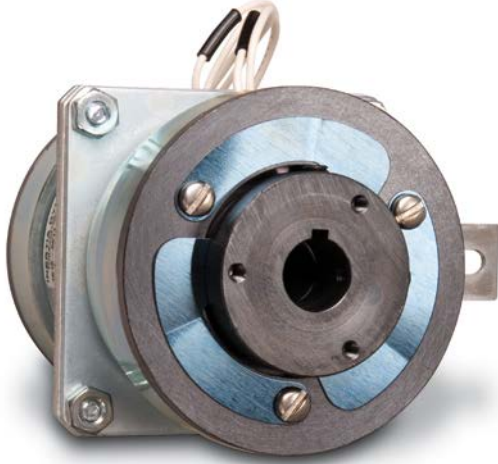


## Shaft Mounted Clutch/Power-On Brake – Type SLB & SOB



### SLB & SOB SERIES POWER-ON BRAKES

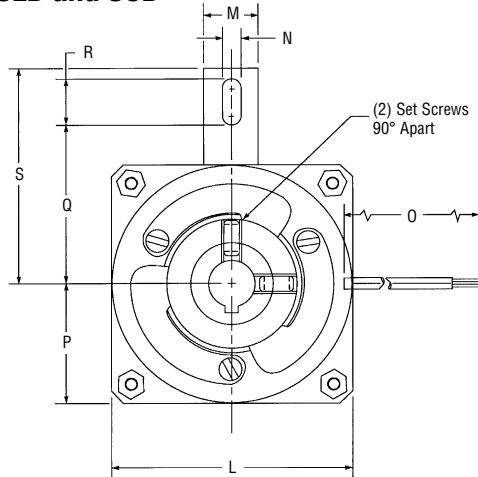
#### Shaft Mounted Clutch Brakes – Type SLB & SOB

The SLB and SOB series are shaft mounted clutch/power-on brake packages that are used to couple two parallel or in-line shafts. The clutch/brake package combines the features of our model SL or SO with an FB into one unit for easy installation. The clutch armature hub accommodates a pulley, gear, sprocket, etc., to transmit torque to the second shaft. The brake is used to stop or hold the load. The clutch/brake package is shaft mounted and retained by a loose-fitting pin or bracket through the anti-rotation tab.

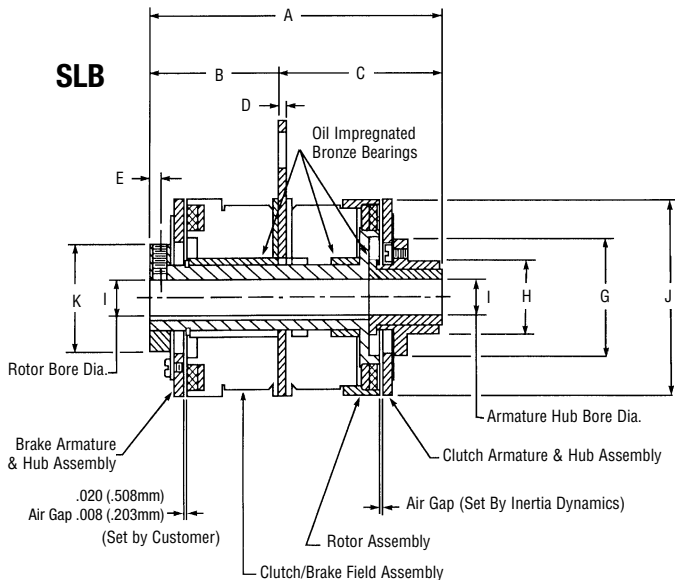
#### Customer Shall Maintain:

A loose-fitting pin through the anti-rotation tab to prevent preloading the bearings; initial air gap setting of .008-.020 inches (.203-.508mm) on the brake side. On SOB models concentricity between the shafts within .005 (.127mm) T.I.R.

#### SLB and SOB



#### SLB



#### SOB

