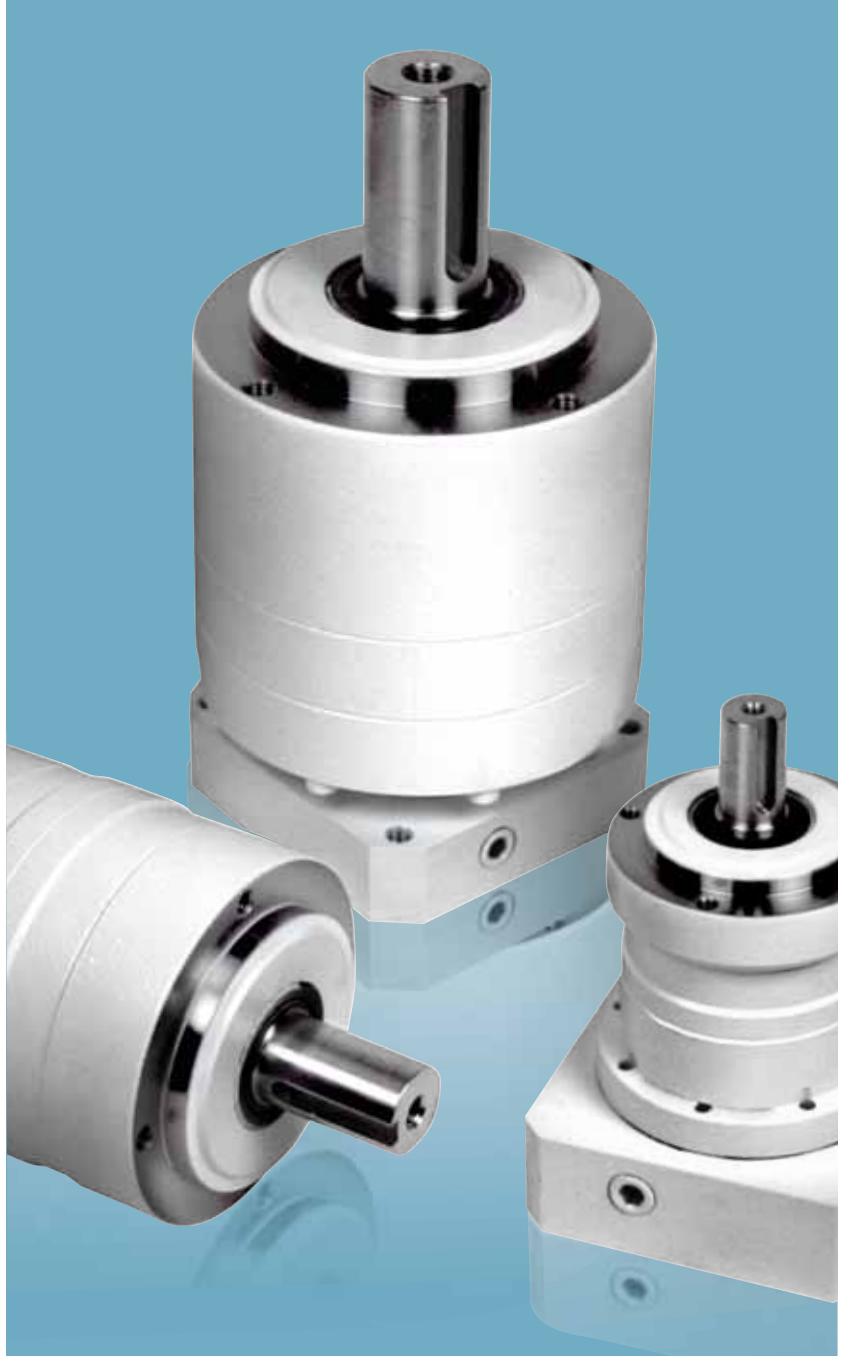




## ABLE Washdown and Food Duty Reducers



***High Precision Gear Solutions for the Extreme***

Sold & Serviced By:



Toll Free Phone: 877-378-0240

Toll Free Fax: 877-378-0249

[sales@servo2go.com](mailto:sales@servo2go.com)

[www.servo2go.com](http://www.servo2go.com)

**NIDEC-SHIMPO CORPORATION**

# ABLE Washdown and Food Duty Reducers

Motion control applications for production environments within the Food and Beverage, Personal Care, and Pharmaceutical industries often require materials of construction and sealants that provide higher levels of protection. To improve our product offering to these customers, NIDEC-SHIMPO is now offering Washdown and Food Grade à la carte options for our inline and right-angle planetary reducers. These options provide ultimate flexibility without sacrificing on precision and performance.

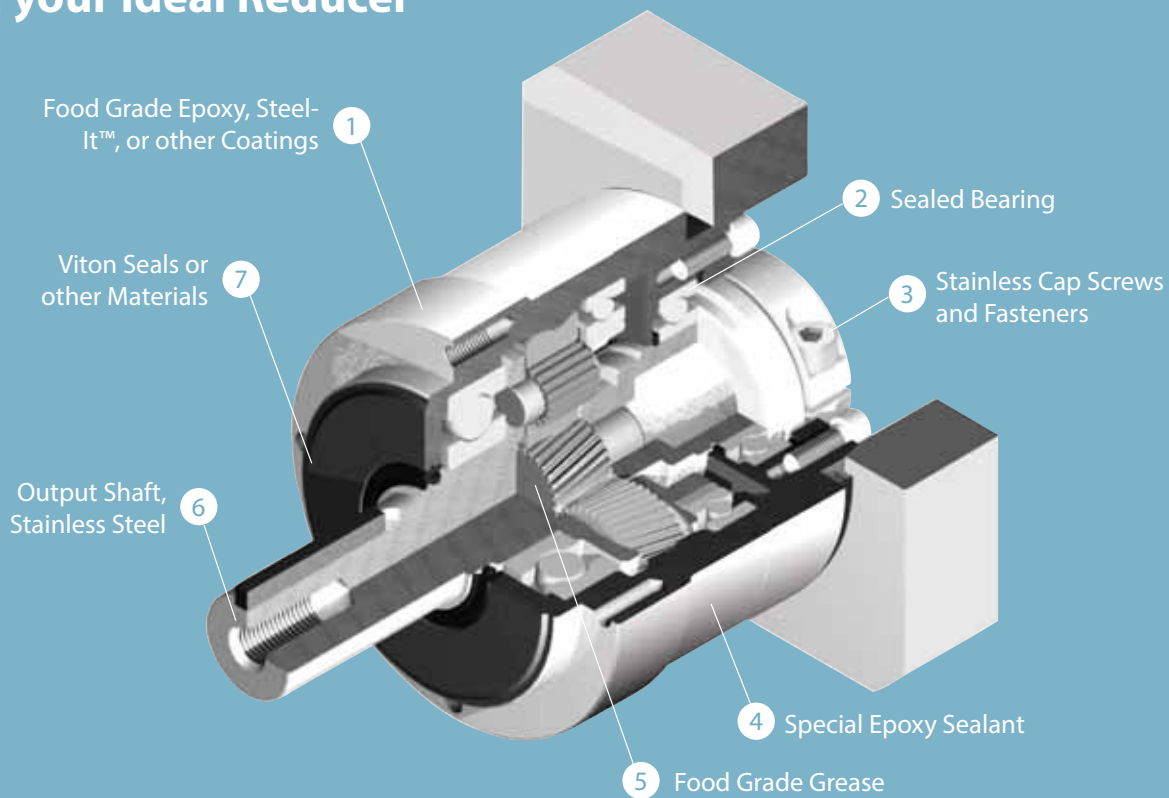
## Upgradeable Features include the following;

- Special coatings, including Food Grade white epoxy, Steel-It, among others
- Sealed bearing, and Viton seal at output
- Stainless steel screws, fasteners, etc.
- Special sealant for better resistance to solvents
- Stainless steel output shaft
- Food Grade grease for exposure sensitive environments

Note:

For Food Grade grease, special consideration is required when sizing the reducer. Contact NIDEC-SHIMPO for support on these applications.

## Build your Ideal Reducer



### Immediate Availability for these Models:

Series	VRL		
Frame Size	070	090	120
1-Stage	3, 5, 7, 10:1		
2-Stage	15, 25, 28, 30, 35, 50, 70, 100:1		

Series	VRB		
Frame Size	060	090	
1-Stage	3, 5, 7, 10:1		
2-Stage	15, 25, 28, 30, 35, 50, 70, 100:1		

VRL and VRB inline frame sizes and ratios can be quickly assembled with the Washdown and Food Grade options. Small quantity orders will be tested, assembled, and shipped within 2 – 4 days. For all other VRL, VRB, VRS inline series and EVL, EVB, EVS right-angle series frame size and ratio combinations, please contact SHIMPO for price and availability from our main manufacturing facility.

Sold & Serviced By:

Toll Free Phone: 877-378-0240

Toll Free Fax: 877-378-0249

sales@servo2go.com

www.servo2go.com

There are many Washdown and Food Grade features that can be added to your reducer. Below is an explanation on the model code, when specifying a reducer with the ideal performance and protection for your application.

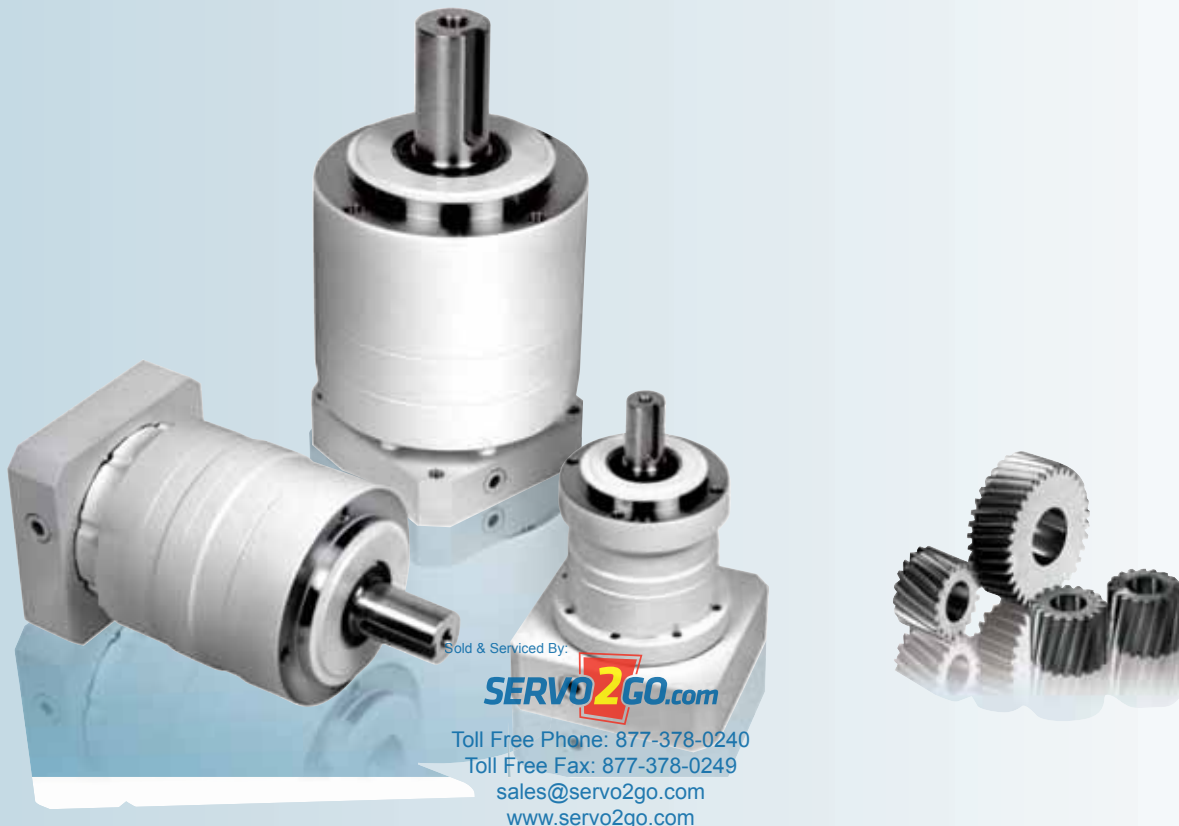
**Model Code:**

<b>VRB</b>	<b>090</b>	<b>007</b>	<b>K</b>	<b>3</b>	<b>19HB16</b>	<b>XV</b>
Series	Frame Size	Ratio	Output shaft style	Backlash	Adapter code	Washdown, Food Grade Options

Order Code	Description of Features	
<b>X</b>	<b>V</b>	<b>Food Grade Grease; Food Grade White Epoxy; IP 65; SS shaft</b>
-		Standard Grease; Standard Paint
<b>W</b>		Standard Grease; Food Grade White Epoxy
<b>S</b>		Standard Grease; Steel - It™
<b>F</b>		Food Grade Grease; Standard Paint
<b>X</b>		Food Grade Grease; Food Grade White Epoxy
<b>G</b>		Food Grade Grease; Steel - It™
	-	Standard Protection; Standard Shaft, Fasteners
	I	Standard Protection; Stainless Steel Shaft, Fasteners
	V	IP65 Protection; Stainless Steel Shaft, Fasteners

As the global marketplace becomes increasingly competitive, NIDEC-SHIMPO continues to raise the bar in terms of product quality, flexibility, and availability – providing a real value to our customers. Our new Washdown and Food duty reducers serve as another good example where NIDEC-SHIMPO is delivering improved value to our customers.



Sold & Serviced By:

**SERVO2GO.com**

Toll Free Phone: 877-378-0240

Toll Free Fax: 877-378-0249

sales@servo2go.com

www.servo2go.com

# Improving the Speed of Industry

## Servo Motor Planetary Gear Reducers



ABLE Inline Series



ABLE Right Angle Series



ABLE with Rotary Stage

## Mechanical Adjustable Speed Drives



Standard Ringcone



Ringcone Motor Assembly

## Industrial Duty Speed Reducers



Circulute Cycloidal Reducer



Circulute with Servo Input



Circulute Pulley Style

**Nidec**

NIDEC-SHIMPO CORPORATION

Sold & Serviced By:

**SERVO2GO.com**

Toll Free Phone: 877-378-0240

Toll Free Fax: 877-378-0249

sales@servo2go.com

www.servo2go.com