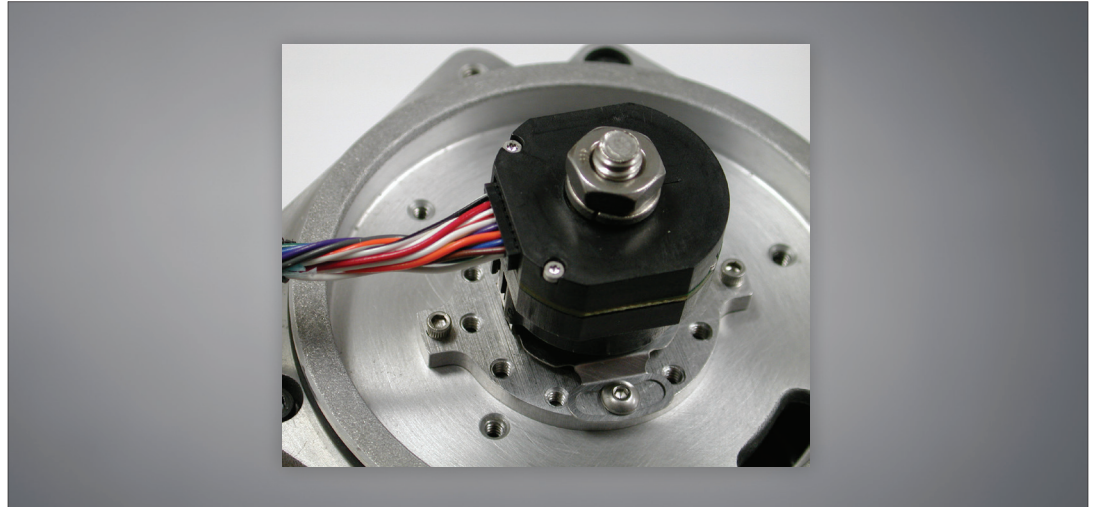


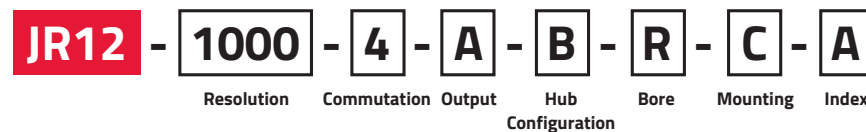
JR12

DESIGN FEATURES

- Replaces size 15 pancake resolver
- Bearing design simplifies encoder attachment
- Resolutions up to 20,000 lines per revolution
- 4, 6 or 8 pole commutation
- Eliminates expensive mounting servo clamps
- Accommodates resolver type ¼" threaded shafts
- High noise immunity
- Cost competitive with modular encoders
- 500 kHz frequency response
- RoHS construction



Quantum Devices, Inc. Model JR12 provides an improved feedback solution in applications typically using pancake resolvers with same threaded shaft and jam nut mounting. With an overall height of less than one inch and the stability of a bearing encoder design, the model JR12 can provide significant performance upgrades in applications limited by traditional resolvers or modular encoder solutions. Output options consist of a quadrature with index pulse and three-phase commutation. A flexible member allows for much greater tail shaft run out and TIR than can be tolerated by modular encoder designs, plus the mounting flange eliminates the need for expensive servo mounting clips.



Configuration Options:

Resolution*	Commutation	Output	Hub Configuration	Bore Size	Mounting	Index
24*, 256, 360, 500, 512, 1000, 1024, 1250, 2000, 2048, 2500, 4000, 4096, 5000, 8192, 10000, 16384, 20000	0 = 0 4 = 4 Pole 6 = 6 Pole 8 = 8 Pole	A = RS422 (TTL) B = oc UVW	B = Hole in Cover	R = .250"	C = SS 1.280" Flex	A = Gated to AB, 90deg

*24 PPR only available 0 poles

Sold & Serviced By:

SERVO2GO.com

Toll Free Phone: 877-378-0240

Toll Free Fax: 877-378-0249

sales@servo2go.com

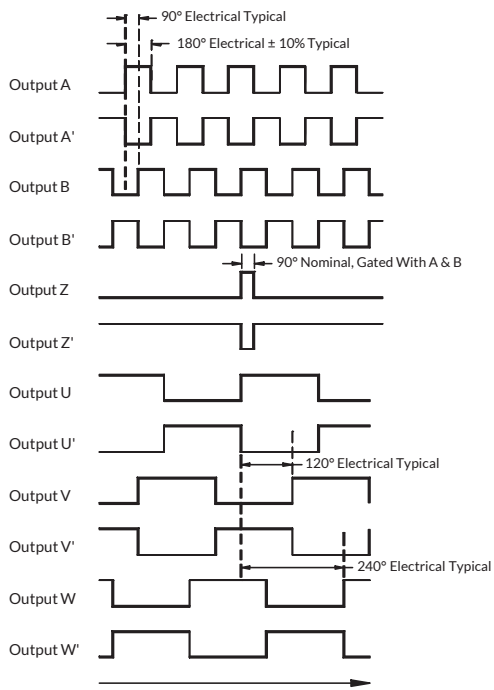
www.servo2go.com

ISO 9001

CERT. NO. FM 52711

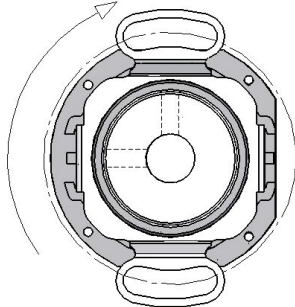
* Consult Factory for Configurations Not Shown

OUTPUT WAVEFORMS



Clockwise Shaft Rotation as Viewed Looking at the Encoder Face.
See figure below

CW Rotation for Output Waveforms



ELECTRICAL SPECIFICATIONS

Input Voltage	5 VDC \pm 5%
Input Current Requirements	65mA typ., 100mA max plus interface loads
Input Ripple	2% peak to peak @ 5 VDC
Output Circuits	(A) 26C31 RS 422A line driver (TTL compatible) (B) ABZ line driver, UVW open collector (No U' V' W')
Incremental Output Format	Quadrature with A leading B for CW rotation. Index pulse true over A and B high.
Frequency Response	500 kHz
Symmetry	180 Degrees \pm 10% typical
Minimum Edge Separation	<4000PPR = 54 electrical degrees \geq 4000PPR = 45 electrical degrees
Commutation Format	Three phase 4, 6 or 8 poles
Commutation Accuracy	\pm 1° mechanical
Z channel to U channel	\pm 1° mechanical

ENVIRONMENTAL SPECIFICATIONS

Storage Temperature	-40 to 125° C
Operating Temperature	-20 to 115° C
IP Rating	40
Humidity	90% Non-condensing
Vibration	20 g's @ 50 to 500 CPS
Shock	50 g's @ 11mS duration

MECHANICAL SPECIFICATION

Through Shaft Diameter	0.250" tolerance: -0.0000, +0.0010"
Radial Shaft Movement	0.007" TIR
Axial Shaft Movement	\pm 0.030"
Maximum Shaft Speed	8000 RPM, Contact Customer Service for higher RPM
Interface Connector	Connector: JAE P/N F1-W15P-HFE
Mounting	Size 15 pancake resolver
Moment of Inertia	9.1×10^{-5} oz-in-S ²
Acceleration	1×10^5 Radians/S ²
Accuracy	Instrument error 1.5 arc min. max

15 PIN CONNECTOR JAE P/N: F1-W15P-HFE

Pin Number	Function
1	A
2	A-
3	B
4	B-
5	Z
6	Z-
7	U
8	U-*
9	V
10	V-*
11	W
12	W-*
13	Vcc
14	GND
15	Open

* U-, V- and W- not present for open collector UVW electrical option.
Sold & Serviced By:

SERVO2GO.com

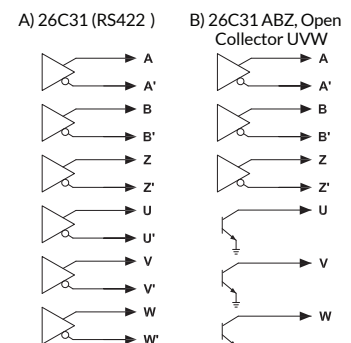
Toll Free Phone: 877-378-0240

Toll Free Fax: 877-378-0249

sales@servo2go.com

www.servo2go.com

ELECTRICAL OUTPUT CIRCUITS



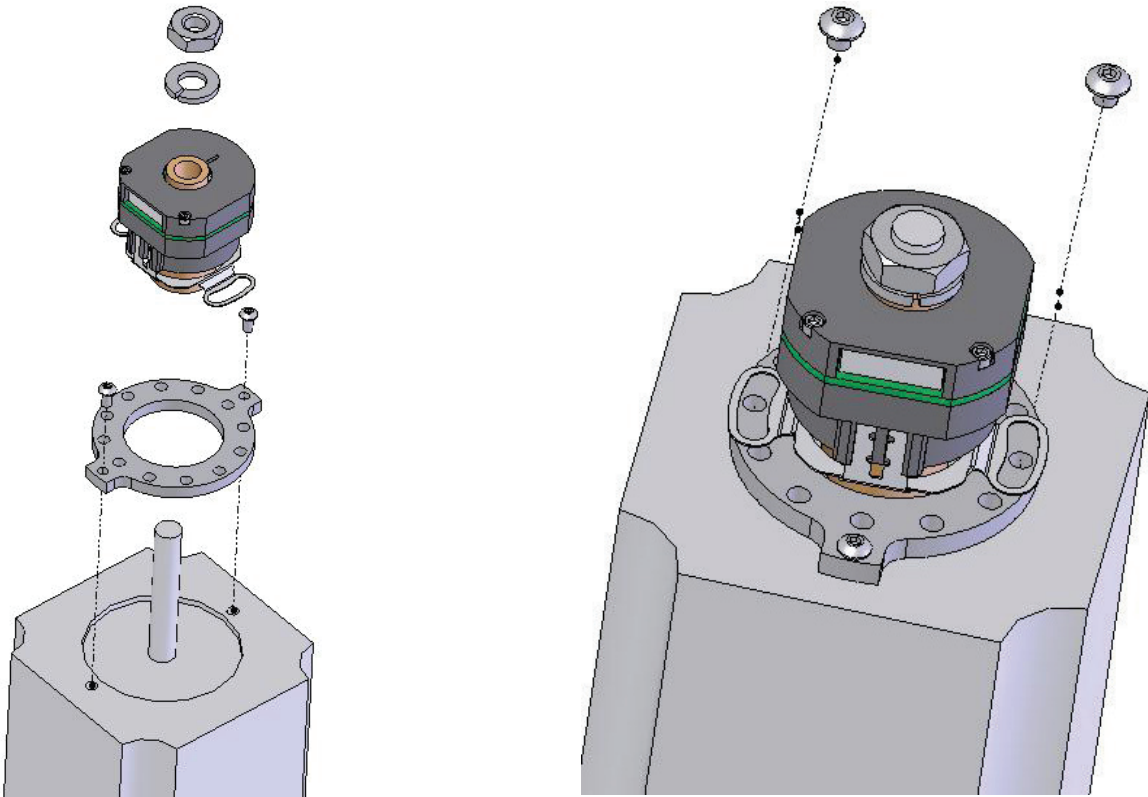
- 26C31 sink/source current (max) = 20ma (meets RS-422 at 5vdc supply).
- Open collector sink current (max) = 30ma.
- Open collector pull up voltage (max) = 30vdc.

*Quantum Devices, Inc. reserves the right to make changes in design, specifications and other information at any time without prior notice.

**Quantum
Devices**

MOUNTING

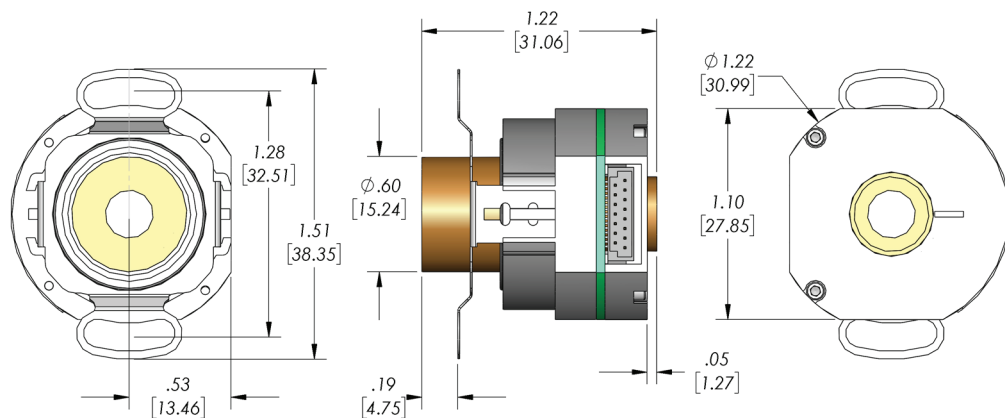
Motor resolver pocket to be same depth as motor shaft shoulder used as a mounting stop for the encoder, .062" (+/-0.025") below motor rear face.



Install resolver adapter with 2-56 socket head screws. Slide encoder over 1/4" threaded shaft and secure with lock washer and jam nut to a torque of 40 – 60 in-lbs. Use thread lock or second jam nut if additional retention is required. Install (2) 4-40 button head screws to encoder flex mount to secure encoder body.

DIMENSIONS

JR12 JAM NUT MOUNT .250" BORE



Sold & Serviced By:

SERVO2GO.com

*Quantum Devices, Inc. reserves the right to make changes in design, specifications and other information at any time without prior notice.

Toll Free Phone: 877-378-0240

Toll Free Fax: 877-378-0249

sales@servo2go.com

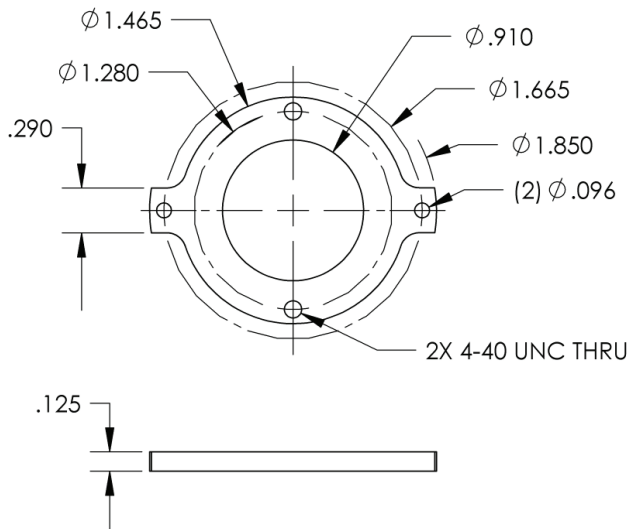
www.servo2go.com

**Quantum
Devices**

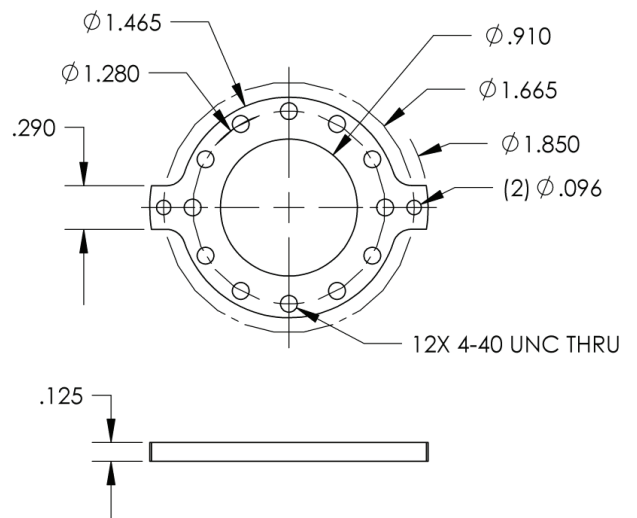
DIMENSIONS

Optional Aluminum Resolver Adapters

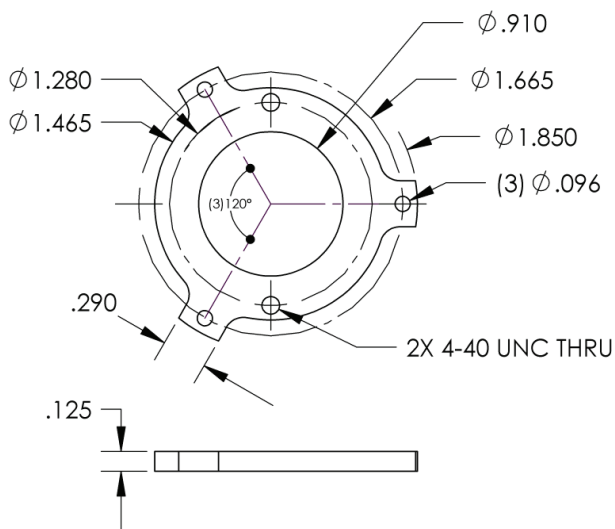
2074D024 – Two Point 30 Degree
Commutation Adjustment Range



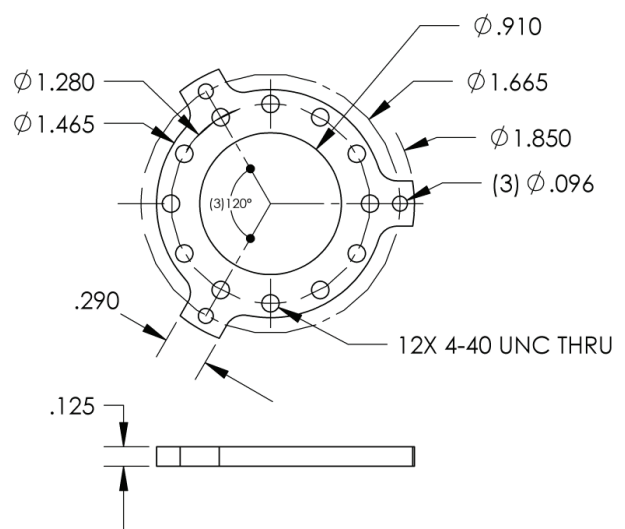
2074D025 – Two Point 360 Degree
Commutation Adjustment Range



2074D026 – Three Point 30 Degree
Commutation Adjustment Range



2074D027 – Three Point 360 Degree
Commutation Adjustment Range



Sold & Serviced By:



*Quantum Devices, Inc. reserves the right to make changes in design, specifications and other information at any time without prior notice.

Toll Free Phone: 877-378-0240

Toll Free Fax: 877-378-0249

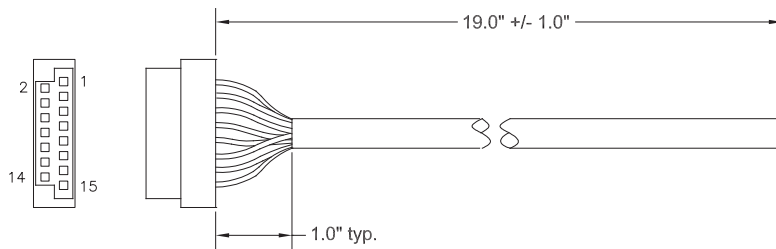
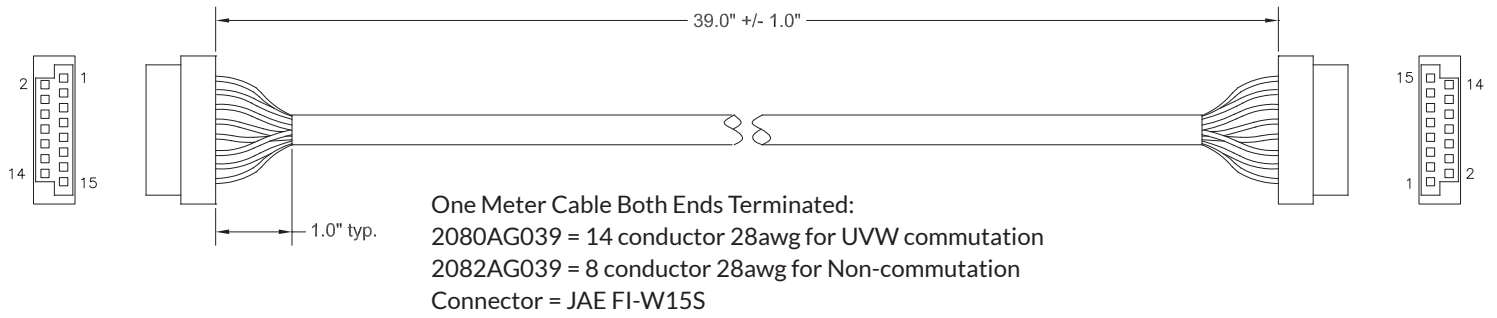
sales@servo2go.com

www.servo2go.com

CABLE OPTIONS

(2080AG039, 2082AG039, 2081AG019, 2083AG019)

Consult Factory for Custom Lengths



Half Meter cable One End Terminated:
 2081AG019 = 14 conductor 28awg for UVW commutation
 2083AG019 = 8 conductor 28awg for Non-commutation
 Connector = JAE FI-W15S

Pin Number	Signal Function	2080AG039 2081AG019 Wire Color	2082AG039 2083AG019 Wire Color
1	A	Brown	Brown
2	A -	White	White
3	B	Blue	Blue
4	B -	Green	Green
5	Z	Orange	Orange
6	Z -	Yellow	Yellow
7	U	Violet	
8	U -	Gray	
9	V	White/Brown	
10	V -	White/Red	
11	W	White/Orange	
12	W -	White/Yellow	
13	Vcc	Red	Red
14	GND	Black	Black
15	No Connect		

Note:

1. Cable has internal foil shield with 28awg drain wire trimmed to jacket edge.
2. Unused wires to be locally isolated from adjacent signal wires, Vcc and GND to prevent damage to encoder signals.

For brushless motors requiring commutation timing:

- Encoder drawings indicate position of encoder hub to encoder body at Z (index). Rotating the hub to this position allows for known U channel transition state, prior to assembling to motor shaft.
- Power appropriate motor windings to lock motor shaft location to match the appropriate U transition, prior to assembly to motor shaft.
- Flex mount screws can be loosened to allow rotation of encoder body. While mechanically back driving the motor, monitor motor winding EMF position to the powered encoder commutation position. Rotate the encoder body to achieve accurate timing of encoder commutation feedback channels to the appropriate motor winding EMF. Mounting slots in encoder flex mount allow for 30 mechanical degrees of rotation. Retighten the flex mount screws.

Sold & Serviced By:

SERVO2GO.com

*Quantum Devices, Inc. reserves the right to make changes in design, specifications and other information at any time without prior notice.

REV. 170627

ISO 9001
CERT. NO. FM 52711

**Quantum
Devices**

Toll Free Phone: 877-378-0240
 Toll Free Fax: 877-378-0249
 sales@servo2go.com
 www.servo2go.com