

## TRUE Planetary™ Gearheads

Sold & Serviced By:

 **ELECTROMATE**

Toll Free Phone (877) SERV098

Toll Free Fax (877) SERV099

[www.electromate.com](http://www.electromate.com)

[sales@electromate.com](mailto:sales@electromate.com)

**MICRON**

Product Overview .....	4	<b>DuraTRUE 90™ (Dual Shaft) Right Angle Gearheads . . .</b>	<b>60</b>
True Planetary Gearheads .....	6	DuraTRUE 90™ Size 60D .....	61
Helical Crowned True Planetary Gearheads .....	7	DuraTRUE 90™ Size 90D .....	62
PowerTRUE™ Right Angle Gearheads .....	8	DuraTRUE 90™ Size 115D .....	63
RediMount™ Motor Mounting System .....	9	DuraTRUE 90™ Size 142D .....	64
Gearhead Selection .....	10	Radial and Axial Load Ratings .....	65
Micron MOTIONEERING® .....	11	<b>ValueTRUE™ True Planetary Gearheads .....</b>	<b>67</b>
<b>AquaTRUE™ True Planetary Gearheads .....</b>	<b>13</b>	ValueTRUE Inline Dimensions .....	68
AquaTRUE™ Introduction .....	14	ValueTRUE Right Angle Dimensions .....	69
AquaTRUE™ Dimensions .....	15	Inline Specifications: VT006-VT010 .....	70
AquaTRUE™ Specifications .....	16	Inline Specifications: VT115-VT022 .....	71
Radial and Axial Load Ratings .....	17	Right Angle Specifications: VTR006-VTR075 .....	72
<b>XTRUE™ True Planetary Gearheads .....</b>	<b>18</b>	Right Angle Specifications: VTR090-VTR010 .....	73
XTRUE™ Introduction .....	19	Right Angle Specifications: VTR115-VTR018 .....	74
XTRUE™ Dimensions .....	20	Radial and Axial Load Ratings .....	75
XTRUE™ Specifications .....	21	<b>UltraTRUE™ Helical True Planetary Gearheads .....</b>	<b>78</b>
Radial and Axial Load Ratings .....	23	UltraTRUE™ Size 60 .....	79
<b>NemaTRUE™ True Planetary Gearheads .....</b>	<b>24</b>	UltraTRUE™ Size 75 .....	80
NemaTRUE™ Size 17 .....	25	UltraTRUE™ Size 90 .....	81
NemaTRUE™ Size 23/60 .....	26	UltraTRUE™ Size 10 .....	82
NemaTRUE™ Size 34/90 .....	27	UltraTRUE™ Size 115 .....	83
NemaTRUE™ Size 42/115 .....	28	UltraTRUE™ Size 14 .....	84
Radial and Axial Load Ratings .....	29	UltraTRUE™ Size 18 .....	85
<b>NemaTRUE 90™ Right Angle Gearheads .....</b>	<b>30</b>	UltraTRUE™ Size 22 .....	86
NemaTRUE 90™ Size 23 .....	31	Radial and Axial Load Ratings .....	87
NemaTRUE 90™ Size 34 .....	32	<b>UltraTRUE 90™ Helical Right Angle Gearheads .....</b>	<b>90</b>
NemaTRUE 90™ Size 42 .....	33	UltraTRUE 90™ Size 60 .....	91
Radial and Axial Load Ratings .....	34	UltraTRUE 90™ Size 75 .....	92
<b>DuraTRUE™ True Planetary Gearheads .....</b>	<b>36</b>	UltraTRUE 90™ Size 90 .....	93
DuraTRUE™ Size 60 .....	37	UltraTRUE 90™ Size 10 .....	94
DuraTRUE™ Size 90 .....	38	UltraTRUE 90™ Size 115 .....	95
DuraTRUE™ Size 115 .....	39	UltraTRUE 90™ Size 14 .....	96
DuraTRUE™ Size 142 .....	40	UltraTRUE 90™ Size 18 .....	97
Radial and Axial Load Ratings .....	41	Radial and Axial Load Ratings .....	98
<b>DuraTRUE 90™ Right Angle Gearheads .....</b>	<b>42</b>	<b>EverTRUE™ True Planetary Gearheads .....</b>	<b>100</b>
DuraTRUE 90™ Size 60 .....	43	EverTRUE™ Size 10 .....	101
DuraTRUE 90™ Size 60S (Slim Line) .....	44	EverTRUE™ Size 14 .....	102
DuraTRUE 90™ Size 90 .....	45	EverTRUE™ Size 18 .....	103
DuraTRUE 90™ Size 90S (Slim Line) .....	46	Radial and Axial Load Ratings .....	104
DuraTRUE 90™ Size 115 .....	47	Gearhead Application Analysis Form .....	106
DuraTRUE 90™ Size 115S (Slim Line) .....	48	Gearhead Ordering Information .....	107
DuraTRUE 90™ Size 142 .....	49		
DuraTRUE 90™ Size 142S (Slim Line) .....	50		
Radial and Axial Load Ratings .....	51		
<b>DuraTRUE 90™ (Hollow Shaft)</b>			
<b>Right Angle Gearheads .....</b>	<b>54</b>		
DuraTRUE 90™ Size 90H .....	55		
DuraTRUE 90™ Size 115H .....	56		
DuraTRUE 90™ Size 142H .....	57		
Radial and Axial Load Ratings .....	58		

Sold &amp; Serviced By:



Toll Free Phone (877) SERV098  
Toll Free Fax (877) SERV099  
[www.electromate.com](http://www.electromate.com)  
[sales@electromate.com](mailto:sales@electromate.com)

**AquaTRUE™****Features**

- Precision: 13 arc-minutes
- Frame Sizes: 60mm, 80mm, 120mm and 160mm
- Torque Capacity: up to 876 Nm
- Ratio Availability: 3:1 thru 10:1
- Radial Load Capacity: up to 3730 N

**XTRUE™****Features**

- Precision: 13 arc-minutes
- Frame Sizes: 40mm, 50mm, 60mm, 70mm, 80mm, 90mm, 120mm and 160mm
- Torque Capacity: up to 876 Nm
- Ratio Availability: 3:1 thru 100:1
- Radial Load Capacity: up to 3730 N

**NemaTRUE™****Features**

- Precision: 13 arc-minutes
- Frame Sizes: 60mm, 90mm and 115mm
- Torque Capacity: up to 180 Nm
- Ratio Availability: 3:1 thru 100:1
- Radial Load Capacity: up to 3730 N

**NemaTRUE 90™  
Right Angle****Features**

- Precision: 13 arc-minutes
- Frame Sizes: 23mm, 34mm and 42mm
- Torque Capacity: up to 255 Nm
- Ratio Availability: 1:1 thru 500:1
- Radial Load Capacity: up to 2900 N

**DuraTRUE™****Features**

- Precision: 8 arc-minutes
- Frame Sizes: 60mm, 90mm, 115mm and 142mm
- Torque Capacity: up to 834 Nm
- Ratio Availability: 3:1 thru 100:1
- Radial Load Capacity: up to 11150 N

**DuraTRUE 90™  
Right Angle****Features**

- Precision: 8 arc-minutes
- Frame Sizes: 60mm, 90mm, 115mm and 142mm
- Torque Capacity: up to 842 Nm
- Ratio Availability: 1:1 thru 500:1
- Radial Load Capacity: up to 11150 N

**DuraTRUE 90™  
Hollow Shaft****Features**

- Precision: 8 arc-minutes
- Frame Sizes: 90mm, 115mm and 142mm
- Torque Capacity: up to 865 Nm
- Ratio Availability: 1:1 thru 500:1
- Radial Load Capacity: up to 11150 N



Sold &amp; Serviced By:

**ELECTROMATE**

Toll Free Phone (877) SERV098

Toll Free Fax (877) SERV099

[www.electromate.com](http://www.electromate.com)[sales@electromate.com](mailto:sales@electromate.com)

## DuraTRUE 90™ Dual Shaft

### Features

- Precision: 8 arc-minutes
- Frame Sizes: 60mm, 90mm, 115mm and 142mm
- Torque Capacity: up to 865 Nm
- Ratio Availability: 1:1 thru 500:1
- Radial Load Capacity: up to 11150 N



## ValueTRUE™

### Features

- Precision: 4 arc-minutes
- Frame Sizes: 60, 75, 90, 100, 115, 140, 180 and 220mm
- Torque Capacity: up to 2969 Nm
- Ratio Availability: 4:1 thru 100:1
- Radial Load Capacity: up to 37910 N



## ValueTRUE 90™ Right Angle

### Features

- Precision: 4 arc-minutes
- Frame Sizes: 60, 75, 90, 100, 115, 140 and 180mm
- Torque Capacity: up to 2800 Nm
- Ratio Availability: 1:1 thru 50:1
- Radial Load Capacity: up to 37910 N



## UltraTRUE™

### Features

- Precision: 4 arc-minutes
- Frame Sizes: 60mm, 75mm, 90mm, 100mm, 115mm, 140mm, 180mm and 220mm
- Torque Capacity: up to 3300 Nm
- Ratio Availability: 4:1 thru 100:1
- Radial Load Capacity: up to 37910 N



## UltraTRUE 90™ Right Angle

### Features

- Precision: 4 arc-minutes
- Frame Sizes: 60mm, 75mm, 90mm, 100mm, 115mm, 140mm and 180mm
- Torque Capacity: up to 3111 Nm
- Ratio Availability: 1:1 thru 50:1
- Radial Load Capacity: up to 37910 N



## EverTRUE™ Continuous Duty

### Features

- Precision: 4 arc-minutes
- Frame Sizes: 100, 140 and 180mm
- Torque Capacity: up to 1010 Nm
- Ratio Availability: 4:1 thru 100:1
- Radial Load Capacity: up to 44600 N



Sold & Serviced By:

 **ELECTROMATE**

Toll Free Phone (877) SERV098

Toll Free Fax (877) SERV099

[www.electromate.com](http://www.electromate.com)

[sales@electromate.com](mailto:sales@electromate.com)

# True Planetary™ Gearheads offer...

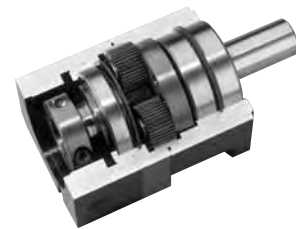
- High Torque to Size Ratio - allows compact design
- Low Backlash - eliminates positioning errors due to lost motion
- Inertia Matching - keeps servo system stable and in control
- High Rigidity - optimizes system response
- Self Re-lubrication - eliminates costly maintenance and downtime
- High Radial Load Capacity - mount pulleys and pinions directly on the output shaft



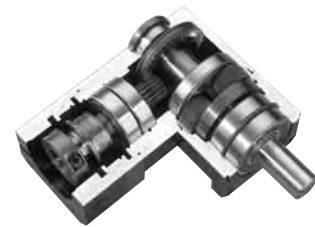
UltraTRUE™ output cage assembly



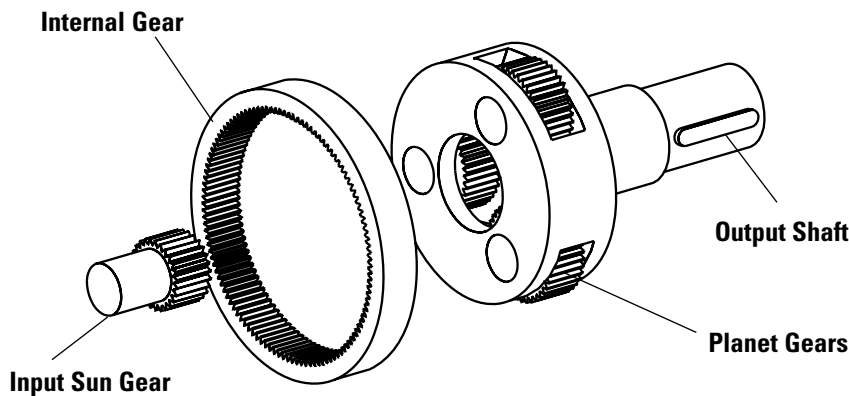
Planetary Gearing



DuraTRUE™ in-line planetary gearhead



DuraTRUE 90™ right angle planetary gearhead



Gearhead	True Planetary gearing
AquaTRUE™	•
XTRUE™	•
NemaTRUE™	•
NemaTRUE 90™	•
DuraTRUE™	•
DuraTRUE 90™	•
UltraTRUE™	•
UltraTRUE 90™	•
ValueTRUE™	•
ValueTRUE 90™	•
EverTRUE™	

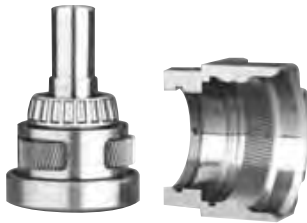
Sold & Serviced By:



Toll Free Phone (877) SERV098  
 Toll Free Fax (877) SERV099  
[www.electromate.com](http://www.electromate.com)  
[sales@electromate.com](mailto:sales@electromate.com)

# Helical Crowned True Planetary™ Gearing offers...

- High Torque Capacity
- Low Backlash
- Smooth Operation
- Greater Load Sharing
- Whisper Quiet



Output housing and helical internal gear are machined from a single piece of high strength steel

Helical gears are known for their quiet and smooth operation along with their ability to transmit higher loads than spur gears. Both of these features of helical gearing result from the improved contact ratio (effective teeth in mesh) over spur gears. Crowning is a modification to the gear tooth profile which optimizes gear mesh alignment. It also enhances distribution of loading on the tooth flank, thereby reducing high stress regions which can result in surface pitting.



UltraTRUE™ in-line planetary gearhead

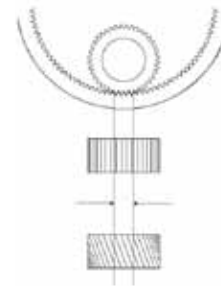
Planetary gearheads are often selected for high precision motion control applications which require a high torque to volume ratio, high torsional stiffness and low backlash. Until now, these attributes have been sufficient to meet the requirements of the market. Thomson has designed a high torque, whisper quiet helical gearhead to meet the recent improvements in servo motor technology.



UltraTRUE 90™ right angle planetary gearhead

Thomson engineers accomplished this by combining the positive attributes of gear crowning and helical gearing with the planetary construction to create the smoothest operating gearhead on the market.

## Spur vs. Helical Gearing

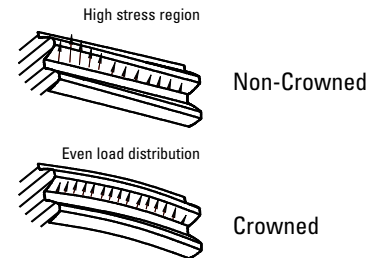


Typical contact ratio is 1.5 for spur gearing.

Contact ratio for equivalent helical gear is 3.3...more than double the contact ratio.

The Contact ratio is defined as the number of teeth in mesh at any given time. The higher the contact ratio, the higher the torque rating of the gearing. **Helical gearing has more than 2X the contact ratio of spur gearing.**

## Crowned vs. Non-crowned



Crowning optimizes the gear mesh alignment within a gear train to increase the torque capacity and reduce noise. It also enhances load distribution on the tooth flank to reduce high stress regions.

Gearhead	Helical Crowned True Planetary gearing
AquaTRUE™	
XTRUE™	
NemaTRUE™	
NemaTRUE 90™	
DuraTRUE™	
DuraTRUE 90™	
UltraTRUE™	•
UltraTRUE 90™	•
ValueTRUE™	•
ValueTRUE 90™	•
EverTRUE™	•

Sold & Serviced By:

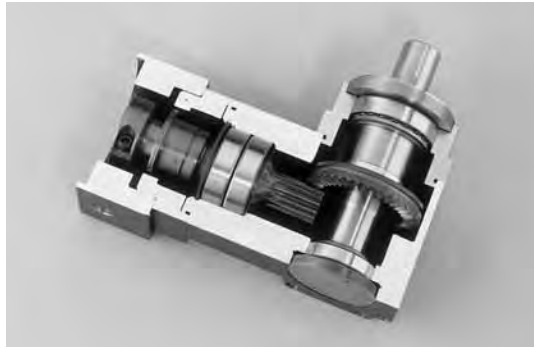


Toll Free Phone (877) SERV098  
 Toll Free Fax (877) SERV099  
[www.electromate.com](http://www.electromate.com)  
[sales@electromate.com](mailto:sales@electromate.com)



# PowerTRUE™ Right Angle Gearheads offer...

- Lower backlash accomplished through single axis mesh adjustment
- A compact right angle design utilizing a high-tech face gear
- Whisper quiet operation due to high contact ratio
- Mesh ratios from 1:1 to 5:1
- 98% efficiency



PowerTRUE™ Gear



Computerized mapping of gear tooth profile



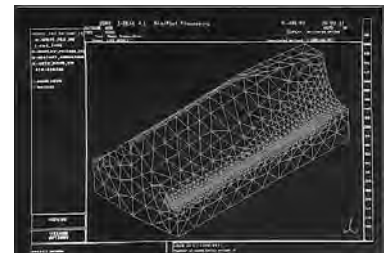
CNC Machining of a PowerTRUE™ right angle gear

## PowerTRUE™ right angle gearset



Right angle gear meshes are typically limited to ratios from 1:1 to 3:1 when using standard bevel gears. Compared to these designs, the PowerTRUE 90 gear increases the ratio range to 5:1.

The key to higher torque density is a unique tooth design, created by complex machining made practical with advanced CNC equipment and software. In the design, multiple teeth in the face gear simultaneously mesh with a standard involute pinion. The continuous tooth engagement yields a high contact ratio between the gear and the pinion, boosting torques to new levels and efficiency to 98%.



Advanced software enables stress analysis of PowerTRUE tooth profile

Gearhead	PowerTRUE gearing
AquaTRUE™	
XTRUE™	
NemaTRUE™	
NemaTRUE 90™	•
DuraTRUE™	
DuraTRUE 90™	•
UltraTRUE™	
UltraTRUE 90™	•
ValueTRUE™	
ValueTRUE 90™	•
EverTRUE™	

# RediMount™ Motor Mounting System

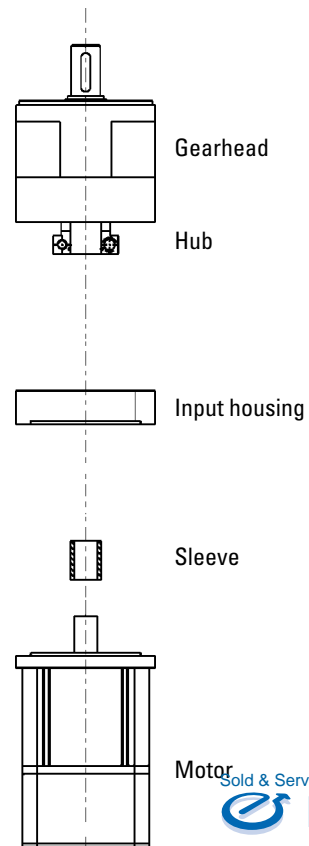
## Mounting Instructions

1. Slide the provided sleeve into the hub and align the slot in the bushing with the slot in the hub.
2. Set the motor on a work surface or hold fixture with the output shaft facing straight up. If there is a key on the motor, remove it and align the keyway with the slot in the hub. Slide the gearhead down onto the motor shaft.
3. Rotate the hub to align the input housing access holes with the hub clamping bolts.
4. Using a torque wrench tighten the hub bolts to the pre-torque value indicated in the table.
5. Bolt the motor to the gearhead with the bolts provided.
6. Gradually tighten the hub bolts in three steps, increasing the torque each time until reaching the final tightening torque in the table.



## Hub Bolt Tightening Torques

Gearhead Model	Gearhead Frame Size	Pre-Tightening Torque		Final Tightening Torque	
		in-lb	[Nm]	in-lb	[Nm]
XTRUE™	60	2	0.2	39	4.4
	80	4	0.4	76	8.5
	120	16	1.8	316	36.0
	160	32	3.6	636	72.0
NemaTRUE™ NemaTRUE 90™	23/60	2	0.2	39	4.4
	34/90	4	0.4	76	8.5
	42/115	16	1.8	316	36.0
DuraTRUE™ DuraTRUE 90™	60	2	0.2	39	4.4
	90	4	0.4	76	8.5
	115	16	1.8	316	36.0
	142	32	3.6	636	72.0
UltraTRUE™ UltraTRUE 90™ ValueTRUE™ ValueTRUE90™ EverTRUE™	60	2	0.2	39	4.4
	75/90	4	0.4	76	8.5
	100/115	16	1.8	316	36.0
	140	32	3.6	636	72.0
	180	55	6.3	1104	125.0
XTRUE™	40	0.5	0.05	9.6	1.09
	60	2	0.2	39	4.4
	80	4	0.4	76	8.5
	120	16	1.8	316	36
	160	32	3.6	636	72



Gearhead must be mounted in vertical orientation.

Sold & Serviced By:  
  
 Toll Free Phone (877) SERV098  
 Toll Free Fax (877) SERV099  
[www.electromate.com](http://www.electromate.com)  
[sales@electromate.com](mailto:sales@electromate.com)

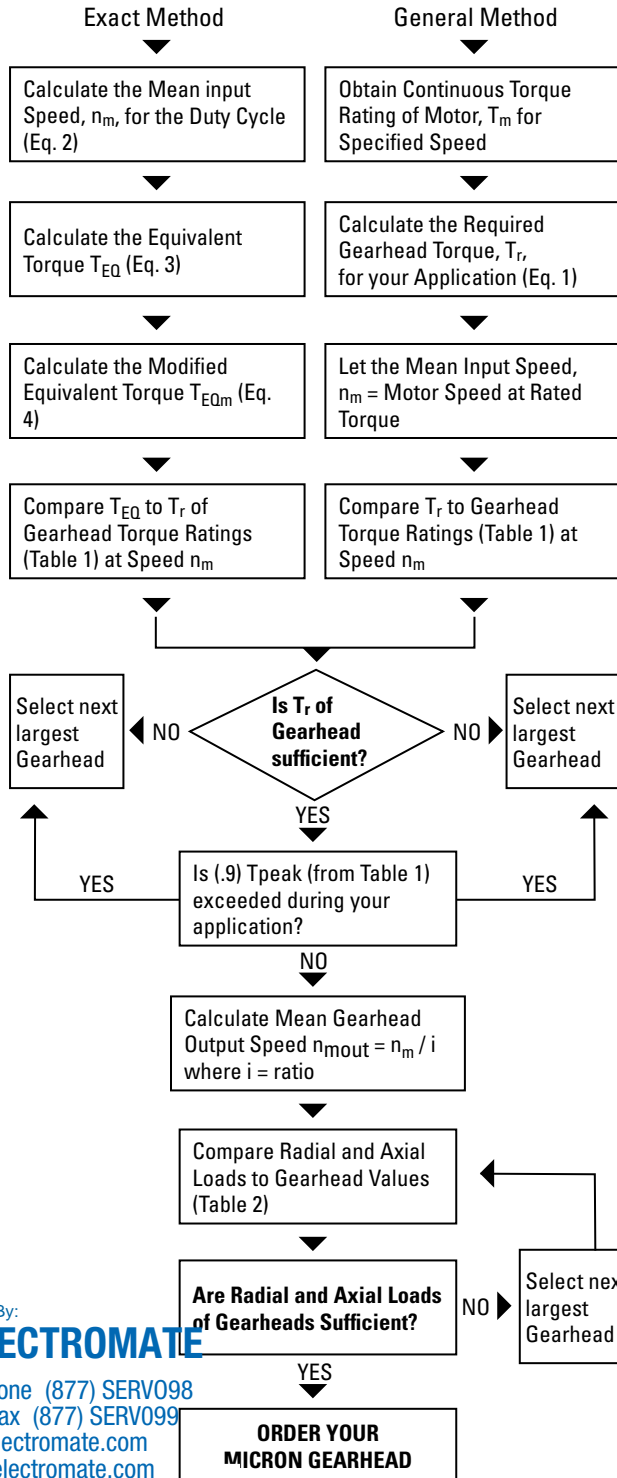


# Selection

**Step 1:** Select the required precision class and gearhead configuration (in-line or right angle).

**Step 2:** Select the proper gearhead using exact or general method.

For continuous duty applications, please contact Applications Engineering.



## General Method:

### Required Gearhead Torque(T<sub>r</sub>)

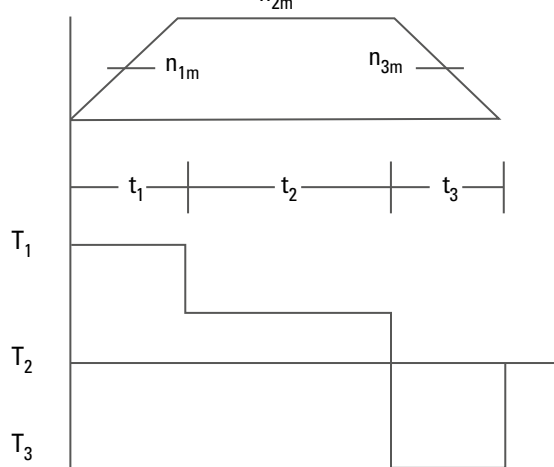
$$(1) T_r = T_M * i * e$$

where:  $T_M^*$  = continuous torque of motor  
 $i$  = Gearhead ratio  
 $e$  = efficiency of Gearhead

\* Since many motors are capable of exceeding their continuous torque rating for extended lengths of time, the value for  $T_M$  will only provide a starting point for Gearhead selection. Only use the general method if the continuous motor rating is not exceeded in the application.

## Exact Method

### Motion Profile



$t_n$  = time period n

$n_{nm}$  = mean speed during time period  $t_n$

$T_n$  = torque during time period  $t_n$

### Mean input speed (n<sub>m</sub>)

$$(2) n_m = \frac{n_{1m}t_1 + n_{2m}t_2 + n_{3m}t_3 + \dots + n_{nm}t_n}{t_t}$$

where  $t_t = t_1 + t_2 + t_3 + \dots + t_n$

### Equivalent torque (T<sub>EQ</sub>)

$$(3) T_{EQ} = \sqrt[8,7]{T_1^{8,7} \frac{n_{1m}t_1}{n_m t_t} + T_2^{8,7} \frac{n_{2m}t_2}{n_m t_t} + T_3^{8,7} \frac{n_{3m}t_3 + \dots + T_n^{8,7} \frac{n_{nm}t_n}{n_m t_t}}$$

### Modified equivalent torque (T<sub>EQm</sub>)

$$(4) T_{EQm} = (T_{EQ})/Q$$

Q	# of cycles/hr
1,0	>0
0,9	>1000
0,7	>2500
0,5	>5000

where Q is:

For applications > 10,000 cycles/hour or for continuous duty operation, please contact application engineering.

Sold & Serviced By:



Toll Free Phone (877) SERV098

Toll Free Fax (877) SERV099

www.electromate.com

sales@electromate.com

**ORDER YOUR  
MICRON GEARHEAD**

# AquaTRUE™

## True Planetary™ Gearheads

Ready for Immediate Delivery	
Precision	13 arc-minutes
Frame Sizes	60mm, 80mm, 120mm and 160mm
Torque Capacity	up to 876 Nm
Ratio Availability	3:1 thru 10:1
Radial load capacity	up to 3730 N
Mounting System	RediMount™

① Silicone Gasket to seal motor-gearhead interface

② Round and Square Motor Mounts

③ 1pc Housing - No External Seams

④ Permanent Product Label  
(Laser Etched)

⑤ Tested for IP66, IP67 and IP69K Protection  
Throughout

⑥ 300 Series Stainless Steel Housing

⑦ Non-Contact Labyrinth Seal for  
Minimal wear and Maximum Protection

⑧ Stainless Steel Output Shaft



Sold & Serviced By:

 **ELECTROMATE**

Toll Free Phone (877) SERV098

Toll Free Fax (877) SERV099

[www.electromate.com](http://www.electromate.com)

[sales@electromate.com](mailto:sales@electromate.com)

## AquaTRUE™

A revolutionary, corrosion resistant and watertight gearhead for the most demanding applications.

### Introduction

Micron's new AquaTRUE gearhead combines the high performance and torque capacity of Micron's True Planetary gearheads with features specifically designed to meet the strict requirements of applications such as food and beverage handling, packaging and dispensing. The AquaTRUE's IP66/IP67 and IP69K protection is able to handle caustic cleaning chemicals as well as high pressure washdown. Until now, manufacturers have been unable to use gearheads in many applications involving harsh environments because there was not a product available that met those needs. The AquaTRUE is engineered to be placed anywhere in the application's design, regardless of environmental factors. This eliminates the cost of additional components such as enclosers, shielding or mechanical transmissions.

The gearhead's 304 stainless steel housing eliminates the concern for rust or any type of corrosion. The AquaTRUE has a laser etched permanent product label and a smooth, round external housing that is designed without any external seams or corners for bacteria to collect. This makes the AquaTRUE very easy to clean and a perfect fit in any washdown environment.

- Frame Sizes: 60mm, 80mm, 120mm, 160mm
- Precision: 13 arc-min max
- Torque Capacity: up to 876 Nm
- Ratio Availability: 3:1 to 10:1 (single stage)

### Features and Benefits

- Round Housing
- No External Seams
- 300 Series Stainless Steel
- IP66/IP67 and IP69K Protection on both the input and output
- NSF/ANSI 169 Certification
- No corners or areas for bacteria to collect
- No areas of ingress
- Corrosion Resistance
- Can handle high pressure washdown



Sold & Serviced By:

 **ELECTROMATE**

Toll Free Phone (877) SERV098

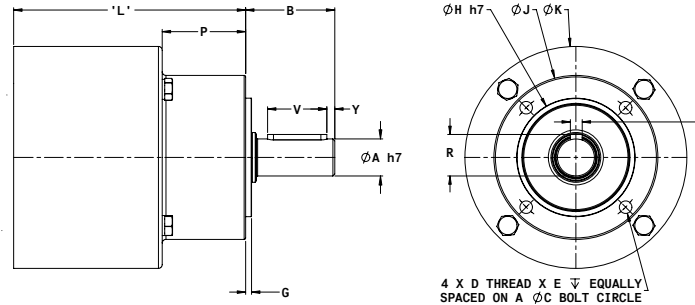
Toll Free Fax (877) SERV099

[www.electromate.com](http://www.electromate.com)

[sales@electromate.com](mailto:sales@electromate.com)

# AquaTRUE™

## True Planetary™ Gearheads



\* 'L' Dimension will change depending on motor being used.  
 Note: Mounting adapters available for both round and square motors.

### Dimensions

Part Number	A Output Shaft Diameter mm [in]	B Output Shaft Length mm [in]	Y Shaft End Distance mm [in]	V Keyway Length mm [in]	R Keyway Height mm [in]	I Key Width mm [in]	H Pilot Diameter mm [in]	J Body Diameter mm [in]
AQT060	14 [0.55]	38 [1.51]	2.5 [0.10]	25 [0.98]	16 [0.63]	5 [0.20]	43 [1.69]	60 [2.36]
AQT080	20 [0.79]	42.4 [1.67]	4.0 [0.16]	28 [1.10]	22.5 [0.89]	6 [0.24]	60 [2.36]	80 [3.15]
AQT120	25 [0.98]	59.5 [2.34]	5 [0.20]	40 [1.57]	28 [1.10]	8 [0.31]	80 [3.15]	110.5 [4.36]
AQT160	40 [1.57]	90.5 [3.57]	8.0 [0.32]	65 [2.55]	43 [1.69]	12 [0.47]	105 [4.13]	140 [5.50]

### Dimensions

Part Number	G Pilot Length mm [in]	D Output Housing Thread	Q Thread Depth mm [in]	K Input Body Diameter mm [in]	* L Standard Length mm [in]	C Bolt Circle mm [in]	P Output Body Length mm [in]
AQT060	6.9 [0.27]	M5x0.8-6H	12 [0.47]	92 [3.62]	91.6 [3.61]	52 [2.05]	38.5 [1.51]
AQT080	6.3 [0.25]	M6x1.0-6H	16 [0.63]	114.5 [4.51]	125.7 [4.95]	70 [2.76]	31.8 [1.25]
AQT120	7.3 [0.29]	M10x1.5-6H	22 [0.87]	150 [5.9]	149 [5.87]	95 [3.74]	56.9 [2.24]
AQT160	8.3 [0.33]	M12x1.75-6H	36 [1.42]	188.7 [7.43]	196.6 [7.74]	122.4 [4.82]	76.6 [3.02]

### Specifications

Part Number	Stages	Backlash (arc-min)	Efficiency	Weight		Ratio Availability
				kg	[lbs]	
AQT060	1	13	93%	2.4	5.4	3:1, 4:1, 5:1, 7:1, 10:1
AQT080	1	13	93%	5.7	12.7	3:1, 4:1, 5:1, 7:1, 8:1, 10:1
AQT120	1	13	93%	12.0	26.5	3:1, 4:1, 5:1, 7:1, 10:1
AQT160	1	13	93%	24.8	53.8	3:1, 4:1, 5:1, 7:1, 10:1

T<sub>r</sub> = Rated output torque at rated speed for specific hours of life.  
 T<sub>peak</sub> = Allowable momentary peak torque for emergency stop or heavy shock loading.  
 J = Mass moment of inertia reflected to the input shaft (including pinion assembly).  
 Specifications subject to change without notice.

# AquaTRUE™

## True Planetary™ Gearheads

### Performance Specifications

Part Number	Ratio	20,000 Hour Life				T Peak Nm [in-lb]	J kg-cm <sup>2</sup> [in-lb sec <sup>2</sup> *10 <sup>-4</sup> ]	Torsional Stiffness Nm/arc-min [in-lb/ arc-min]	
		Tr (1000 rpm) Nm [in-lb]	Tr (2000 rpm) Nm [in-lb]	Tr (3000 rpm) Nm [in-lb]	Tr (4000 rpm) Nm [in-lb]				
AQT060	AQT060-003	3:1	16 [139]	13 [112]	12 [102]	11 [93]	55 [483]	0.57 [5.1]	1.4 [12.6]
	AQT060-004	4:1	20 [177]	17 [149]	15 [130]	14 [121]	46 [409]	0.48 [4.0]	1.4 [12.1]
	AQT060-005	5:1	18 [158]	15 [130]	13 [112]	12 [102]	48 [427]	0.41 [3.6]	1.3 [11.8]
	AQT060-007	7:1	17 [149]	14 [121]	12 [102]	11 [93]	43 [381]	0.37 [3.2]	1.2 [11.0]
	AQT060-010	10:1	16 [139]	15 [130]	14 [121]	13 [112]	47 [418]	0.35 [3.1]	1.1 [10.1]
AQT080	AQT080-003	3:1	59 [520]	48 [427]	43 [381]	39 [344]	165 [1459]	2.4 [21.5]	5.8 [51.7]
	AQT080-004	4:1	70 [623]	58 [511]	53 [465]	48 [427]	165 [1459]	1.9 [17.1]	5.7 [50.5]
	AQT080-005	5:1	65 [576]	53 [465]	47 [418]	43 [381]	165 [1459]	1.7 [14.9]	5.5 [49.1]
	AQT080-007	7:1	63 [558]	50 [446]	45 [400]	40 [353]	165 [1459]	1.5 [13.0]	4.9 [43.0]
	AQT080-008	8:1	62 [549]	49 [434]	45 [398]	42 [372]	165 [1460]	1.4 [12.6]	4.6 [41.0]
	AQT080-010	10:1	54 [474]	48 [427]	45 [400]	43 [381]	165 [1459]	1.4 [12.3]	4.9 [43.2]
AQT120	AQT120-003	3:1	90 [799]	74 [650]	65 [576]	59 [520]	298 [2639]	9.0 [80]	12.1 [107]
	AQT120-004	4:1	107 [948]	89 [790]	79 [697]	74 [650]	298 [2639]	7.3 [65]	11.7 [103]
	AQT120-005	5:1	99 [873]	81 [716]	71 [632]	65 [576]	298 [2639]	6.5 [57]	11.3 [100]
	AQT120-007	7:1	97 [855]	79 [697]	68 [604]	63 [558]	298 [2639]	5.7 [51]	10.6 [94]
	AQT120-010	10:1	87 [771]	79 [697]	74 [650]	69 [613]	298 [2639]	5.4 [48]	9.8 [87]
AQT160	AQT160-003	3:1	317 [2806]	257 [2277]	228 [2016]	209 [1849]	876 [7750]	37 [327]	42.4 [375]
	AQT160-004	4:1	371 [3280]	305 [2695]	272 [2407]	251 [2221]	876 [7750]	27 [239]	39.7 [351]
	AQT160-005	5:1	350 [3094]	284 [2509]	251 [2221]	230 [2035]	876 [7750]	22 [195]	37.6 [333]
	AQT160-007	7:1	344 [3048]	278 [2463]	246 [2174]	225 [1989]	876 [7750]	19 [168]	34.6 [306]
	AQT160-010	10:1	222 [1961]	198 [1756]	185 [1635]	175 [1552]	876 [7750]	17 [150]	31.2 [276]

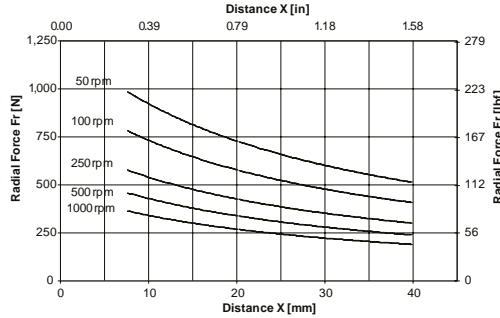
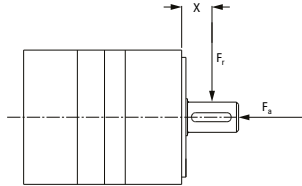
Tr = Rated output torque at rated speed for specific hours of life.  
 T<sub>peak</sub> = Allowable momentary peak torque for emergency stop or heavy shock loading.  
 J = Mass moment of inertia reflected to the input shaft (including pinion assembly).  
 Specifications subject to change without notice.

# AquaTRUE™

## True Planetary™ Gearheads

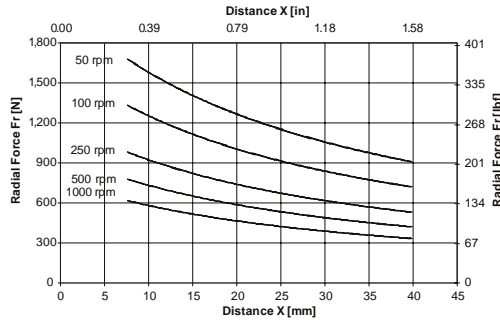
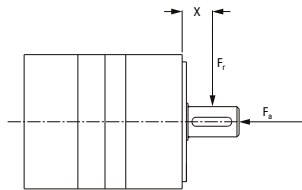
### Radial and Axial Load Ratings

#### AQT060



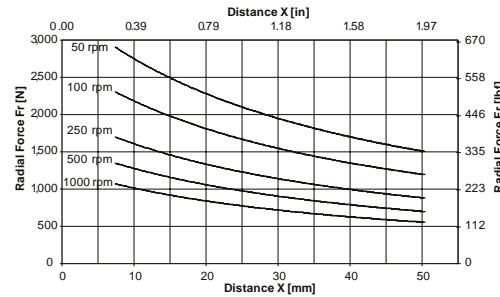
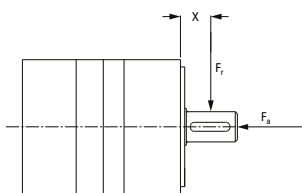
Speed rpm	Axial Load, $F_a$ N [lb <sub>f</sub> ]
50	2542 [571]
100	2017 [454]
250	1486 [334]
500	1180 [265]
1000	936 [211]

#### AQT080



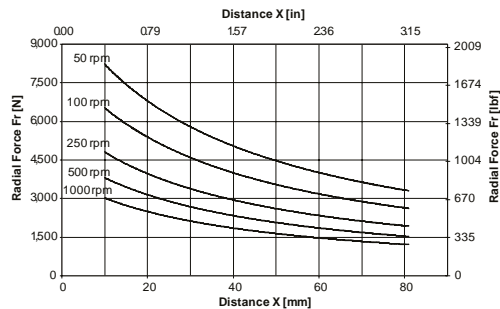
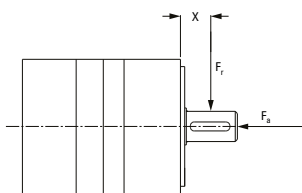
Speed rpm	Axial Load, $F_a$ N [lb <sub>f</sub> ]
50	3780 [850]
100	3000 [675]
250	2211 [497]
500	1755 [394]
1000	1393 [313]

#### AQT120



Speed rpm	Axial Load, $F_a$ N [lb <sub>f</sub> ]
50	6894 [1550]
100	5471 [1230]
250	4034 [907]
500	3203 [720]
1000	2540 [571]

#### AQT160



Speed rpm	Axial Load, $F_a$ N [lb <sub>f</sub> ]
50	14,122 [3175]
100	11,209 [2520]
250	8260 [1857]
500	6556 [1474]
1000	5204 [1170]

Sold & Serviced By:



Toll Free Phone (877) SERV098

Toll Free Fax (877) 688-1090

www.electromate.com

sales@electromate.com

The allowable radial load at a given distance (X) from the mounting surface based on an L<sub>10</sub> life of 20,000 hours for the mean



**MICRON**

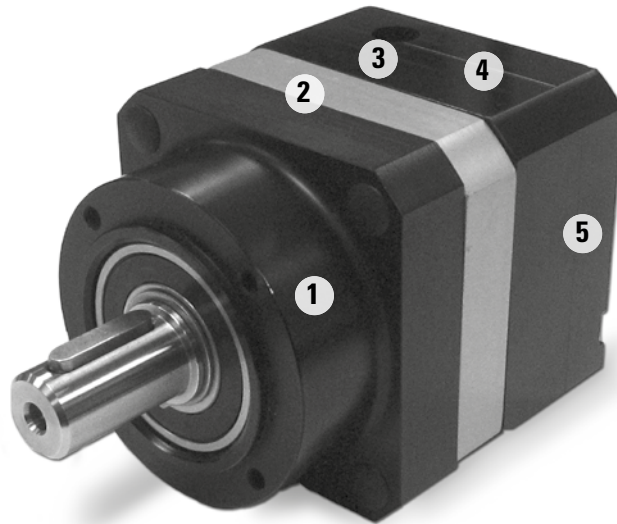
**XTRUE™**

## True Planetary™ Gearheads

### Ready for Immediate Delivery

<b>Precision</b>	13 arc-minutes
<b>Frame Sizes</b>	40 mm, 50 mm, 60 mm, 70 mm , 80 mm, 90 mm, 120 mm and 160 mm
<b>Torque Capacity</b>	up to 876 Nm
<b>Ratio Availability</b>	3:1 thru 100:1
<b>Radial load capacity</b>	up to 3730 N
<b>Mounting System</b>	RediMount™

- 1 Sealed deep groove ball bearings**  
provide high radial load carrying capability
- 2 HRC 55-60 steel gears**  
provide superior wear resistance  
and increased backlash integrity
- 3 Sealed deep groove ball bearing**  
provides precision alignment of sun gear
- 4 RediMount™ system**  
provides error-free motor installation
- 5 Anodized aluminum housing**  
reduces weight and prevents corrosion



Sold & Serviced By:

 **ELECTROMATE**

Toll Free Phone (877) SERV098

Toll Free Fax (877) SERV099

[www.electromate.com](http://www.electromate.com)

[sales@electromate.com](mailto:sales@electromate.com)

# XTRUE™

## True Planetary™ Gearheads

### Introduction

The XTRUE Series is a new precision gearhead that complements our True Planetary™ Gearhead line, already the largest selection of planetary gearheads in the world.

### Features and Benefits

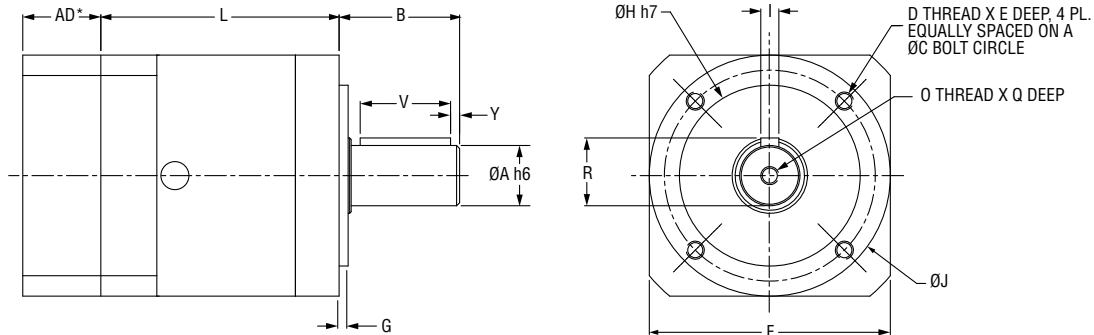
- Frame sizes (8): 40mm, 50 mm, 60mm, 70 mm, 80mm, 90 mm, 120mm, 160mm
- Precision: 13 arc-mins
- Torque capacity: up to 876 Nm
- Ratio availability: 3:1 thru 100:1
- Move a larger load more easily and quietly with True planetary gearing through improved load capacity, lower backlash and quieter operation.
- Experience less downtime with the flexible mounting system: RediMount™ system mounts to any motor in 3 easy steps; align, mount and tighten.
- Simplify replacement with the tapped face output which enables easy drop-in replacement.
- Go green on your machine when the assembly and all components meet EU Directive 2002/95/EC (RoHS)

Sold & Serviced By:



Toll Free Phone (877) SERV098  
Toll Free Fax (877) SERV099  
[www.electromate.com](http://www.electromate.com)  
[sales@electromate.com](mailto:sales@electromate.com)

XT



\*AD = Adapter Length  
Adapter Length will vary depending on motor. Consult customer service for details.

**Dimensions**

Part Number	A Output Shaft Diameter mm [in]	B Output Shaft Length mm [in]	Y Shaft End Distance mm [in]	V Keyway Length mm [in]	R Keyway Height mm [in]	I Key Width mm [in]	H Pilot Diameter mm [in]	J Body Diameter mm [in]	G Pilot Length mm [in]
XT040	10 [0.39]	26 [1.02]	2.5 [0.10]	18 [0.71]	11.2 [0.44]	3 [0.12]	26 [1.02]	40 [1.57]	2 [0.08]
XT060	14 [0.55]	35 [1.37]	2.5 [0.10]	25 [0.98]	16 [0.63]	5 [0.20]	40 [1.57]	60 [2.36]	3 [0.12]
XT080	20 [0.79]	40 [1.57]	4.0 [0.16]	28 [1.10]	22.5 [0.89]	6 [0.24]	60 [2.36]	80 [3.15]	3 [0.12]
XT120	25 [0.98]	55 [2.16]	5.0 [0.20]	40 [1.57]	28 [1.10]	8 [0.31]	80 [3.15]	115 [4.53]	4 [0.16]
XT160	40 [1.57]	87 [3.42]	8.0 [0.32]	65 [2.55]	43 [1.69]	12 [0.47]	130 [5.12]	160 [6.30]	5 [0.20]

**Dimensions**

Part Number	D Thread	E Thread Depth mm [in]	O Output Shaft Thread	Q Thread Depth mm [in]	F Flange Square mm [in]	L Length mm [in]		C Bolt Circle mm [in]
						3:1 - 10:1	15:1 - 100:1	
XT040	M4	6 [0.24]	M3	9 [0.35]	42 [1.65]	36.5 [1.43]	49.5 [1.94]	34 [1.34]
XT060	M5	8 [0.31]	M5	12 [0.47]	61 [2.40]	51 [2.00]	68 [2.67]	52 [2.05]
XT080	M6	10 [0.39]	M6	16 [0.63]	90 [3.54]	67 [2.64]	90 [3.54]	70 [2.76]
XT120	M10	16 [0.63]	M10	22 [0.87]	119 [4.53]	87.3 [3.44]	179 [4.67]	100 [3.94]
XT160	M12	20 [0.79]	M16	36 [1.42]	142 [5.59]	119.6 [4.71]	168.9 [6.65]	145 [5.71]

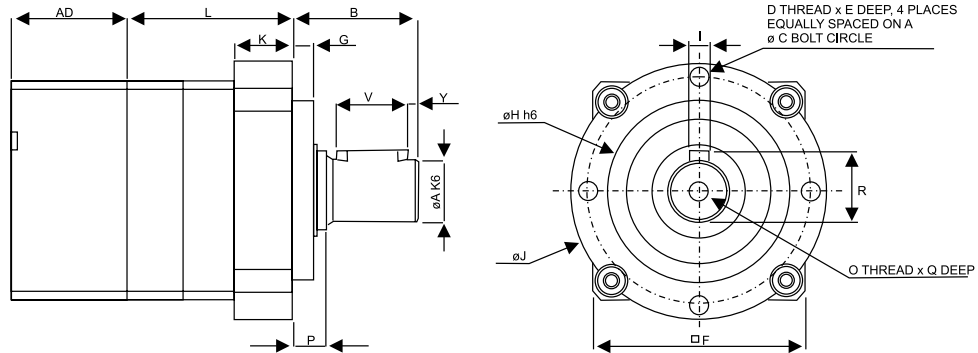
**Specifications**

Part Number	Stages	Backlash (arc-min)	Efficiency	Weight		Ratio Availability
				kg	[lbs]	
XT040	1	13	93%	0.45	[1.0]	3:1, 5:1, 10:1
	2	15	88%	0.5	[1.1]	15:1; 25:1, 30:1, 50:1, 100:1
XT060	1	13	93%	1.0	[2.2]	3:1, 4:1, 5:1, 7:1; 10:1
	2	15	88%	1.2	[2.6]	15:1, 20:1, 25:1, 30:1, 40:1, 50:1; 70:1; 100:1
XT080	1	13	93%	3.0	[6.6]	3:1, 4:1, 5:1, 7:1; 8:1; 10:1
	2	15	88%	3.7	[8.1]	15:1, 20:1, 25:1, 30:1, 40:1, 50:1; 70:1; 80:1; 100:1
XT120	1	13	93%	5.7	[12.5]	3:1, 4:1, 5:1, 7:1; 10:1
	2	15	88%	7.3	[16.1]	15:1, 20:1, 25:1, 30:1, 40:1, 50:1; 70:1; 100:1
XT160	1	13	93%	12.8	[28.2]	3:1, 4:1, 5:1, 7:1; 10:1
	2	15	88%	17.2	[37.8]	15:1, 20:1, 25:1, 30:1, 40:1, 50:1; 70:1; 100:1

# XTRUE™

## True Planetary™ Gearheads

### XTA



\*AD = Adapter Length  
 Adapter Length will vary depending on motor. Consult customer service for details.

### Dimensions

Part Number	A Output Shaft Diameter mm [in]	B Output Shaft Length mm [in]	Y Shaft End Distance mm [in]	V Keyway Length mm [in]	R Keyway Height mm [in]	I Key Width mm [in]	H Pilot Diameter mm [in]	J Output Body Diameter mm [in]	G Pilot Length mm [in]
XTA050	12 [0.47]	24.5 [0.97]	2 [0.079]	14 [0.55]	13.5 [0.53]	4 [0.16]	35 [1.38]	50 [1.97]	4 [0.16]
XTA070	16 [0.79]	36 [1.42]	2 [0.079]	25 [0.98]	18 [0.71]	5 [0.20]	52 [2.05]	70 [2.76]	5 [0.20]
XTA090	22 [0.87]	46 [1.81]	2 [0.079]	32 [1.26]	24.5 [0.96]	6 [0.24]	68 [2.68]	90 [3.54]	5 [0.20]
XTA120	32 [1.26]	70 [2.76]	4 [0.16]	50 [1.97]	35 [1.39]	10 [0.40]	90 [3.54]	120 [4.72]	6 [0.24]

### Dimensions

Part Number	D Output Housing Thread	E Thread Depth mm [in]	O Output Shaft Thread mm [in]	Q Thread Depth mm [in]	F Square Size mm [in]	K Output Body Length mm [in]	L Length mm [in]		C Bolt Circle mm [in]
							3:1 - 10:1	15:1 - 100:1	
XTA050	M4x0.7-6H	8 [0.32]	M4x0.7-6H	8 [0.32]	42 [1.65]	11.7 [0.46]	33 [1.29]	46 [1.80]	44 [1.73]
XTA070	M5x0.8-6H	10 [0.40]	M5x0.8-6H	10 [0.40]	61 [2.40]	34.1 [1.34]	49 [1.93]	66.5 [2.62]	62 [2.44]
XTA090	M6x1.0-6H	12 [0.47]	M8x1.25-6H	13 [0.51]	90 [3.54]	24.5 [0.96]	65 [2.55]	87.5 [3.45]	80 [3.15]
XTA120	M8x1.25-6H	16 [0.63]	M12x1.75-6H	22 [0.87]	115 [4.53]	33.1 [1.30]	85.5 [3.36]	117 [4.60]	108 [4.25]

### Specifications

Part Number	Stages	Backlash (arc-min)	Efficiency	Weight		Ratio Availability
				kg	[lbs]	
XTA050	1	13	93%	0.45	[1.0]	3:1, 5:1, 10:1
	2	15	88%	0.5	[1.1]	15:1; 25:1, 30:1, 50:1, 100:1
XTA070	1	13	93%	1.0	[2.2]	3:1, 4:1, 5:1, 7:1; 10:1
	2	15	88%	1.2	[2.6]	15:1, 20:1, 25:1, 30:1, 40:1, 50:1; 70:1; 100:1
XTA090	1	13	93%	3.0	[6.6]	3:1, 4:1, 5:1, 7:1; 8:1; 10:1
	2	15	88%	3.7	[8.1]	15:1, 20:1, 25:1, 30:1, 40:1, 50:1; 70:1; 80:1; 100:1
XTA120	1	13	93%	5.7	[12.5]	3:1, 4:1, 5:1, 7:1; 10:1
	2	15	88%	7.3	[16.1]	15:1, 20:1, 25:1, 30:1, 40:1, 50:1; 70:1; 100:1

Specifications subject to change without notice.

Performance Specifications

Part Number	Ratio	20000 Hour Life				Tpeak Nm [in-lb]	J kg-cm <sup>2</sup> [in-lb-sec <sup>2</sup> *10 <sup>-4</sup> ]	Torsional Stiffness Nm/arc-min [in-lb/arc-min]	
		T <sub>r</sub> (1000 rpm) Nm [in-lb]	T <sub>r</sub> (2000 rpm) Nm [in-lb]	T <sub>r</sub> (3000 rpm) Nm [in-lb]	T <sub>r</sub> (4000 rpm) Nm [in-lb]				
XT040	XT040-003	3:1	5.2 [46]	4.2 [37]	3.7 [33]	3.4 [30]	15.6 [138]	0.013 [0.12]	0.7 [6.2]
	XT040-005	5:1	6.1 [54]	5.3 [47]	3.6 [32]	4.3 [38]	18.3 [162]	0.005 [0.04]	0.7 [6.2]
	XT040-010	10:1	5.8 [51]	4.6 [41]	4.1 [36]	3.7 [33]	17.2 [152]	0.003 [0.03]	0.7 [6.2]
	XT040-015	15:1	8.4 [74]	6.8 [60]	6.0 [53]	5.5 [49]	25.2 [223]	0.004 [0.04]	0.7 [6.2]
	XT040-025	25:1	9.3 [82]	7.6 [67]	6.7 [59]	6.1 [54]	27.8 [246]	0.004 [0.04]	0.7 [6.2]
	XT040-030	30:1	9.5 [84]	8.4 [74]	7.5 [66]	6.8 [60]	28.6 [253]	0.003 [0.03]	0.7 [6.2]
	XT040-050	50:1	11.3 [100]	9.3 [82]	8.2 [73]	7.6 [67]	33.8 [299]	0.003 [0.03]	0.7 [6.2]
XT040-100	100:1	8.1 [72]	7.5 [66]	7.1 [63]	6.9 [61]	24.4 [216]	0.003 [0.03]	0.7 [6.2]	
XTA050	XTA050-003	3:1	5.2 [46]	4.2 [37]	3.7 [33]	3.4 [30]	15.6 [138]	0.013 [0.12]	0.7 [6.2]
	XTA050-005	5:1	6.1 [54]	5.3 [47]	3.6 [32]	4.3 [38]	18.3 [162]	0.005 [0.04]	0.7 [6.2]
	XTA050-010	10:1	5.8 [51]	4.6 [41]	4.1 [36]	3.7 [33]	17.2 [152]	0.003 [0.03]	0.7 [6.2]
	XTA050-015	15:1	8.4 [74]	6.8 [60]	6.0 [53]	5.5 [49]	25.2 [223]	0.004 [0.04]	0.7 [6.2]
	XTA050-025	25:1	9.3 [82]	7.6 [67]	6.7 [59]	6.1 [54]	27.8 [246]	0.004 [0.04]	0.7 [6.2]
	XTA050-030	30:1	9.5 [84]	8.4 [74]	7.5 [66]	6.8 [60]	28.6 [253]	0.003 [0.03]	0.7 [6.2]
	XTA050-050	50:1	11.3 [100]	9.3 [82]	8.2 [73]	7.6 [67]	33.8 [299]	0.003 [0.03]	0.7 [6.2]
XTA050-100	100:1	8.1 [72]	7.5 [66]	7.1 [63]	6.9 [61]	24.4 [216]	0.003 [0.03]	0.7 [6.2]	
XT060	XT060-003	3:1	16 [139]	13 [112]	12 [102]	11 [93]	55 [483]	0.52 [4.6]	1.8 [15.9]
	XT060-004	4:1	20 [177]	17 [149]	15 [130]	14 [121]	46 [409]	0.46 [4.1]	1.8 [15.9]
	XT060-005	5:1	18 [158]	15 [130]	13 [112]	12 [102]	48 [427]	0.46 [4.1]	1.8 [15.9]
	XT060-007	7:1	17 [149]	14 [121]	12 [102]	11 [93]	43 [381]	0.46 [4.1]	1.8 [15.9]
	XT060-010	10:1	16 [139]	15 [130]	14 [121]	13 [112]	47 [418]	0.44 [3.9]	1.8 [15.9]
	XT060-015	15:1	26 [232]	21 [186]	19 [167]	17 [149]	55 [483]	0.46 [4.1]	1.8 [15.9]
	XT060-020	20:1	27 [242]	25 [223]	22 [195]	21 [186]	48 [427]	0.46 [4.1]	1.8 [15.9]
	XT060-025	25:1	25 [223]	23 [204]	20 [177]	19 [167]	55 [483]	0.46 [4.1]	1.8 [15.9]
	XT060-030	30:1	29 [260]	26 [232]	23 [204]	21 [186]	55 [483]	0.46 [4.1]	1.8 [15.9]
	XT060-040	40:1	28 [251]	27 [242]	27 [242]	25 [223]	48 [427]	0.44 [3.9]	1.8 [15.9]
	XT060-050	50:1	26 [232]	25 [223]	25 [223]	23 [204]	55 [483]	0.44 [3.9]	1.8 [15.9]
	XT060-070	70:1	25 [223]	24 [214]	24 [214]	22 [195]	48 [427]	0.44 [3.9]	1.8 [15.9]
	XT060-100	100:1	21 [186]	20 [177]	19 [167]	18 [158]	43 [381]	0.44 [3.9]	1.8 [15.9]
XTA070	XTA070-003	3:1	16 [139]	13 [112]	12 [102]	11 [93]	55 [483]	0.52 [4.6]	1.8 [15.9]
	XTA070-004	4:1	20 [177]	17 [149]	15 [130]	14 [121]	46 [409]	0.46 [4.1]	1.8 [15.9]
	XTA070-005	5:1	18 [158]	15 [130]	13 [112]	12 [102]	48 [427]	0.46 [4.1]	1.8 [15.9]
	XTA070-007	7:1	17 [149]	14 [121]	12 [102]	11 [93]	43 [381]	0.46 [4.1]	1.8 [15.9]
	XTA070-010	10:1	16 [139]	15 [130]	14 [121]	13 [112]	47 [418]	0.44 [3.9]	1.8 [15.9]
	XTA070-015	15:1	26 [232]	21 [186]	19 [167]	17 [149]	55 [483]	0.46 [4.1]	1.8 [15.9]
	XTA070-020	20:1	27 [242]	25 [223]	22 [195]	21 [186]	48 [427]	0.46 [4.1]	1.8 [15.9]
	XTA070-025	25:1	25 [223]	23 [204]	20 [177]	19 [167]	55 [483]	0.46 [4.1]	1.8 [15.9]
	XTA070-030	30:1	29 [260]	26 [232]	23 [204]	21 [186]	55 [483]	0.46 [4.1]	1.8 [15.9]
	XTA070-040	40:1	28 [251]	27 [242]	27 [242]	25 [223]	48 [427]	0.44 [3.9]	1.8 [15.9]
	XTA070-050	50:1	26 [232]	25 [223]	25 [223]	23 [204]	55 [483]	0.44 [3.9]	1.8 [15.9]
	XTA070-070	70:1	25 [223]	24 [214]	24 [214]	22 [195]	48 [427]	0.44 [3.9]	1.8 [15.9]
	XTA070-100	100:1	21 [186]	20 [177]	19 [167]	18 [158]	43 [381]	0.44 [3.9]	1.8 [15.9]
XT080	XT080-003	3:1	59 [520]	48 [427]	43 [381]	39 [344]	165 [1459]	2.2 [19.5]	5.4 [47.8]
	XT080-004	4:1	70 [623]	58 [511]	53 [465]	48 [427]	165 [1459]	1.8 [15.9]	5.4 [47.8]
	XT080-005	5:1	65 [576]	53 [465]	47 [418]	43 [381]	165 [1459]	1.8 [15.9]	5.4 [47.8]
	XT080-007	7:1	63 [558]	50 [446]	45 [400]	40 [353]	165 [1459]	1.7 [15.0]	5.4 [47.8]
	XT080-008	8:1	62 [549]	49 [434]	45 [398]	42 [372]	165 [1460]	1.6 [14.2]	5.4 [47.8]
	XT080-010	10:1	54 [474]	48 [427]	45 [400]	43 [381]	165 [1459]	1.8 [15.9]	5.4 [47.8]
	XT080-015	15:1	90 [799]	78 [688]	69 [613]	63 [558]	175 [1552]	1.8 [15.9]	5.4 [47.8]

# XTRUE™

## True Planetary™ Gearheads

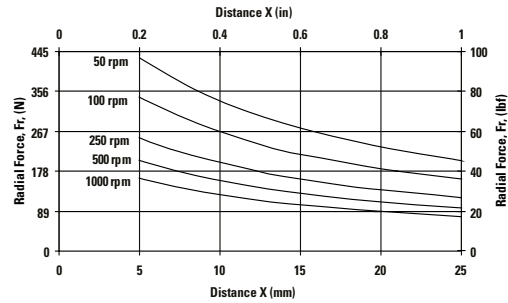
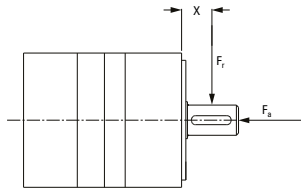
### Performance Specifications

Part Number	Ratio	20000 Hour Life				Tpeak Nm [in-lb]	J kg-cm <sup>2</sup> [in-lb-sec <sup>2</sup> *10 <sup>-4</sup> ]	Torsional Stiffness Nm/arc-min [in-lb/arc-min]	
		T <sub>r</sub> (1000 rpm) Nm [in-lb]	T <sub>r</sub> (2000 rpm) Nm [in-lb]	T <sub>r</sub> (3000 rpm) Nm [in-lb]	T <sub>r</sub> (4000 rpm) Nm [in-lb]				
XT080	XT080-020	20:1	92 [818]	88 [781]	81 [716]	75 [660]	175 [1552]	1.5 [13.3]	5.4 [47.8]
	XT080-025	25:1	87 [771]	83 [734]	76 [669]	69 [613]	175 [1552]	1.7 [15.0]	5.4 [47.8]
	XT080-030	30:1	100 [883]	90 [799]	85 [753]	78 [688]	175 [1552]	1.7 [15.0]	5.4 [47.8]
	XT080-040	40:1	96 [846]	92 [818]	90 [799]	88 [781]	175 [1552]	1.6 [14.2]	5.4 [47.8]
	XT080-050	50:1	90 [799]	87 [771]	85 [753]	83 [734]	175 [1552]	1.6 [14.2]	5.4 [47.8]
	XT080-070	70:1	88 [781]	85 [753]	83 [734]	82 [725]	175 [1552]	1.6 [14.2]	5.4 [47.8]
	XT080-080	80:1	84 [743]	80 [708]	78 [690]	74 [655]	175 [1549]	1.6 [14.2]	5.4 [47.8]
	XT080-100	100:1	72 [641]	67 [595]	63 [558]	61 [539]	175 [1552]	1.6 [14.2]	5.4 [47.8]
XTA090	XTA090-003	3:1	59 [520]	48 [427]	43 [381]	39 [344]	165 [1459]	2.2 [19.5]	5.4 [47.8]
	XTA090-004	4:1	70 [623]	58 [511]	53 [465]	48 [427]	165 [1459]	1.8 [15.9]	5.4 [47.8]
	XTA090-005	5:1	65 [576]	53 [465]	47 [418]	43 [381]	165 [1459]	1.8 [15.9]	5.4 [47.8]
	XTA090-007	7:1	63 [558]	50 [446]	45 [400]	40 [353]	165 [1459]	1.7 [15.0]	5.4 [47.8]
	XTA090-008	8:1	62 [549]	49 [434]	45 [398]	42 [372]	165 [1460]	1.6 [14.2]	5.4 [47.8]
	XTA090-010	10:1	54 [474]	48 [427]	45 [400]	43 [381]	165 [1459]	1.8 [15.9]	5.4 [47.8]
	XTA090-015	15:1	90 [799]	78 [688]	69 [613]	63 [558]	175 [1552]	1.8 [15.9]	5.4 [47.8]
	XTA090-020	20:1	92 [818]	88 [781]	81 [716]	75 [660]	175 [1552]	1.5 [13.3]	5.4 [47.8]
	XTA090-025	25:1	87 [771]	83 [734]	76 [669]	69 [613]	175 [1552]	1.7 [15.0]	5.4 [47.8]
	XTA090-030	30:1	100 [883]	90 [799]	85 [753]	78 [688]	175 [1552]	1.7 [15.0]	5.4 [47.8]
	XTA090-040	40:1	96 [846]	92 [818]	90 [799]	88 [781]	175 [1552]	1.6 [14.2]	5.4 [47.8]
	XTA090-050	50:1	90 [799]	87 [771]	85 [753]	83 [734]	175 [1552]	1.6 [14.2]	5.4 [47.8]
	XTA090-070	70:1	88 [781]	85 [753]	83 [734]	82 [725]	175 [1552]	1.6 [14.2]	5.4 [47.8]
	XTA090-080	80:1	84 [743]	80 [708]	78 [690]	74 [655]	175 [1549]	1.6 [14.2]	5.4 [47.8]
XTA090-100	100:1	72 [641]	67 [595]	63 [558]	61 [539]	175 [1552]	1.6 [14.2]	5.4 [47.8]	
XT120 / XTA120	XT(A)120-003	3:1	90 [799]	74 [650]	65 [576]	59 [520]	298 [2639]	4.4 [39]	17.4 [154.0]
	XT(A)120-004	4:1	107 [948]	89 [790]	79 [697]	74 [650]	298 [2639]	3 [27]	17.4 [154.0]
	XT(A)120-005	5:1	99 [873]	81 [716]	71 [632]	65 [576]	298 [2639]	2.9 [26]	17.4 [154.0]
	XT(A)120-007	7:1	97 [855]	79 [697]	68 [604]	63 [558]	298 [2639]	2.8 [25]	17.4 [154.0]
	XT(A)120-010	10:1	87 [771]	79 [697]	74 [650]	69 [613]	298 [2639]	2.5 [22]	17.4 [154.0]
	XT(A)120-015	15:1	146 [1292]	119 [1050]	105 [929]	96 [846]	298 [2639]	2.9 [26]	17.4 [154.0]
	XT(A)120-020	20:1	169 [1496]	139 [1227]	124 [1097]	114 [1013]	298 [2639]	2.9 [26]	17.4 [154.0]
	XT(A)120-025	25:1	161 [1422]	130 [1152]	116 [1022]	106 [939]	298 [2639]	2.9 [26]	17.4 [154.0]
	XT(A)120-030	30:1	180 [1589]	146 [1292]	129 [1143]	119 [1050]	298 [2639]	2.5 [22]	17.4 [154.0]
	XT(A)120-040	40:1	187 [1654]	169 [1496]	150 [1329]	139 [1227]	298 [2639]	2.5 [22]	17.4 [154.0]
	XT(A)120-050	50:1	179 [1580]	161 [1422]	142 [1254]	130 [1152]	298 [2639]	2.5 [22]	17.4 [154.0]
XT(A)120-070	70:1	176 [1561]	159 [1403]	140 [1236]	128 [1134]	298 [2639]	2.5 [22]	17.4 [154.0]	
XT(A)120-100	100:1	120 [1059]	109 [966]	104 [920]	100 [883]	298 [2639]	2.5 [22]	17.4 [154.0]	
XT160	XT160-003	3:1	317 [2806]	257 [2277]	228 [2016]	209 [1849]	876 [7750]	23 [204]	50.5 [446.9]
	XT160-004	4:1	371 [3280]	305 [2695]	272 [2407]	251 [2221]	876 [7750]	15 [133]	50.5 [446.9]
	XT160-005	5:1	350 [3094]	284 [2509]	251 [2221]	230 [2035]	876 [7750]	14 [124]	50.5 [446.9]
	XT160-007	7:1	344 [3048]	278 [2463]	246 [2174]	225 [1989]	876 [7750]	15 [133]	50.5 [446.9]
	XT160-010	10:1	222 [1961]	198 [1756]	185 [1635]	175 [1552]	876 [7750]	12 [106]	50.5 [446.9]
	XT160-015	15:1	508 [4498]	417 [3689]	370 [3271]	339 [3001]	876 [7750]	15 [133]	50.5 [446.9]
	XT160-020	20:1	513 [4544]	481 [4256]	428 [3791]	395 [3494]	876 [7750]	15 [133]	50.5 [446.9]
	XT160-025	25:1	492 [4358]	460 [4070]	407 [3605]	374 [3308]	876 [7750]	15 [133]	50.5 [446.9]
	XT160-030	30:1	562 [4971]	508 [4498]	455 [4024]	417 [3689]	876 [7750]	12 [106]	50.5 [446.9]
	XT160-040	40:1	536 [4739]	513 [4544]	500 [4423]	481 [4256]	876 [7750]	13 [115]	50.5 [446.9]
	XT160-050	50:1	515 [4553]	492 [4358]	479 [4237]	460 [4070]	876 [7750]	12 [106]	50.5 [446.9]
	XT160-070	70:1	509 [4507]	487 [4312]	474 [4191]	455 [4024]	876 [7750]	12 [106]	50.5 [446.9]
	XT160-100	100:1	306 [2704]	279 [2472]	265 [2342]	254 [2249]	876 [7750]	12 [106]	50.5 [446.9]



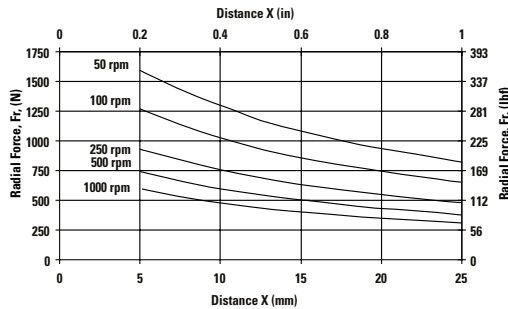
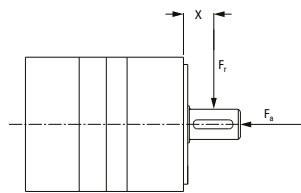
**Radial and Axial Load Ratings**

**XT040 / XTA050**



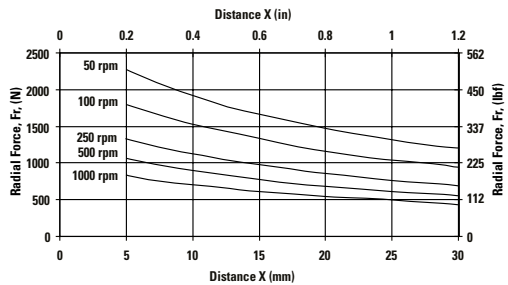
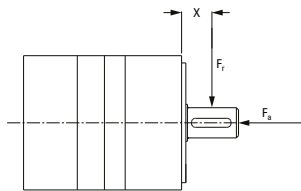
Speed rpm	Axial Load, $F_a$ N [lb <sub>r</sub> ]
50	737 [166]
100	585 [132]
250	431 [97]
500	342 [77]
1000	272 [61]

**XT060 / XTA070**



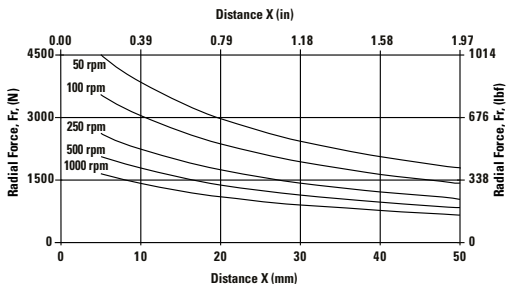
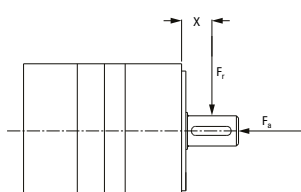
Speed rpm	Axial Load, $F_a$ N [lb <sub>r</sub> ]
50	2542 [571]
100	2017 [454]
250	1486 [334]
500	1180 [265]
1000	936 [211]

**XT080 / XTA090**



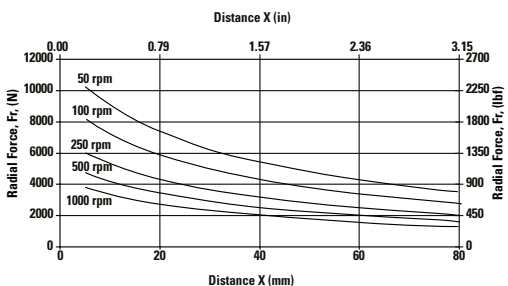
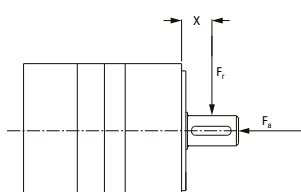
Speed rpm	Axial Load, $F_a$ N [lb <sub>r</sub> ]
50	3780 [850]
100	3000 [675]
250	2211 [497]
500	1755 [394]
1000	1393 [313]

**XT120 / XTA120**



Speed rpm	Axial Load, $F_a$ N [lb <sub>r</sub> ]
50	6894 [1550]
100	5471 [1230]
250	4034 [907]
500	3203 [720]
1000	2540 [571]

**XT160**



Speed rpm	Axial Load, $F_a$ N [lb <sub>r</sub> ]
50	14,122 [3175]
100	11,209 [2520]
250	8260 [1857]
500	6556 [1474]
1000	5204 [1170]

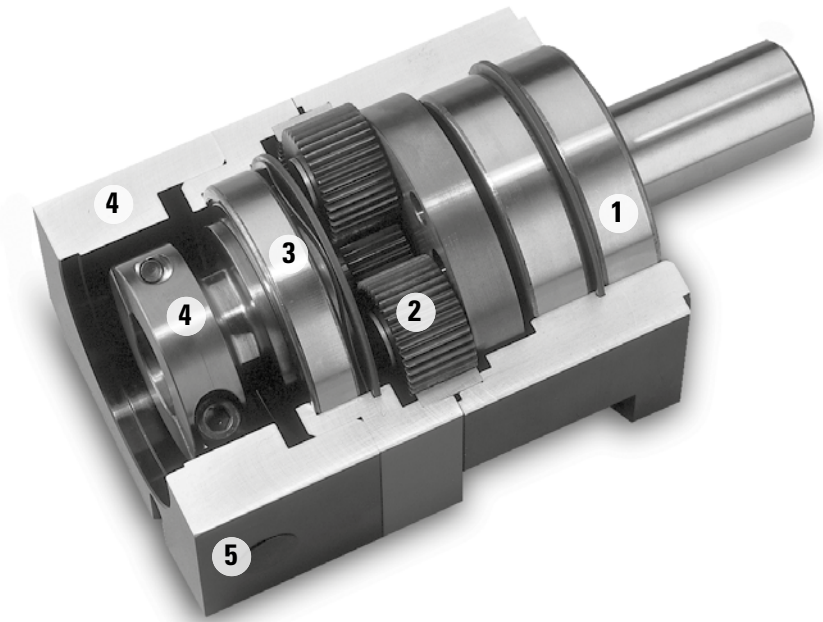
These graphs display the allowable radial load at a given distance (X) from the mounting surface based on an L<sub>10</sub> life of 20,000 hours for the mean output speed.

# NemaTRUE™

## True Planetary™ Gearheads

Ready for Immediate Delivery	
Precision	13 arc-minutes
Frame Sizes	17, 23/60mm, 34/90mm and 42/115mm
Torque Capacity	up to 180 Nm
Ratio Availability	3:1 thru 100:1
Radial load capacity	up to 3730 N
Mounting System	RediMount™

- ① **Sealed deep groove ball bearings**  
provide high radial load carrying capability
- ② **HRC 55-60 steel gears**  
provide superior wear resistance  
and increased backlash integrity
- ③ **Sealed deep groove ball bearing**  
provides precision alignment of sun gear
- ④ **RediMount™ system**  
provides error-free motor installation
- ⑤ **Anodized aluminum housing**  
reduces weight and prevents corrosion



Sold & Serviced By:

 **ELECTROMATE**

Toll Free Phone (877) SERV098

Toll Free Fax (877) SERV099

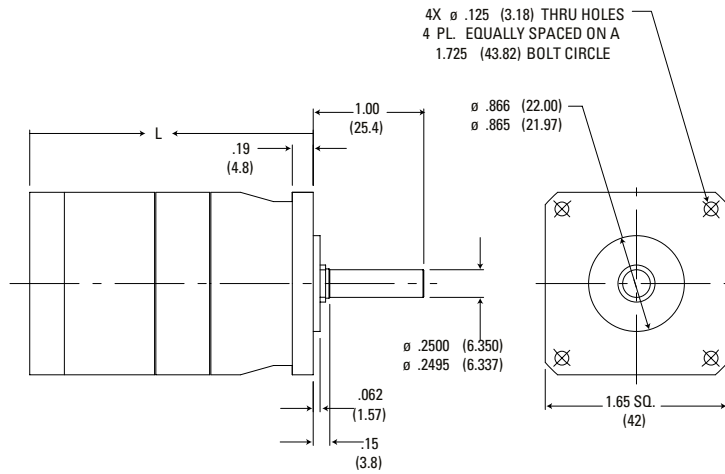
[www.electromate.com](http://www.electromate.com)

[sales@electromate.com](mailto:sales@electromate.com)

# NemaTRUE™ Size 17

## True Planetary™ Gearheads

English



Ratio <sup>1</sup>	Dimension 'L' in [mm]	Backlash [arc-min]	Weight lb [kg]	Efficiency
3:1 to 10:1	2.28 [58]	13 max	.75 [0,34]	93%
15:1 to 100:1	2.77 [71]	15 max	.95 [0,43]	88%

Dimensions are inch (mm)  
Efficiency is calculated at 100% of the rated torque.  
Total length may change depending on motor being used.

## Performance Specifications

Part Number	Ratio <sup>1</sup>	20000 Hour Life				T <sub>peak</sub> in-lb [Nm]	J in-lb-sec <sup>2</sup> x10 <sup>-4</sup> [kg-cm <sup>2</sup> ]	Torsional Stiffness in-lb/arc-min [Nm/arc-min]
		T <sub>r</sub> (1000 rpm) in-lb [Nm]	T <sub>r</sub> (2000 rpm) in-lb [Nm]	T <sub>r</sub> (3000 rpm) in-lb [Nm]	T <sub>r</sub> (4000 rpm) in-lb [Nm]			
NT17-003	3:1	41 [4,7]	34 [3,8]	29 [3,3]	27 [3,1]	170 [19,2]	0.115 [0,013]	2.36 [0,268]
NT17-005	5:1	44 [5,0]	37 [4,2]	33 [3,7]	30 [3,4]	170 [19,2]	0.040 [0,005]	2.36 [0,268]
NT17-010	10:1	30 [3,4]	28 [3,1]	25 [2,8]	23 [2,6]	170 [19,2]	0.030 [0,003]	2.36 [0,268]
NT17-015	15:1	47 [5,3]	47 [5,3]	47 [5,3]	42 [4,7]	170 [19,2]	0.037 [0,004]	2.36 [0,268]
NT17-025	25:1	78 [8,8]	58 [6,6]	53 [6,0]	48 [5,5]	170 [19,2]	0.037 [0,004]	2.36 [0,268]
NT17-030	30:1	57 [6,4]	52 [5,9]	48 [5,4]	46 [5,2]	170 [19,2]	0.026 [0,003]	2.36 [0,268]
NT17-050	50:1	91 [10,3]	78 [8,8]	65 [7,4]	60 [6,7]	170 [19,2]	0.026 [0,003]	2.36 [0,268]
NT17-100	100:1	40 [4,5]	38 [4,3]	35 [4,0]	33 [3,8]	170 [19,2]	0.026 [0,003]	2.36 [0,268]

Sold & Serviced By:



Toll Free Phone (877) SERV098

Toll Free Fax (877) SERV099

www.electromate.com

sales@electromate.com

<sup>1</sup> Ratios are exact, higher ratios and other custom options are also available, consult factory.

T<sub>r</sub> = Rated output torque at rated speed for specific hours of life.

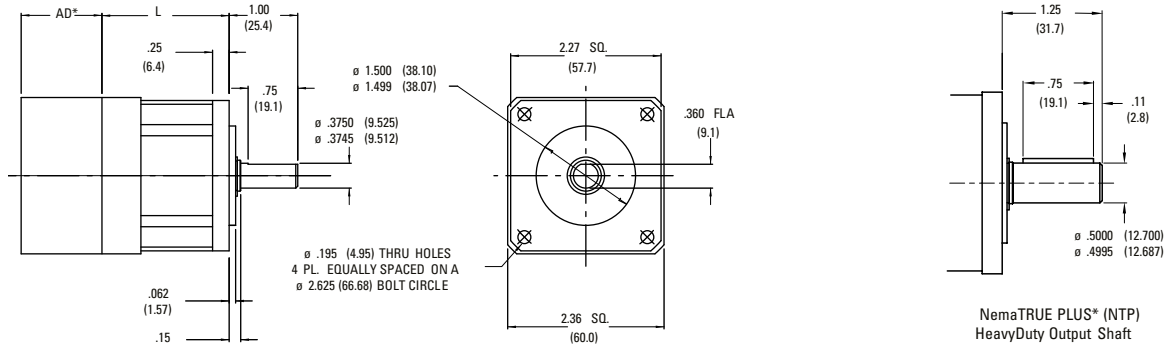
T<sub>peak</sub> = Allowable momentary peak torque for emergency stop or heavy shock loading.

J = Mass moment of inertia reflected to the input shaft (including pinion assembly).

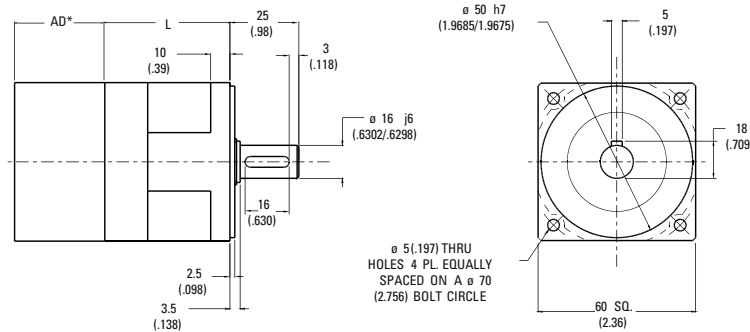
# NemaTRUE™ Size 23/60

English

English - Dimensions are in (mm)



Metric - Dimensions are mm (in)



Ratio <sup>1</sup>	NT23 Dimension 'L' in [mm]	NT60 Dimension 'L' in [mm]	Backlash [arc-min]		Weight lb [kg]	Efficiency
			Precision	High Precision		
3:1 to 10:1	1.92 [48,8]	2.07 [52,6]	13 max	8 max	1.5 [0,7]	93%
15:1 to 100:1	2.61 [66,3]	2.76 [70,1]	15 max	9 max	1.9 [0,9]	88%

AD\*\* = Adapter length  
Adapter length will vary depending on motor.  
Efficiency is calculated at 100% of the rated torque.

## Performance Specifications

Part Number		Ratio <sup>1</sup>	20000 Hour Life				T <sub>peak</sub> in-lb [Nm]	J in-lb-sec <sup>2</sup> x10 <sup>-4</sup> [kg-cm <sup>2</sup> ]	Torsional Stiffness in-lb/arc-min [Nm/arc-min]	
English	Metric		T <sub>r</sub> (1000 rpm) in-lb [Nm]	T <sub>r</sub> (2000 rpm) in-lb [Nm]	T <sub>r</sub> (3000 rpm) in-lb [Nm]	T <sub>r</sub> (4000 rpm) in-lb [Nm]			NT	NTP
NT23-003	NT60-003	3:1	98 [11,1]	80 [9,0]	70 [7,9]	65 [7,3]	150 [16,9]	0.67 [0,076]	6.3 [0,71]	15.8 [1,8]
NT23-004	NT60-004	4:1	107 [12,1]	90 [10,2]	80 [9,0]	73 [8,2]	250 [28,3]	0.22 [0,024]	6.3 [0,71]	15.8 [1,8]
NT23-005	NT60-005	5:1	105 [11,9]	88 [9,9]	78 [8,8]	71 [8,0]	250 [28,2]	0.22 [0,025]	6.3 [0,71]	15.8 [1,8]
NT23-007	NT60-007	7:1	100 [11,3]	83 [9,4]	74 [8,4]	66 [7,5]	250 [28,3]	0.22 [0,024]	6.3 [0,71]	15.8 [1,8]
NT23-010	NT60-010	10:1	163 [7,1]	58 [6,6]	54 [6,1]	52 [5,9]	250 [28,2]	0.14 [0,016]	6.3 [0,71]	15.8 [1,8]
NT23-015	NT60-015	15:1	124 [14,0]	110 [12,4]	105 [11,9]	100 [11,3]	250 [28,3]	0.21 [0,024]	6.3 [0,71]	15.8 [1,8]
NT23-020	NT60-020	20:1	180 [20,3]	147 [16,6]	130 [14,7]	120 [13,6]	275 [31,1]	0.21 [0,024]	6.3 [0,71]	15.8 [1,8]
NT23-025	NT60-025	25:1	175 [9,8]	142 [16,0]	125 [14,1]	115 [13,0]	250 [28,3]	0.21 [0,024]	6.3 [0,71]	15.8 [1,8]
NT23-030	NT60-030	30:1	207 [23,4]	182 [20,6]	157 [17,7]	147 [16,6]	275 [31,1]	0.13 [0,015]	6.3 [0,71]	15.8 [1,8]
NT23-040	NT60-040	40:1	207 [23,4]	182 [20,6]	157 [17,7]	147 [16,6]	275 [31,1]	0.13 [0,015]	6.3 [0,71]	15.8 [1,8]
NT23-050	NT60-050	50:1	202 [22,8]	175 [19,8]	152 [17,2]	142 [16,0]	275 [31,1]	0.13 [0,015]	6.3 [0,71]	15.8 [1,8]
NT23-070	NT60-070	70:1	197 [22,3]	172 [19,4]	147 [16,6]	137 [15,5]	275 [31,1]	0.13 [0,015]	6.3 [0,71]	15.8 [1,8]
NT23-100	NT60-100	100:1	85 [9,6]	79 [8,9]	74 [8,9]	73 [8,2]	275 [31,1]	0.13 [0,015]	6.3 [0,71]	15.8 [1,8]

All ratios are available to ship in 24 hours through the Gearhead Express Program.

<sup>1</sup> Ratios are exact, higher ratios and other custom options are also available, consult factory.

T<sub>r</sub> = Rated output torque at rated speed for specific hours of life.

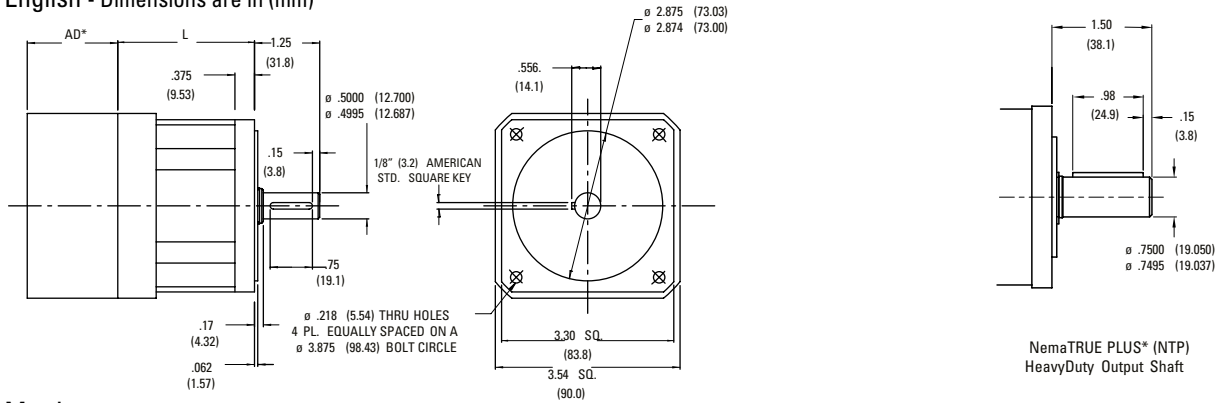
T<sub>peak</sub> = Allowable momentary peak torque for emergency stop or heavy shock loading.  
J = Mass moment of inertia reflected to the input shaft (including pinion assembly).

# NemaTRUE™ Size 34/90

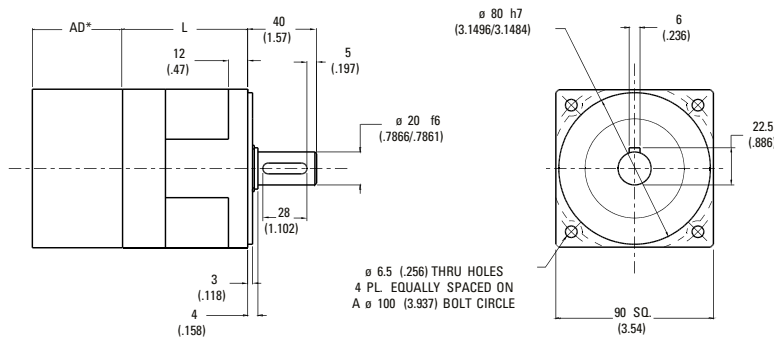
## True Planetary™ Gearheads

English

English - Dimensions are in (mm)



Metric - Dimensions are mm (in)



Ratio <sup>1</sup>	NT34	NT90	Backlash [arc-min]		Weight lb [kg]	Efficiency
	Dimension 'L' in [mm]	Dimension 'L' in [mm]	Precision	High Precision		
3:1 to 10:1	2.68 [68,0]	2.63 [66,8]	13 max	8 max	4.2 [1,9]	93%
15:1 to 100:1	3.53 [89,6]	3.53 [89,7]	15 max	9 max	5.6 [2,5]	88%

AD\*\* = Adapter length  
 Adapter length will vary depending on motor.  
 Efficiency is calculated at 100% of the rated torque.

## Performance Specifications

Part Number		Ratio <sup>1</sup>	20000 Hour Life				T <sub>peak</sub> in-lb [Nm]	J in-lb-sec <sup>2</sup> x10 <sup>-4</sup> [kg-cm <sup>2</sup> ]	Torsional Stiffness in-lb/arc-min [Nm/arc-min]	
English	Metric		T <sub>r</sub> (1000 rpm) in-lb [Nm]	T <sub>r</sub> (2000 rpm) in-lb [Nm]	T <sub>r</sub> (3000 rpm) in-lb [Nm]	T <sub>r</sub> (4000 rpm) in-lb [Nm]			NT	NTP
NT34-003	NT90-003		3:1	360 [40,7]	320 [36,2]	295 [33,3]			270 [30,5]	510 [57,6]
NT34-004	NT90-004	4:1	515 [58,2]	425 [48,0]	380 [42,9]	350 [39,6]	700 [79,1]	1.20 [0,140]	16.8 [1,9]	48 [5,4]
NT34-005	NT90-005	5:1	490 [55,4]	400 [45,2]	355 [40,1]	325 [36,7]	700 [79,1]	1.20 [0,140]	16.8 [1,9]	48 [5,4]
NT34-007	NT90-007	7:1	470 [53,1]	380 [42,9]	335 [37,9]	305 [34,5]	700 [79,1]	1.20 [0,140]	16.8 [1,9]	48 [5,4]
NT34-010	NT90-010	10:1	238 [26,9]	212 [24,0]	200 [22,6]	192 [21,7]	700 [79,1]	0.66 [0,075]	16.8 [1,9]	48 [5,4]
NT34-015	NT90-015	15:1	454 [51,3]	416 [47,0]	391 [44,2]	373 [42,1]	850 [96,0]	1.20 [0,140]	16.8 [1,9]	48 [5,4]
NT34-020	NT90-020	20:1	677 [76,5]	620 [70,1]	587 [66,3]	551 [62,3]	850 [96,1]	1.20 [0,140]	16.8 [1,9]	48 [5,4]
NT34-025	NT90-025	25:1	652 [73,7]	595 [67,2]	562 [63,5]	526 [59,4]	850 [96,0]	1.20 [0,140]	16.8 [1,9]	48 [5,4]
NT34-030	NT90-030	30:1	500 [56,5]	454 [51,3]	432 [48,8]	416 [47,0]	850 [96,0]	0.66 [0,075]	16.8 [1,9]	48 [5,4]
NT34-040	NT90-040	40:1	770 [87,0]	702 [79,3]	668 [75,5]	620 [70,1]	850 [96,1]	0.65 [0,074]	16.8 [1,9]	48 [5,4]
NT34-050	NT90-050	50:1	720 [81,4]	652 [73,7]	618 [69,8]	595 [67,2]	850 [96,0]	0.65 [0,074]	16.8 [1,9]	48 [5,4]
NT34-070	NT90-070	70:1	770 [87,0]	702 [79,3]	668 [75,5]	620 [70,1]	850 [96,1]	0.65 [0,074]	16.8 [1,9]	48 [5,4]
NT34-100	NT90-100	100:1	325 [36,7]	295 [33,3]	280 [31,6]	270 [30,5]	700 [79,1]	0.65 [0,074]	16.8 [1,9]	48 [5,4]

All ratios are available to ship in 24 hours through the Gearhead Express Program.

<sup>1</sup> Ratios are exact, higher ratios and other custom options are also available, consult factory.

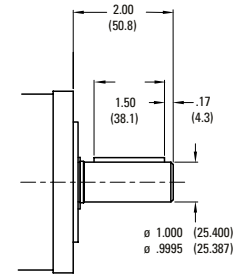
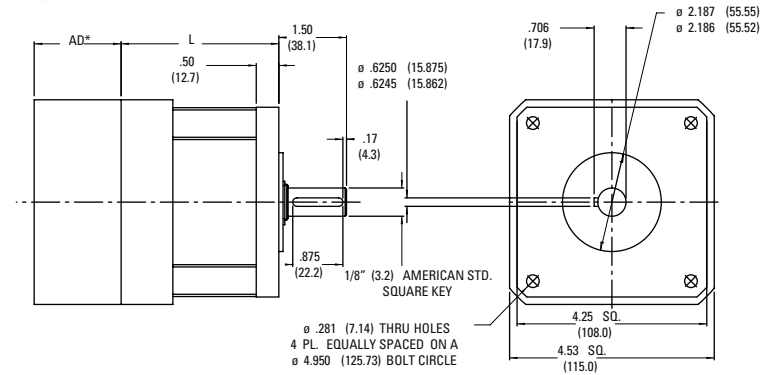
T<sub>r</sub> = Rated output torque at rated speed for specific hours of life.

T<sub>peak</sub> = Allowable momentary peak torque for emergency stop or heavy shock loading.  
 J = Mass moment of inertia reflected to the input shaft (including pinion assembly).

# NemaTRUE™ Size 42/115

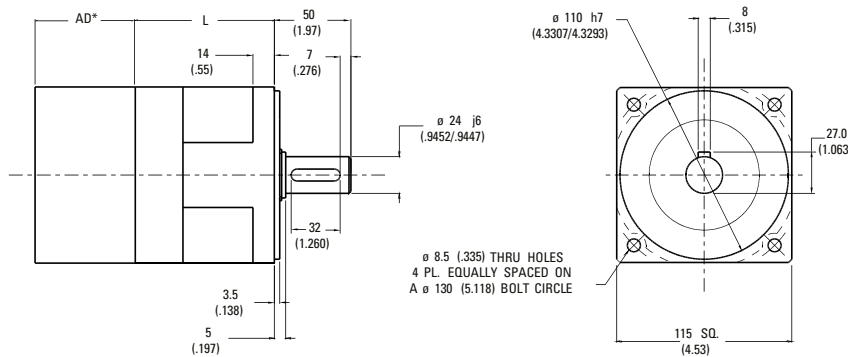
## True Planetary™ Gearheads

English - Dimensions are in (mm)



NemaTRUE PLUS\* (NTP)  
HeavyDuty Output Shaft

Metric - Dimensions are mm (in)



Ratio <sup>1</sup>	NT42	NT115	Backlash [arc-min]		Weight lb [kg]	Efficiency
	Dimension 'L' in [mm]	Dimension 'L' in [mm]	Precision	High Precision		
3:1 to 10:1	3.49 [88,6]	3.46 [87,9]	13 max	8 max	8.9 [4.0]	93%
15:1 to 100:1	4.72 [119,9]	4.69 [119,1]	15 max	9 max	11.7 [5.3]	88%

AD\*\* = Adapter length  
Adapter length will vary depending on motor.  
Efficiency is calculated at 100% of the rated torque.

## Performance Specifications

Part Number		Ratio <sup>1</sup>	20000 Hour Life				T <sub>peak</sub> in-lb [Nm]	J in-lb-sec <sup>2</sup> x10 <sup>-4</sup> [kg-cm <sup>2</sup> ]	Torsional Stiffness in-lb/arc-min [Nm/arc-min]	
English	Metric		T <sub>r</sub> (1000 rpm) in-lb [Nm]	T <sub>r</sub> (2000 rpm) in-lb [Nm]	T <sub>r</sub> (3000 rpm) in-lb [Nm]	T <sub>r</sub> (4000 rpm) in-lb [Nm]			NT	NTP
NT42-003	NT115-003	3:1	690 [78.0]	594 [67.1]	530 [59.9]	485 [54.8]	1000 [113.0]	14 [1.6]	31 [3.5]	154 [17.4]
NT42-004	NT115-004	4:1	850 [96.1]	698 [78.9]	622 [70.3]	570 [64.4]	1000 [113.0]	3.80 [0.43]	31 [3.5]	154 [17.4]
NT42-005	NT115-005	5:1	810 [55.4]	400 [45.2]	355 [40.1]	325 [36.7]	1000 [113.0]	3.80 [0.43]	31 [3.5]	154 [17.4]
NT42-007	NT115-007	7:1	790 [89.3]	638 [72.1]	562 [63.5]	510 [57.6]	1000 [113.0]	3.80 [0.43]	31 [3.5]	154 [17.4]
NT42-010	NT115-010	10:1	460 [52.0]	412 [46.6]	388 [43.8]	370 [41.8]	1000 [113.0]	1.9 [0.21]	31 [3.5]	154 [17.4]
NT42-015	NT115-015	15:1	454 [51.3]	416 [47.0]	391 [44.2]	373 [42.1]	1600 [180.8]	3.9 [0.44]	31 [3.5]	154 [17.4]
NT42-020	NT115-020	20:1	1290 [145.8]	1090 [123.2]	985 [111.3]	905 [102.3]	1600 [180.8]	3.70 [0.42]	31 [3.5]	154 [17.4]
NT42-025	NT115-025	25:1	1250 [141.2]	1050 [118.6]	945 [106.8]	865 [97.7]	1600 [180.8]	3.70 [0.42]	31 [3.5]	154 [17.4]
NT42-030	NT115-030	30:1	972 [109.8]	878 [99.2]	842 [95.1]	805 [91.0]	1600 [180.8]	1.9 [0.21]	31 [3.5]	154 [17.4]
NT42-040	NT115-040	40:1	1435 [162.2]	1290 [145.8]	1190 [134.5]	1090 [123.2]	1600 [180.8]	1.80 [0.20]	31 [3.5]	154 [17.4]
NT42-050	NT115-050	50:1	1395 [157.6]	1250 [141.2]	1150 [118.6]	1050 [118.6]	1600 [180.8]	1.80 [0.20]	31 [3.5]	154 [17.4]
NT42-070	NT115-070	70:1	1375 [155.4]	1230 [139.0]	1130 [127.7]	1030 [116.4]	1600 [180.8]	1.80 [0.20]	31 [3.5]	154 [17.4]
NT42-100	NT115-100	100:1	630 [71.2]	575 [65.0]	540 [61.0]	522 [59.0]	1200 [135.6]	1.80 [0.20]	31 [3.5]	154 [17.4]

All ratios are available to ship in 24 hours through the Gearhead Express Program.

<sup>1</sup> Ratios are exact, higher ratios and other custom options are also available, consult factory.

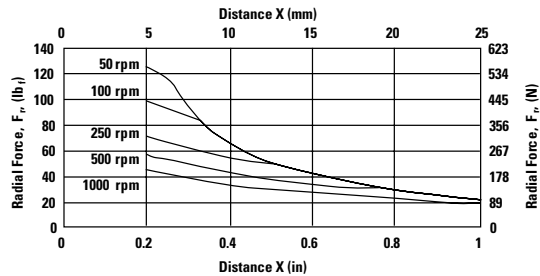
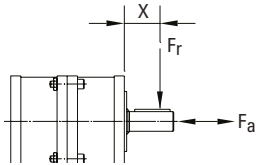
T<sub>r</sub> = Rated output torque at rated speed for specific hours of life.

T<sub>peak</sub> = Allowable momentary peak torque for emergency stop or heavy shock loading.  
J = Mass moment of inertia reflected to the input shaft (including pinion assembly).



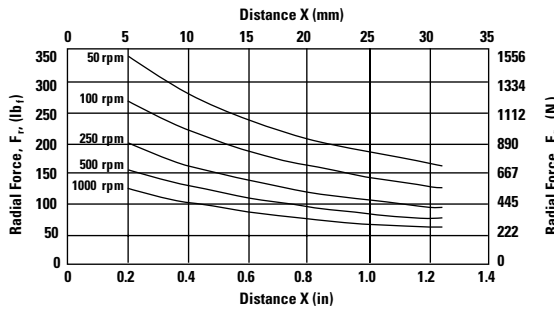
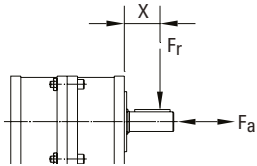
# Radial and Axial Load Ratings

## NT17



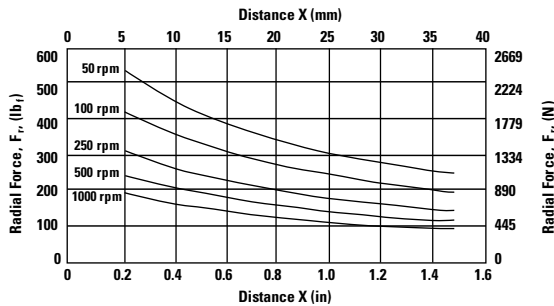
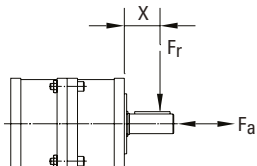
Speed rpm	Axial Load, $F_a$ lb <sub>f</sub> [N]
250	138 [614]

## NT23, NTP23, NT60



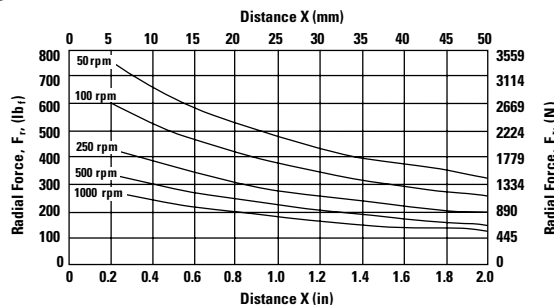
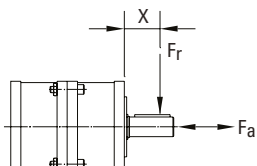
Speed rpm	Axial Load, $F_a$ lb <sub>f</sub> [N]
250	310 [1379]

## NT34, NTP34, NT90



Speed rpm	Axial Load, $F_a$ lb <sub>f</sub> [N]
250	510 [2269]

## NT42, NTP42, NT115



Speed rpm	Axial Load, $F_a$ lb <sub>f</sub> [N]
250	760 [3380]

Sold & Serviced By:

**ELECTROMATE**

Toll Free Phone (877) SERV098

Toll Free Fax (877) SERV099

www.electromate.com

sales@electromate.com

These graphs display the allowable radial load at a given distance (X) from the mounting surface based on an L<sub>10</sub> life of 10,000 hours for the mean output speed  $n_{mout}$ , as described on page 10,

# NemaTRUE™ 90

## Right Angle Gearheads

Ready for Immediate Delivery	
Precision	13 arc-minutes
Frame Sizes	NEMA 23, 34, 42
Torque Capacity	up to 255 Nm
Ratio Availability	1:1 thru 500:1
Radial load capacity	up to 2900 N
Mounting System	RediMount™

- 1 Tapered Roller bearings**  
provide high radial and axial load capacity
- 2 Innovative PowerTRUE\* gearing**  
delivers smooth, quiet geared reduction
- 3 Tapered roller bearings**  
provide high axial load carrying capabilities
- 4 HRC 55-60 steel gears**  
provide superior wear resistance and increased backlash integrity
- 5 RediMount system**  
provides error-free motor installation



Sold & Serviced By:

 **ELECTROMATE**

Toll Free Phone (877) SERV098

Toll Free Fax (877) SERV099

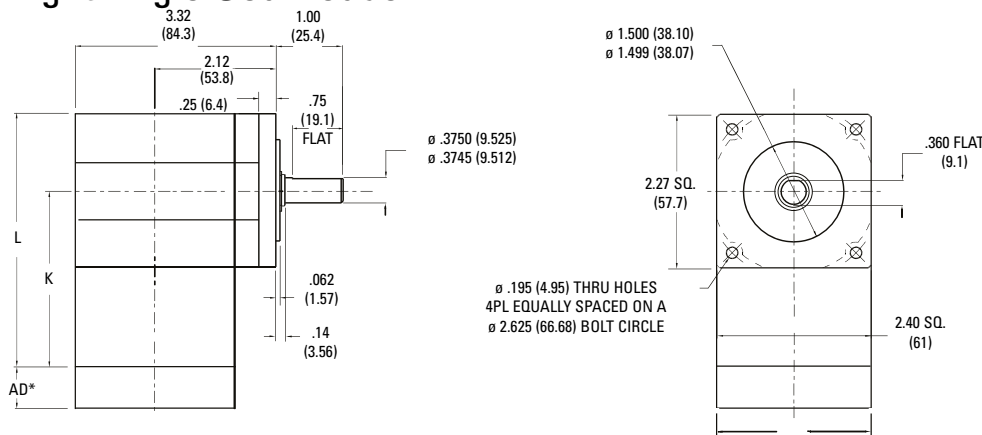
[www.electromate.com](http://www.electromate.com)

[sales@electromate.com](mailto:sales@electromate.com)

# NemaTRUE™ 90 Size 23

## Right Angle Gearheads

English



Ratio <sup>1</sup>	Dimension 'K' in [mm]	Dimension 'L' in [mm]	Backlash [arc-min]	Weight lb [kg]	Efficiency
1:1 to 5:1P	3.11 [79]	4.31 [109,5]	13 max	3.0 [1,4]	98%
5:1T to 50:1	3.79 [96]	4.99 [127]	15 max	3.4 [1,5]	93%
60:1 to 500:1	4.48 [114]	5.68 [144]	15 max	3.8 [1,6]	88%

Dimensions are inch (mm)  
AD\*\* = Adapter length  
Adapter length will vary depending on motor.  
Efficiency is calculated at 100% of the rated torque.

## Performance Specifications

Part Number	Ratio <sup>1</sup>	10000 Hour Life			T <sub>peak</sub> in-lb [Nm]	20000 Hour Life			J in-lb-sec <sup>2</sup> x10 <sup>-4</sup> [kg-cm <sup>2</sup> ]	Torsional Stiffness in-lb/arc-min [Nm/arc-min]
		T <sub>r</sub> (1000 rpm) in-lb [Nm]	T <sub>r</sub> (3000 rpm) in-lb [Nm]	T <sub>r</sub> (5000 rpm) in-lb [Nm]		T <sub>r</sub> (1000 rpm) in-lb [Nm]	T <sub>r</sub> (3000 rpm) in-lb [Nm]	T <sub>r</sub> (5000 rpm) in-lb [Nm]		
NTR23-001	1:1	59 [7]	54 [6]	49 [6]	195 [22]	54 [6]	50 [6]	45 [5]	7.01 [0,79]	5.6 [0,6]
NTR23-002	2:1	130 [15]	118 [13]	107 [12]	360 [41]	120 [14]	109 [12]	99 [11]	3.59 [0,41]	8.5 [1,0]
NTR23-003	3:1	83 [9]	75 [9]	68 [8]	270 [31]	76 [9]	70 [8]	63 [7]	3.09 [0,35]	9.6 [1,1]
NTR23-004	4:1	61 [7]	56 [6]	50 [6]	238 [27]	56 [6]	51 [6]	46 [5]	2.87 [0,32]	10.1 [1,1]
NTR23-005P	5:1P	50 [6]	46 [5]	41 [5]	180 [20]	46 [5]	42 [5]	38 [4]	2.81 [0,32]	10.3 [1,2]
NTR23-005T	5:1T	179 [20]	153 [17]	138 [16]	366 [41]	175 [20]	132 [15]	112 [13]	3.69 [0,42]	10.3 [1,2]
NTR23-006	6:1	153 [17]	130 [15]	126 [14]	366 [41]	149 [17]	120 [14]	116 [13]	3.67 [0,41]	6.7 [0,8]
NTR23-009	9:1	97 [11]	83 [9]	80 [9]	289 [33]	95 [11]	76 [9]	74 [8]	3.08 [0,35]	8.5 [1,0]
NTR23-010	10:1	157 [18]	144 [16]	130 [15]	366 [41]	155 [18]	138 [16]	120 [14]	3.48 [0,39]	6.6 [0,7]
NTR23-012	12:1	72 [8]	61 [7]	59 [7]	252 [28]	70 [8]	56 [6]	55 [6]	2.95 [0,33]	9.3 [1,1]
NTR23-015	15:1	100 [11]	91 [10]	83 [9]	297 [34]	99 [11]	88 [10]	76 [9]	2.89 [0,33]	9.8 [1,1]
NTR23-020	20:1	74 [8]	67 [8]	61 [7]	366 [41]	73 [8]	64 [7]	56 [6]	2.76 [0,31]	9.3 [1,0]
NTR23-025	25:1	60 [7]	55 [6]	50 [6]	198 [22]	60 [7]	53 [6]	46 [5]	2.71 [0,31]	9.8 [1,1]
NTR23-030	30:1	102 [12]	98 [11]	94 [11]	305 [34]	102 [11]	96 [11]	90 [10]	2.83 [0,32]	8.0 [0,9]
NTR23-040	40:1	75 [9]	72 [8]	69 [8]	263 [30]	75 [8]	71 [8]	67 [8]	2.69 [0,30]	9.0 [1,0]
NTR23-050	50:1	62 [7]	59 [7]	57 [6]	203 [23]	61 [7]	58 [7]	55 [6]	2.64 [0,30]	9.6 [1,1]
NTR23-060	60:1	163 [18]	161 [18]	158 [18]	366 [41]	163 [18]	160 [18]	157 [18]	3.68 [0,42]	6.5 [0,7]
NTR23-075	75:1	104 [12]	102 [12]	100 [11]	311 [35]	103 [12]	101 [11]	99 [11]	2.95 [0,33]	8.4 [0,9]
NTR23-090	90:1	104 [12]	102 [12]	101 [11]	313 [35]	103 [12]	102 [11]	100 [11]	3.09 [0,35]	8.3 [0,9]
NTR23-100	100:1	163 [18]	162 [18]	161 [18]	366 [41]	163 [18]	161 [18]	160 [18]	3.50 [0,40]	6.5 [0,7]
NTR23-120	120:1	76 [9]	75 [9]	74 [8]	270 [31]	76 [9]	75 [8]	73 [8]	2.96 [0,33]	9.2 [1,0]
NTR23-125	125:1	63 [7]	62 [7]	60 [7]	207 [23]	62 [7]	61 [7]	60 [7]	2.76 [0,31]	9.7 [1,1]
NTR23-150	150:1	104 [12]	103 [12]	102 [12]	316 [36]	104 [12]	103 [12]	102 [11]	2.91 [0,33]	8.4 [0,9]
NTR23-200	200:1	164 [19]	163 [18]	162 [18]	366 [41]	164 [18]	163 [18]	162 [18]	3.43 [0,39]	6.1 [0,7]
NTR23-250	250:1	63 [7]	62 [7]	62 [7]	207 [23]	63 [7]	62 [7]	61 [7]	2.72 [0,31]	9.7 [1,1]
NTR23-300	300:1	104 [12]	104 [12]	103 [12]	319 [36]	104 [12]	104 [12]	103 [12]	2.84 [0,32]	8.0 [0,9]
NTR23-400	400:1	77 [9]	76 [9]	76 [9]	274 [31]	77 [9]	76 [9]	76 [9]	2.71 [0,31]	9.0 [1,0]
NTR23-500	500:1	63 [7]	63 [7]	62 [7]	207 [23]	63 [7]	63 [7]	62 [7]	2.66 [0,30]	9.6 [1,1]

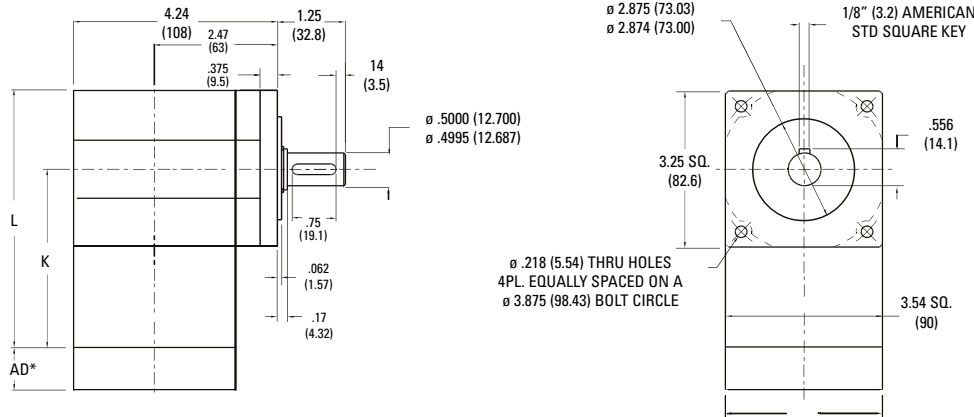
Ratio 5P is designed using only PowerTRUE face gearing technology.  
Ratio 5T adds a True Planetary gearing stage for increased torque capacity.  
<sup>1</sup> Ratios are exact, higher ratios and other custom options are also available, consult factory.

T<sub>r</sub> = Rated output torque at rated speed for specific hours of life.  
J = Mass moment of inertia reflected to the input shaft (including pinion assembly)  
T<sub>peak</sub> = Allowable momentary peak torque for emergency stop or heavy shock loading.

# NemaTRUE™ 90 Size 34

## Right Angle Gearheads

## English



Ratio <sup>1</sup>	Dimension 'K' in [mm]	Dimension 'L' in [mm]	Backlash [arc-min]	Weight lb [kg]	Efficiency
1:1 to 5:1P	3.99 [101]	5.76 [146]	13 max	6.0 [2,7]	98%
5:1T to 50:1	4.89 [124]	6.66 [169]	15 max	7.4 [3,4]	93%
60:1 to 500:1	5.79 [147]	7.56 [192]	15 max	8.8 [4,0]	88%

Dimensions are inch (mm)  
 AD\*\* = Adapter length  
 Adapter length will vary depending on motor.  
 Efficiency is calculated at 100% of the rated torque.

## Performance Specifications

Part Number	Ratio <sup>1</sup>	10000 Hour Life			T <sub>peak</sub> in-lb [Nm]	20000 Hour Life			J in-lb-sec <sup>2</sup> ×10 <sup>4</sup> [kg-cm <sup>2</sup> ]	Torsional Stiffness in-lb/arc-min [Nm/arc-min]
		T <sub>r</sub> (1000 rpm) in-lb [Nm]	T <sub>r</sub> (3000 rpm) in-lb [Nm]	T <sub>r</sub> (5000 rpm) in-lb [Nm]		T <sub>r</sub> (1000 rpm) in-lb [Nm]	T <sub>r</sub> (3000 rpm) in-lb [Nm]	T <sub>r</sub> (5000 rpm) in-lb [Nm]		
NTR34-001	1:1	168 [19]	153 [17]	139 [16]	493 [56]	155 [18]	142 [16]	128 [14]	27.5 [3,11]	12.6 [1,4]
NTR34-002	2:1	381 [43]	348 [39]	315 [36]	1113 [126]	352 [40]	321 [36]	291 [33]	14.1 [1,59]	19.1 [2,2]
NTR34-003	3:1	251 [28]	229 [26]	207 [23]	905 [102]	232 [26]	212 [24]	192 [22]	12.1 [1,37]	21.5 [2,4]
NTR34-004	4:1	192 [22]	176 [20]	159 [18]	695 [79]	178 [20]	162 [18]	147 [17]	11.2 [1,27]	22.6 [2,5]
NTR34-005P	5:1P	142 [16]	129 [15]	117 [13]	581 [66]	131 [15]	119 [13]	108 [12]	11.0 [1,25]	23.1 [2,6]
NTR34-005T	5:1T	508 [57]	432 [49]	420 [47]	1113 [126]	497 [56]	399 [45]	387 [44]	14.5 [1,64]	23.1 [2,6]
NTR34-006	6:1	448 [51]	381 [43]	370 [42]	1113 [126]	439 [50]	352 [40]	342 [39]	14.4 [1,63]	15.0 [1,7]
NTR34-009	9:1	296 [33]	251 [28]	244 [28]	986 [111]	289 [33]	232 [26]	225 [25]	12.1 [1,37]	19.0 [2,1]
NTR34-010	10:1	462 [52]	422 [48]	381 [43]	1113 [126]	456 [52]	404 [46]	352 [40]	13.7 [1,54]	14.8 [1,7]
NTR34-012	12:1	226 [26]	192 [22]	187 [21]	752 [85]	221 [25]	178 [20]	173 [19]	11.6 [1,31]	20.9 [2,4]
NTR34-015	15:1	305 [34]	278 [31]	251 [28]	1018 [115]	301 [34]	266 [30]	232 [26]	11.3 [1,28]	21.9 [2,5]
NTR34-020	20:1	233 [26]	213 [24]	192 [22]	1113 [126]	230 [26]	204 [23]	178 [20]	10.8 [1,22]	20.8 [2,4]
NTR34-025	25:1	172 [19]	157 [18]	142 [16]	635 [72]	169 [19]	150 [17]	131 [15]	10.6 [1,20]	21.9 [2,5]
NTR34-030	30:1	311 [35]	298 [34]	285 [32]	1045 [118]	309 [35]	292 [33]	275 [31]	11.1 [1,25]	17.9 [2,0]
NTR34-040	40:1	238 [27]	228 [26]	218 [25]	792 [89]	237 [27]	224 [25]	210 [24]	10.6 [1,19]	20.2 [2,3]
NTR34-050	50:1	175 [20]	168 [19]	160 [18]	653 [74]	174 [20]	165 [19]	155 [18]	10.4 [1,17]	21.4 [2,4]
NTR34-060	60:1	479 [54]	472 [53]	465 [53]	1113 [126]	478 [54]	469 [53]	460 [52]	14.4 [1,63]	14.5 [1,6]
NTR34-075	75:1	315 [36]	310 [35]	305 [34]	1080 [122]	314 [36]	308 [35]	301 [34]	11.6 [1,31]	18.7 [2,1]
NTR34-090	90:1	316 [36]	311 [35]	307 [35]	1085 [123]	315 [36]	309 [35]	304 [34]	12.1 [1,37]	18.6 [2,1]
NTR34-100	100:1	480 [54]	476 [54]	472 [53]	1113 [126]	479 [54]	474 [54]	469 [53]	13.7 [1,55]	14.6 [1,7]
NTR34-120	120:1	242 [27]	238 [27]	235 [27]	817 [92]	241 [27]	237 [27]	232 [26]	11.6 [1,31]	20.7 [2,3]
NTR34-125	125:1	178 [20]	175 [20]	172 [19]	666 [75]	177 [20]	173 [20]	169 [19]	10.8 [1,23]	21.8 [2,5]
NTR34-150	150:1	317 [36]	314 [35]	311 [35]	1096 [124]	316 [36]	313 [35]	309 [35]	11.4 [1,29]	18.7 [2,1]
NTR34-200	200:1	481 [54]	479 [54]	477 [54]	1113 [126]	481 [54]	478 [54]	475 [54]	13.5 [1,52]	13.6 [1,5]
NTR34-250	250:1	178 [20]	177 [20]	175 [20]	675 [76]	178 [20]	176 [20]	174 [20]	10.7 [1,21]	21.8 [2,5]
NTR34-300	300:1	317 [36]	316 [36]	315 [36]	1107 [125]	317 [36]	315 [36]	314 [35]	11.1 [1,26]	17.9 [2,0]
NTR34-400	400:1	243 [27]	242 [27]	241 [27]	832 [94]	243 [27]	241 [27]	240 [27]	10.6 [1,20]	20.2 [2,3]
NTR34-500	500:1	179 [20]	178 [20]	177 [20]	680 [77]	179 [20]	178 [20]	177 [20]	10.4 [1,18]	21.4 [2,4]

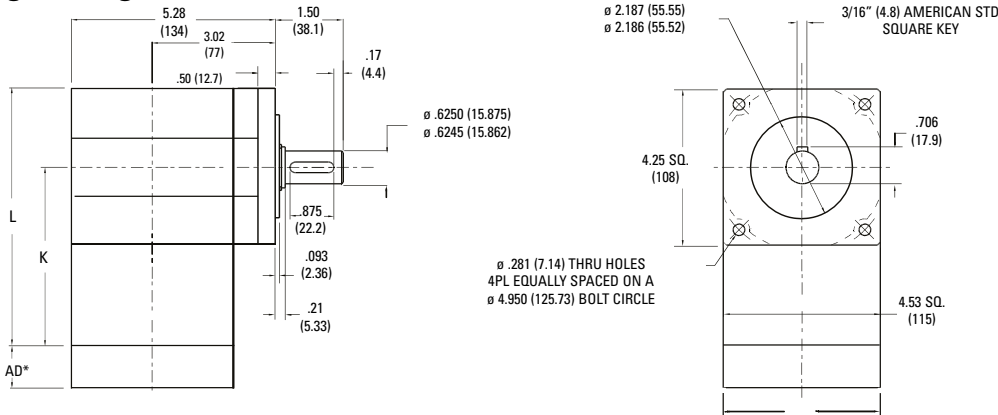
Ratio 5P is designed using only PowerTRUE face gearing technology.  
 Ratio 5T adds a True Planetary gearing stage for increased torque capacity.  
<sup>1</sup> Ratios are exact, higher ratios and other custom options are also available, consult factory.

T<sub>r</sub> = Rated output torque at rated speed for specific hours of life.  
 J = Mass moment of inertia reflected to the input shaft (including pinion assembly)  
 T<sub>peak</sub> = Allowable momentary peak torque for emergency stop or heavy shock loading.

# NemaTRUE™ 90 Size 42

## Right Angle Gearheads

English



Ratio <sup>1</sup>	Dimension 'K' in [mm]	Dimension 'L' in [mm]	Backlash [arc-min]	Weight lb [kg]	Efficiency
1:1 to 5:1P	5.40 [137]	7.67 [195]	13 max	12 [5,4]	98%
5:1T to 50:1	6.63 [168,4]	8.90 [226]	15 max	14.8 [6,7]	93%
60:1 to 500:1	7.87 [200]	10.13 [257]	15 max	17.6 [8,0]	88%

Dimensions are inch (mm)  
 AD\*\* = Adapter length  
 Adapter length will vary depending on motor.  
 Efficiency is calculated at 100% of the rated torque.

## Performance Specifications

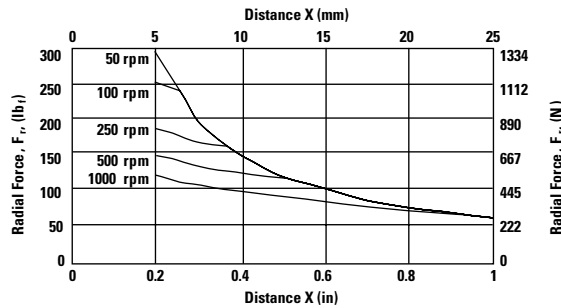
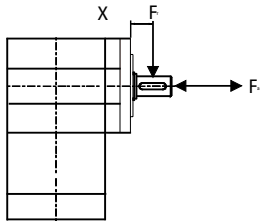
Part Number	Ratio <sup>1</sup>	10000 Hour Life			T <sub>peak</sub> in-lb [Nm]	20000 Hour Life			J in-lb-sec <sup>2</sup> x10 <sup>-4</sup> [kg-cm <sup>2</sup> ]	Torsional Stiffness in-lb/arc-min [Nm/arc-min]
		T <sub>r</sub> (1000 rpm) in-lb [Nm]	T <sub>r</sub> (3000 rpm) in-lb [Nm]	T <sub>r</sub> (5000 rpm) in-lb [Nm]		T <sub>r</sub> (1000 rpm) in-lb [Nm]	T <sub>r</sub> (3000 rpm) in-lb [Nm]	T <sub>r</sub> (5000 rpm) in-lb [Nm]		
NTR42-001	1:1	496 [56]	452 [51]	409 [46]	1620 [183]	458 [52]	418 [47]	378 [43]	46.7 [5,28]	15.0 [1,7]
NTR42-002	2:1	885 [100]	808 [91]	730 [83]	2255 [255]	817 [92]	746 [84]	674 [76]	23.9 [2,71]	24.7 [2,8]
NTR42-003	3:1	687 [78]	627 [71]	567 [64]	2039 [230]	635 [72]	579 [65]	524 [59]	20.6 [2,33]	28.0 [3,2]
NTR42-004	4:1	458 [52]	418 [47]	378 [43]	1584 [179]	423 [48]	386 [44]	349 [39]	19.1 [2,16]	29.4 [3,3]
NTR42-005P	5:1P	343 [39]	313 [35]	283 [32]	1305 [147]	317 [36]	289 [33]	261 [30]	18.8 [2,12]	30.0 [3,4]
NTR42-005T	5:1T	1346 [152]	1117 [126]	958 [108]	2255 [255]	1262 [143]	907 [102]	778 [88]	24.6 [2,78]	30.0 [3,4]
NTR42-006	6:1	1041 [118]	885 [100]	859 [97]	2255 [255]	1018 [115]	817 [92]	794 [90]	24.5 [2,77]	20.1 [2,3]
NTR42-009	9:1	808 [91]	687 [78]	667 [75]	2241 [253]	791 [89]	635 [72]	616 [70]	20.5 [2,32]	25.1 [2,8]
NTR42-010	10:1	1072 [121]	979 [111]	885 [100]	2255 [255]	1059 [120]	938 [106]	817 [92]	23.2 [2,63]	20.1 [2,3]
NTR42-012	12:1	538 [61]	458 [52]	444 [50]	1728 [195]	526 [59]	423 [48]	410 [46]	19.6 [2,22]	27.5 [3,1]
NTR42-015	15:1	832 [94]	760 [86]	687 [78]	2255 [255]	822 [93]	728 [82]	635 [72]	19.3 [2,18]	28.8 [3,3]
NTR42-020	20:1	554 [63]	506 [57]	458 [52]	2255 [255]	547 [62]	485 [55]	423 [48]	18.4 [2,08]	27.5 [3,1]
NTR42-025	25:1	416 [47]	379 [43]	343 [39]	1458 [165]	410 [46]	364 [41]	317 [36]	18.0 [2,04]	28.8 [3,2]
NTR42-030	30:1	851 [96]	814 [92]	778 [88]	2255 [255]	845 [96]	798 [90]	752 [85]	18.9 [2,13]	24.6 [2,8]
NTR42-040	40:1	566 [64]	542 [61]	518 [59]	1836 [207]	563 [64]	532 [60]	500 [57]	18.0 [2,03]	27.2 [3,1]
NTR42-050	50:1	425 [48]	407 [46]	388 [44]	1499 [169]	422 [48]	399 [45]	375 [42]	17.6 [1,99]	28.5 [3,2]
NTR42-060	60:1	1111 [126]	1095 [124]	1080 [122]	2255 [255]	1109 [125]	1089 [123]	1069 [121]	24.6 [2,78]	19.7 [2,2]
NTR42-075	75:1	861 [97]	847 [96]	832 [94]	2255 [255]	859 [97]	841 [95]	822 [93]	19.7 [2,22]	25.0 [2,8]
NTR42-090	90:1	863 [97]	851 [96]	838 [95]	2255 [255]	861 [97]	845 [96]	830 [94]	20.6 [2,33]	24.8 [2,8]
NTR42-100	100:1	1114 [126]	1105 [125]	1095 [124]	2255 [255]	1113 [126]	1101 [124]	1089 [123]	23.3 [2,64]	19.9 [2,2]
NTR42-120	120:1	574 [65]	566 [64]	558 [63]	1897 [214]	573 [65]	563 [64]	552 [62]	19.7 [2,23]	27.3 [3,1]
NTR42-125	125:1	430 [49]	423 [48]	416 [47]	1539 [174]	429 [48]	420 [47]	410 [46]	18.4 [2,08]	28.7 [3,2]
NTR42-150	150:1	865 [98]	858 [97]	851 [96]	2255 [255]	864 [98]	855 [97]	845 [96]	19.4 [2,19]	25.0 [2,8]
NTR42-200	200:1	1116 [126]	1112 [126]	1107 [125]	2255 [255]	1116 [126]	1110 [125]	1104 [125]	22.9 [2,59]	19.4 [2,2]
NTR42-250	250:1	432 [49]	428 [48]	425 [48]	1562 [176]	431 [49]	427 [48]	422 [48]	18.1 [2,05]	28.7 [3,2]
NTR42-300	300:1	867 [98]	863 [98]	860 [97]	2255 [255]	866 [98]	862 [97]	857 [97]	18.9 [2,14]	24.6 [2,8]
NTR42-400	400:1	577 [65]	575 [65]	572 [65]	1944 [220]	577 [65]	574 [65]	571 [64]	18.1 [2,04]	27.1 [3,1]
NTR42-500	500:1	433 [49]	431 [49]	429 [48]	1580 [178]	433 [49]	430 [49]	428 [48]	17.7 [2,00]	28.5 [3,2]

Ratio 5P is designed using only PowerTRUE face gearing technology.  
 Ratio 5T adds a True Planetary gearing stage for increased torque capacity.  
<sup>1</sup> Ratios are exact, higher ratios and other custom options are also available, consult factory.

T<sub>r</sub> = Rated output torque at rated speed for specific hours of life.  
 J = Mass moment of inertia reflected to the input shaft (including pinion assembly)  
 T<sub>peak</sub> = Allowable momentary peak torque for emergency stop or heavy shock loading.

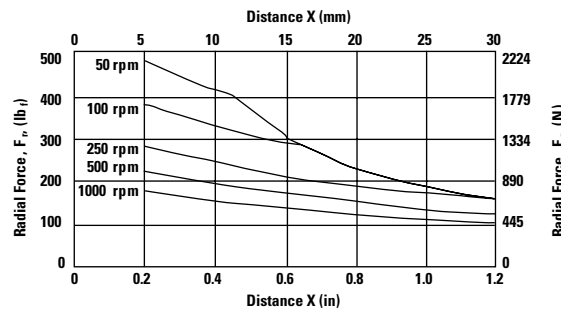
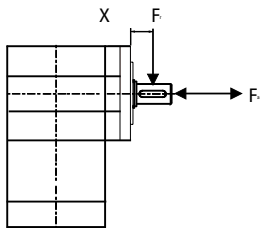
# Radial and Axial Load Ratings

## NTR23



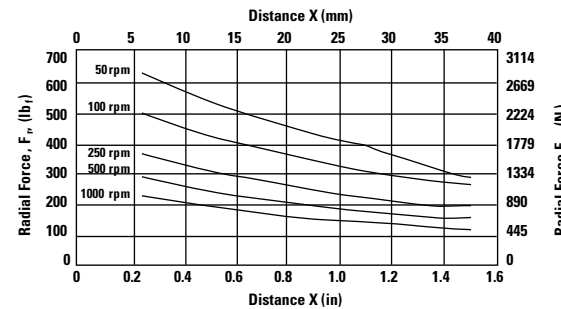
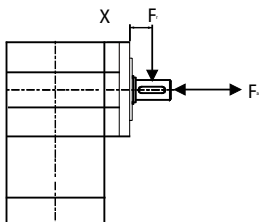
Speed rpm	Axial Load, $F_a$ lb <sub>f</sub> [N]
50	250 [1110]
100	200 [890]
250	150 [670]
500	120 [530]
1000	90 [400]

## NTR34



Speed rpm	Axial Load, $F_a$ lb <sub>f</sub> [N]
50	340 [1510]
100	270 [1200]
250	200 [890]
500	160 [710]
1000	130 [580]

## NTR42



Speed rpm	Axial Load, $F_a$ lb <sub>f</sub> [N]
50	460 [2050]
100	370 [1650]
250	270 [1200]
500	210 [930]
1000	170 [760]

Sold & Serviced By:



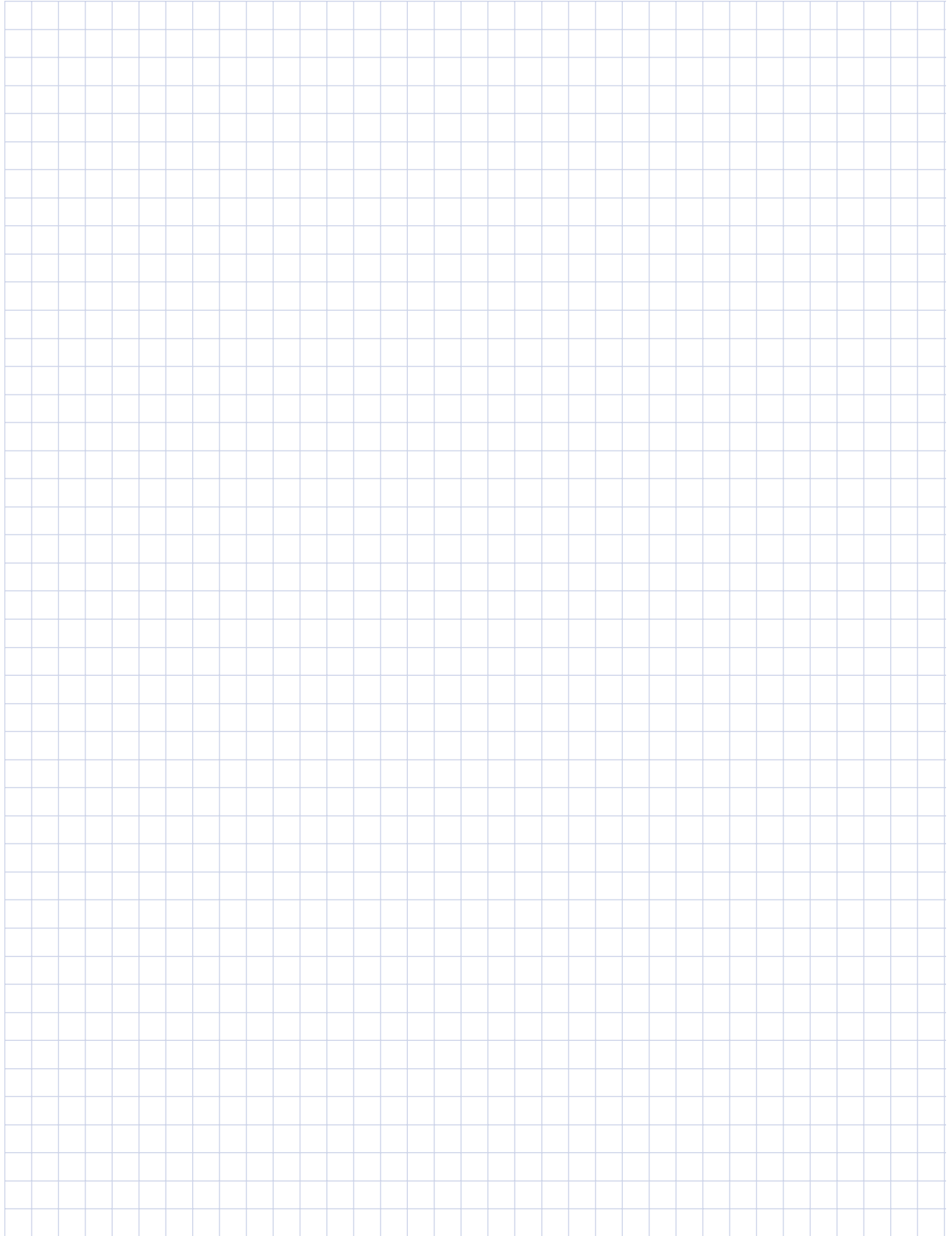
Toll Free Phone (877) SERV098

Toll Free Fax (877) SERV099

www.electromate.com

sales@electromate.com

These graphs display the allowable radial load at a given distance (X) from the mounting surface based on an  $L_{10}$  life of 10,000 hours for the mean output speed  $n_{mout}$ , as described on page 10,

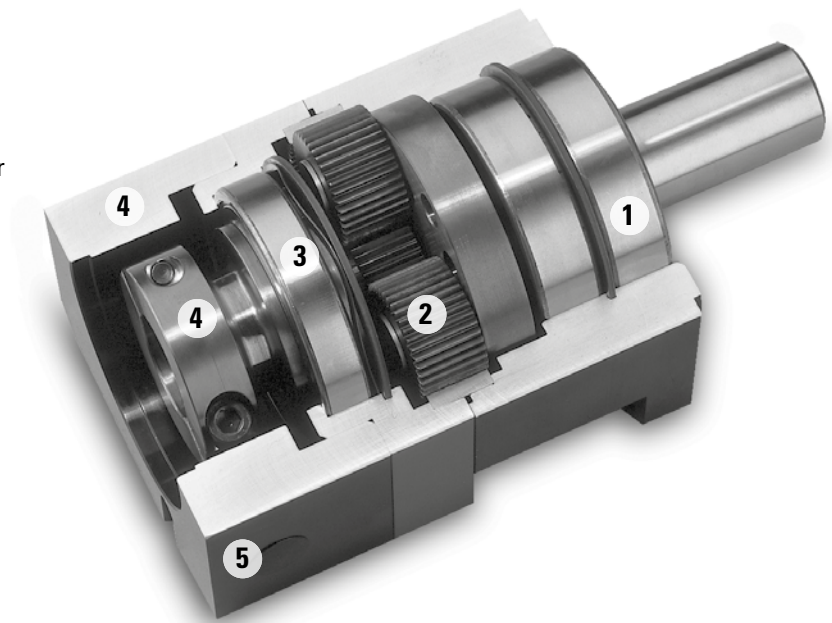


# DuraTRUE™

## True Planetary™ Gearheads

Ready for Immediate Delivery	
<b>Precision</b>	8 arc-minutes
<b>Frame Sizes</b>	60mm, 90mm, 115mm and 142mm
<b>Torque Capacity</b>	up to 834 Nm
<b>Ratio Availability</b>	3:1 thru 100:1
<b>Radial load capacity</b>	up to 11150 N
<b>Mounting System</b>	RediMount™

- ① **Sealed deep groove ball bearings**  
provide high radial load carrying capability
- ② **HRC 55-60 steel gears**  
provide superior wear resistance  
and increased backlash integrity
- ③ **Sealed deep groove ball bearing**  
provides precision alignment of sun gear
- ④ **RediMount™ system**  
provides error-free motor installation
- ⑤ **Anodized aluminum housing**  
reduces weight and prevents corrosion



Sold & Serviced By:

 **ELECTROMATE**

Toll Free Phone (877) SERV098

Toll Free Fax (877) SERV099

[www.electromate.com](http://www.electromate.com)

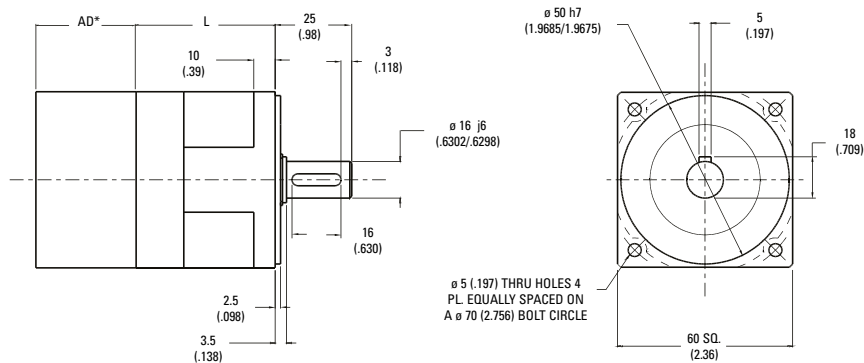
[sales@electromate.com](mailto:sales@electromate.com)



# DuraTRUE™ Size 60

## True Planetary™ Gearheads

Metric



Ratio <sup>1</sup>	Dimension 'L' mm [in]	Backlash [arc-min]	Weight kg [lb]	Efficiency
3:1 to 10:1	53 [2.07]	8 max	1,0 [2.2]	93%
15:1 to 100:1	70 [2.76]	9 max	1,2 [2.7]	88%

All dimensions are: mm (inch)

AD\*\* = Adapter length

Adapter length will vary depending on motor.

Efficiency is calculated at 100% of the rated torque.

## Performance Specifications

Part Number	Ratio <sup>1</sup>	10000 Hour Life				T <sub>peak</sub> Nm [in-lb]	20000 Hour Life				J kg-cm <sup>2</sup> [in-lb-sec <sup>2</sup> ×10 <sup>-4</sup> ]	Torsional Stiffness Nm/arc-min [in-lb/arc-min]
		T <sub>r</sub> (1000 rpm) Nm [in-lb]	T <sub>r</sub> (2000 rpm) Nm [in-lb]	T <sub>r</sub> (3000 rpm) Nm [in-lb]	T <sub>r</sub> (4000 rpm) Nm [in-lb]		T <sub>r</sub> (1000 rpm) Nm [in-lb]	T <sub>r</sub> (2000 rpm) Nm [in-lb]	T <sub>r</sub> (3000 rpm) Nm [in-lb]	T <sub>r</sub> (4000 rpm) Nm [in-lb]		
DT60-003	3:1	15 [134]	12 [109]	11 [97]	89 [10]	52 [460]	12 [109]	10 [89]	9 [79]	8 [72]	0,52 [4.6]	0,9 [8.1]
DT60-004	4:1	19 [168]	16 [142]	14 [124]	115 [13]	44 [385]	16 [142]	13 [115]	12 [106]	11 [97]	0,46 [4.1]	0,9 [7.9]
DT60-005	5:1	17 [148]	14 [120]	12 [106]	98 [11]	46 [410]	14 [120]	11 [98]	10 [86]	9 [79]	0,46 [4.1]	0,9 [7.9]
DT60-007	7:1	16 [142]	13 [115]	11 [97]	89 [10]	41 [363]	13 [115]	10 [89]	9 [80]	8 [71]	0,46 [4.1]	0,9 [7.9]
DT60-010	10:1	15 [134]	14 [121]	13 [114]	108 [12]	45 [400]	14 [124]	13 [112]	11 [100]	10 [92]	0,44 [3.9]	0,8 [6.8]
DT60-015	15:1	25 [218]	20 [177]	18 [157]	144 [16]	52 [460]	20 [177]	16 [144]	14 [127]	13 [117]	0,46 [4.1]	0,9 [8.2]
DT60-020	20:1	26 [230]	24 [212]	21 [186]	177 [20]	46 [407]	24 [212]	20 [177]	18 [159]	17 [150]	0,46 [4.1]	0,9 [7.9]
DT60-025	25:1	24 [214]	22 [195]	19 [172]	158 [18]	52 [456]	22 [195]	18 [158]	16 [140]	15 [128]	0,46 [4.1]	0,9 [8.3]
DT60-030	30:1	28 [246]	25 [218]	22 [193]	177 [20]	52 [460]	25 [218]	20 [177]	18 [157]	16 [144]	0,44 [3.9]	1,0 [8.7]
DT60-040	40:1	27 [239]	26 [230]	26 [230]	212 [24]	46 [407]	27 [239]	24 [212]	21 [186]	20 [177]	0,44 [3.9]	0,9 [8.3]
DT60-050	50:1	25 [222]	24 [214]	24 [209]	195 [22]	52 [460]	25 [217]	22 [195]	19 [172]	18 [158]	0,44 [3.9]	0,9 [8.2]
DT60-070	70:1	24 [212]	23 [204]	23 [204]	186 [21]	46 [407]	24 [212]	21 [186]	18 [159]	17 [150]	0,44 [3.9]	0,9 [8.3]
DT60-100	100:1	20 [180]	19 [165]	18 [157]	151 [17]	51 [447]	19 [167]	17 [153]	16 [145]	16 [140]	0,44 [3.9]	0,9 [7.8]

All ratios are available to ship in 24 hours through the Gearhead Express Program.

Sold & Serviced By:



Toll Free Phone (877) SERV098

Toll Free Fax (877) SERV099

www.electromate.com

sales@electromate.com

<sup>1</sup> Ratios are exact, higher ratios and other custom options are also available, consult factory.

T<sub>r</sub> = Rated output torque at rated speed for specific hours of life.

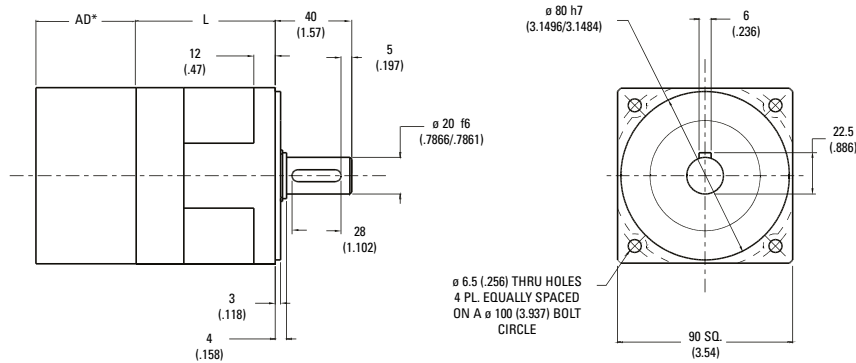
T<sub>peak</sub> = Allowable momentary peak torque for emergency stop or heavy shock loading.

J = Mass moment of inertia reflected to the input shaft (including pinion assembly).

# DuraTRUE™ Size 90

## True Planetary™ Gearheads

Metric



Ratio <sup>1</sup>	Dimension 'L' mm [in]	Backlash [arc-min]	Weight kg [lb]	Efficiency
3:1 to 10:1	67 [2.63]	8 max	3,0 [6.6]	93%
15:1 to 100:1	90 [3.53]	9 max	3,7 [8.1]	88%

All dimensions are: mm (inch)  
 AD\*\* = Adapter length  
 Adapter length will vary depending on motor.  
 Efficiency is calculated at 100% of the rated torque.

## Performance Specifications

Part Number	Ratio <sup>1</sup>	10000 Hour Life				T <sub>peak</sub> Nm [in-lb]	20000 Hour Life				J kg-cm <sup>2</sup> [in-lb-sec <sup>2</sup> x10 <sup>-4</sup> ]	Torsional Stiffness Nm/arc-min [in-lb/arc-min]
		T <sub>r</sub> (1000 rpm) Nm [in-lb]	T <sub>r</sub> (2000 rpm) Nm [in-lb]	T <sub>r</sub> (3000 rpm) Nm [in-lb]	T <sub>r</sub> (4000 rpm) Nm [in-lb]		T <sub>r</sub> (1000 rpm) Nm [in-lb]	T <sub>r</sub> (2000 rpm) Nm [in-lb]	T <sub>r</sub> (3000 rpm) Nm [in-lb]	T <sub>r</sub> (4000 rpm) Nm [in-lb]		
DT90-003	3:1	69 [614]	56 [499]	50 [442]	46 [405]	167 [1479]	56 [499]	46 [405]	41 [359]	37 [329]	2,22 [1.97]	4,9 [43.3]
DT90-004	4:1	80 [708]	67 [593]	60 [531]	55 [487]	157 [1389]	67 [593]	55 [487]	50 [443]	46 [407]	1,84 [1.60]	4,8 [42.4]
DT90-005	5:1	75 [664]	62 [549]	55 [486]	50 [446]	157 [1385]	62 [549]	50 [446]	45 [395]	41 [362]	1,76 [1.56]	4,8 [42.9]
DT90-007	7:1	73 [646]	60 [531]	53 [469]	48 [425]	157 [1389]	60 [531]	48 [425]	43 [381]	38 [336]	1,72 [1.50]	4,8 [42.4]
DT90-010	10:1	55 [488]	50 [439]	46 [411]	44 [392]	157 [1390]	51 [452]	46 [407]	43 [381]	41 [363]	1,63 [1.44]	4,0 [35.6]
DT90-015	15:1	93 [826]	84 [747]	79 [702]	74 [657]	167 [1479]	86 [764]	74 [657]	66 [582]	60 [534]	1,78 [1.58]	4,9 [43.7]
DT90-020	20:1	89 [788]	86 [761]	84 [743]	82 [726]	167 [1478]	88 [779]	84 [743]	77 [681]	71 [628]	1,77 [1.60]	4,8 [42.4]
DT90-025	25:1	84 [747]	81 [714]	78 [693]	77 [677]	167 [1479]	83 [730]	79 [698]	72 [640]	66 [587]	1,77 [1.56]	5,0 [44.5]
DT90-030	30:1	103 [908]	93 [826]	88 [780]	84 [747]	167 [1479]	95 [840]	86 [764]	81 [716]	74 [657]	1,64 [1.45]	4,9 [43.4]
DT90-040	40:1	93 [823]	89 [788]	87 [770]	86 [761]	167 [1478]	91 [805]	88 [779]	86 [761]	84 [743]	1,64 [1.40]	5,0 [44.2]
DT90-050	50:1	88 [776]	84 [747]	82 [728]	81 [714]	167 [1479]	86 [759]	83 [730]	81 [712]	79 [698]	1,63 [1.45]	5,0 [44.2]
DT90-070	70:1	86 [761]	82 [726]	80 [708]	79 [699]	167 [1478]	84 [743]	81 [717]	79 [699]	78 [690]	1,63 [1.40]	5,0 [44.2]
DT90-100	100:1	75 [663]	69 [608]	65 [576]	63 [555]	167 [1479]	69 [613]	64 [562]	60 [533]	58 [513]	1,63 [1.45]	4,4 [38.5]

All ratios are available to ship in 24 hours through the Gearhead Express Program.

Sold & Serviced By:



Toll Free Phone (877) SERV098

Toll Free Fax (877) SERV099

www.electromate.com

sales@electromate.com

<sup>1</sup> Ratios are exact, higher ratios and other custom options are also available, consult factory.

T<sub>r</sub> = Rated output torque at rated speed for specific hours of life.

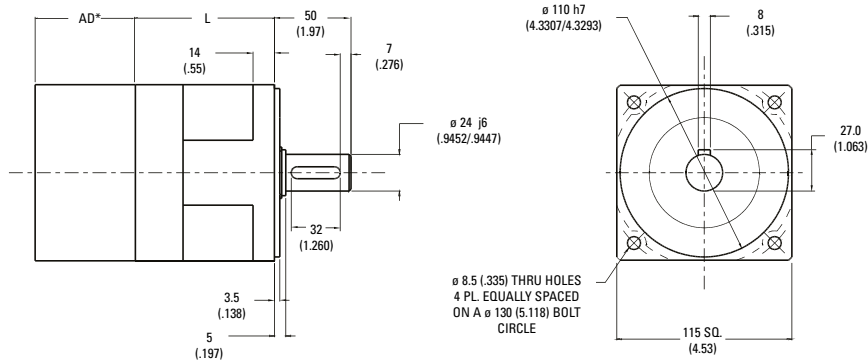
T<sub>peak</sub> = Allowable momentary peak torque for emergency stop or heavy shock loading.

J = Mass moment of inertia reflected to the input shaft (including pinion assembly).

# DuraTRUE™ Size 115

## True Planetary™ Gearheads

Metric



Ratio <sup>1</sup>	Dimension 'L' mm [in]	Backlash [arc-min]	Weight kg [lb]	Efficiency
3:1 to 10:1	88 [3.46]	8 max	5,7 [12.7]	93%
15:1 to 100:1	119 [4.69]	9 max	7,3 [16.2]	88%

All dimensions are: mm (inch)  
 AD\*\* = Adapter length  
 Adapter length will vary depending on motor.  
 Efficiency is calculated at 100% of the rated torque.

## Performance Specifications

Part Number	Ratio <sup>1</sup>	10000 Hour Life				T <sub>peak</sub> Nm [in-lb]	20000 Hour Life				J kg-cm <sup>2</sup> [in-lb-sec <sup>2</sup> ×10 <sup>-4</sup> ]	Torsional Stiffness Nm/arc-min [in-lb/arc-min]
		T <sub>r</sub> (1000 rpm) Nm [in-lb]	T <sub>r</sub> (2000 rpm) Nm [in-lb]	T <sub>r</sub> (3000 rpm) Nm [in-lb]	T <sub>r</sub> (4000 rpm) Nm [in-lb]		T <sub>r</sub> (1000 rpm) Nm [in-lb]	T <sub>r</sub> (2000 rpm) Nm [in-lb]	T <sub>r</sub> (3000 rpm) Nm [in-lb]	T <sub>r</sub> (4000 rpm) Nm [in-lb]		
DT115-003	3:1	105 [932]	86 [757]	76 [670]	70 [615]	284 [2511]	86 [757]	70 [615]	62 [544]	56 [499]	4,39 [3.88]	13,9 [123.4]
DT115-004	4:1	123 [1089]	98 [867]	91 [805]	85 [752]	284 [2513]	102 [903]	85 [752]	75 [664]	70 [620]	3,1 [2.7]	13,9 [122.7]
DT115-005	5:1	116 [1025]	91 [803]	83 [738]	77 [677]	284 [2511]	94 [833]	77 [677]	68 [599]	62 [550]	2,88 [2.55]	11,6 [102.4]
DT115-007	7:1	113 [1000]	88 [779]	81 [717]	75 [664]	284 [2513]	92 [814]	75 [664]	65 [575]	60 [531]	2,81 [2.5]	13,9 [122.7]
DT115-010	10:1	90 [796]	81 [715]	76 [668]	72 [635]	284 [2511]	83 [737]	75 [661]	70 [618]	66 [588]	2,47 [2.18]	11,6 [102.4]
DT115-015	15:1	171 [1510]	139 [1226]	123 [1086]	113 [996]	284 [2511]	139 [1226]	113 [996]	100 [882]	91 [809]	2,95 [2.61]	12,9 [114.1]
DT115-020	20:1	175 [1549]	161 [1425]	143 [1266]	132 [1168]	284 [2513]	161 [1425]	132 [1168]	118 [1044]	109 [965]	2,95 [2.6]	13,9 [122.7]
DT115-025	25:1	167 [1474]	153 [1350]	135 [1195]	124 [1096]	284 [2511]	153 [1350]	124 [1096]	110 [971]	101 [891]	2,90 [2.57]	14,1 [125.0]
DT115-030	30:1	203 [1794]	171 [218]	151 [1337]	139 [1226]	284 [2513]	171 [1510]	139 [1226]	123 [1086]	113 [996]	2,48 [2.20]	14,1 [124.4]
DT115-040	40:1	181 [1602]	175 [1549]	190 [1682]	161 [1425]	284 [2513]	178 [1575]	161 [1425]	143 [1266]	132 [1168]	2,47 [2.2]	14,1 [124.4]
DT115-050	50:1	173 [1535]	167 [1474]	162 [1435]	153 [1350]	284 [2511]	170 [1510]	153 [1350]	135 [1195]	124 [1096]	2,47 [2.19]	14,1 [125.0]
DT115-070	70:1	171 [1513]	165 [1460]	180 [1593]	151 [1336]	284 [2513]	168 [1487]	151 [1336]	133 [1177]	122 [1080]	2,47 [2.2]	14,1 [124.4]
DT115-100	100:1	123 [1087]	112 [995]	107 [943]	103 [907]	284 [2511]	114 [1006]	104 [921]	99 [873]	95 [840]	2,47 [2.19]	11,4 [100.6]

All ratios are available to ship in 24 hours through the Gearhead Express Program.

Sold & Serviced By:



Toll Free Phone (877) SERV098

Toll Free Fax (877) SERV099

www.electromate.com

sales@electromate.com

<sup>1</sup> Ratios are exact, higher ratios and other custom options are also available, consult factory.

T<sub>r</sub> = Rated output torque at rated speed for specific hours of life.

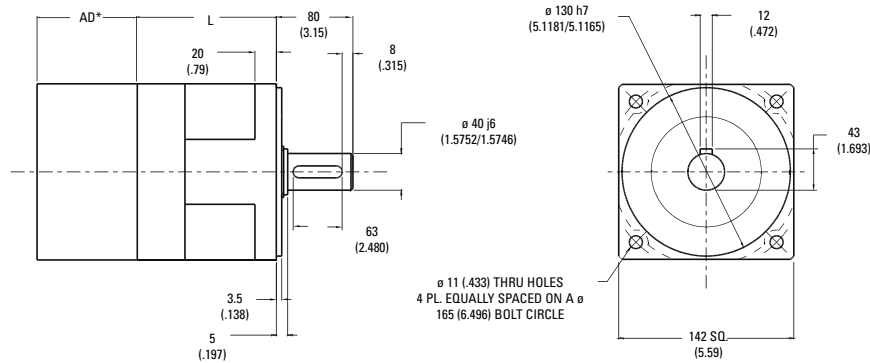
T<sub>peak</sub> = Allowable momentary peak torque for emergency stop or heavy shock loading.

J = Mass moment of inertia reflected to the input shaft (including pinion assembly).

# DuraTRUE™ Size 142

## True Planetary™ Gearheads

Metric



Ratio <sup>1</sup>	Dimension 'L' mm [in]	Backlash [arc-min]	Weight kg [lb]	Efficiency
3:1 to 10:1	121 [4.77]	8 max	12,8 [28.3]	93%
15:1 to 100:1	170 [6.71]	9 max	17,2 [38.0]	88%

All dimensions are: mm (inch)

AD\*\* = Adapter length

Adapter length will vary depending on motor.

Efficiency is calculated at 100% of the rated torque.

## Performance Specifications

Part Number	Ratio <sup>1</sup>	10000 Hour Life				T <sub>peak</sub> Nm [in-lb]	20000 Hour Life				J kg-cm <sup>2</sup> [in-lb-sec <sup>2</sup> x10 <sup>-4</sup> ]	Torsional Stiffness Nm/arc-min [in-lb/arc-min]
		T <sub>r</sub> (1000 rpm) Nm [in-lb]	T <sub>r</sub> (2000 rpm) Nm [in-lb]	T <sub>r</sub> (3000 rpm) Nm [in-lb]	T <sub>r</sub> (4000 rpm) Nm [in-lb]		T <sub>r</sub> (1000 rpm) Nm [in-lb]	T <sub>r</sub> (2000 rpm) Nm [in-lb]	T <sub>r</sub> (3000 rpm) Nm [in-lb]	T <sub>r</sub> (4000 rpm) Nm [in-lb]		
DT142-003	3:1	372 [3289]	302 [2671]	267 [2365]	245 [2170]	834 [7377]	302 [2671]	245 [2170]	217 [1921]	199 [1762]	23,2 [2.05]	51,8 [458.7]
DT142-004	4:1	430 [3806]	353 [3124]	315 [2788]	290 [2567]	834 [7381]	353 [3124]	290 [2567]	259 [2292]	239 [2115]	15,1 [1.3]	52,9 [467.1]
DT142-005	5:1	410 [3625]	333 [2944]	295 [2607]	270 [2391]	834 [7377]	333 [2944]	270 [2391]	239 [2118]	219 [1942]	14,7 [1.30]	52,6 [465.1]
DT142-007	7:1	405 [3584]	328 [2903]	290 [2597]	265 [2345]	834 [7381]	328 [2903]	265 [2345]	234 [2071]	214 [1894]	14,5 [1.3]	50,5 [445.9]
DT142-010	10:1	229 [2022]	204 [1808]	190 [1685]	181 [1598]	834 [7377]	211 [1871]	189 [1673]	176 [1559]	167 [1479]	12,1 [1.07]	41,3 [365.1]
DT142-015	15:1	524 [4634]	471 [4167]	433 [3833]	397 [3516]	834 [7377]	484 [4287]	397 [3516]	352 [3114]	323 [2856]	15,1 [1.34]	59,6 [527.6]
DT142-020	20:1	500 [4425]	476 [4213]	461 [4080]	450 [3983]	834 [7381]	489 [4328]	458 [4053]	408 [3611]	376 [3328]	14,8 [1.3]	58,5 [516.6]
DT142-025	25:1	480 [4248]	456 [4038]	441 [3903]	430 [3801]	834 [7377]	469 [4154]	438 [3876]	388 [3432]	356 [3148]	14,8 [1.31]	57,7 [510.6]
DT142-030	30:1	578 [5113]	524 [4634]	493 [4359]	471 [4167]	834 [7377]	535 [4731]	484 [4287]	433 [3833]	397 [3516]	12,2 [1.08]	59,9 [529.9]
DT142-040	40:1	521 [4611]	500 [4425]	486 [4301]	476 [4213]	834 [7381]	510 [4514]	489 [4328]	476 [4213]	458 [4053]	12,9 [1.1]	57,5 [507.7]
DT142-050	50:1	501 [4435]	480 [4248]	466 [4128]	456 [4038]	834 [7377]	490 [4336]	469 [4154]	456 [4037]	438 [3876]	12,1 [1.07]	57,8 [511.1]
DT142-070	70:1	496 [4390]	475 [4204]	461 [4080]	451 [3991]	834 [7381]	485 [4292]	464 [4106]	451 [3991]	433 [3882]	12,1 [1.1]	54,4 [480.4]
DT142-100	100:1	314 [2782]	287 [2543]	272 [2408]	262 [2314]	834 [7377]	291 [2574]	266 [2353]	252 [2228]	242 [2141]	12,1 [1.07]	42,9 [379.5]

All ratios are available to ship in 24 hours through the Gearhead Express Program.

Sold & Serviced By:



Toll Free Phone (877) SERV098

Toll Free Fax (877) SERV099

www.electromate.com

sales@electromate.com

<sup>1</sup> Ratios are exact, higher ratios and other custom options are also available, consult factory.

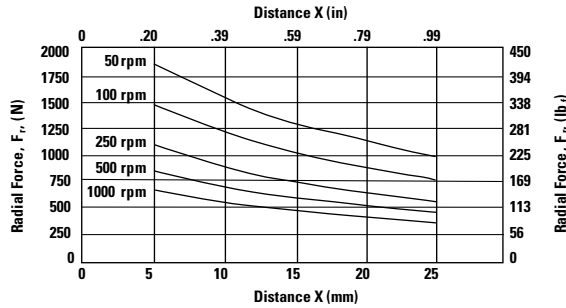
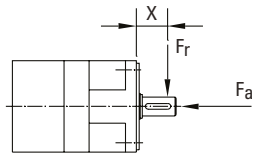
T<sub>r</sub> = Rated output torque at rated speed for specific hours of life.

T<sub>peak</sub> = Allowable momentary peak torque for emergency stop or heavy shock loading.

J = Mass moment of inertia reflected to the input shaft (including pinion assembly).

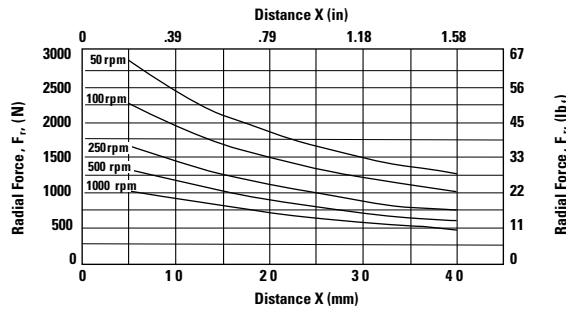
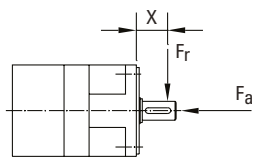
# Radial and Axial Load Ratings

## DT60



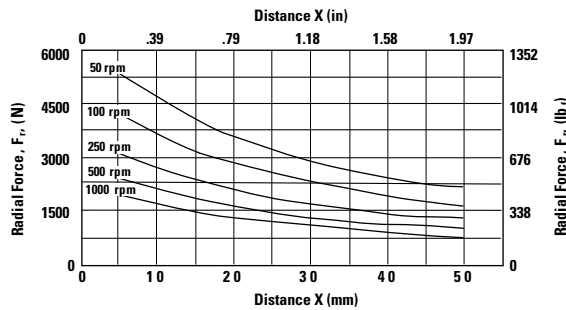
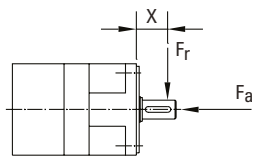
Speed rpm	Axial Load, $F_a$ N [lb <sub>f</sub> ]
50	3075 [692]
100	2441 [549]
250	1798 [405]
500	1427 [321]
1000	1133 [255]

## DT90



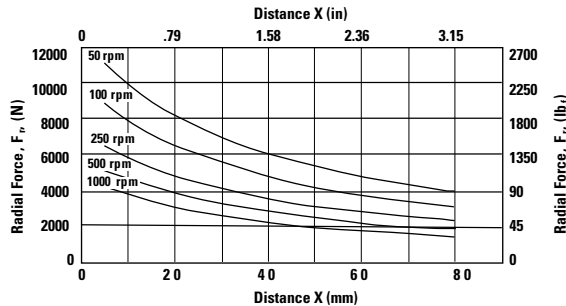
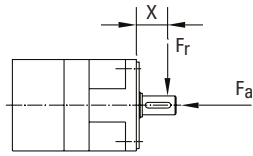
Speed rpm	Axial Load, $F_a$ N [lb <sub>f</sub> ]
50	4506 [1014]
100	3576 [805]
250	2635 [593]
500	2091 [471]
1000	1660 [373]

## DT115



Speed rpm	Axial Load, $F_a$ N [lb <sub>f</sub> ]
50	8196 [1844]
100	6505 [1464]
250	4793 [1078]
500	3804 [856]
1000	3019 [679]

## DT142



Speed rpm	Axial Load, $F_a$ N [lb <sub>f</sub> ]
50	17023 [3830]
100	13511 [3040]
250	9956 [2240]
500	7902 [1778]
1000	6271 [1411]

Sold & Serviced By:  
**ELECTROMATE**  
 Toll Free Phone (877) SERV098  
 Toll Free Fax (877) SERV099  
[www.electromate.com](http://www.electromate.com)  
[sales@electromate.com](mailto:sales@electromate.com)

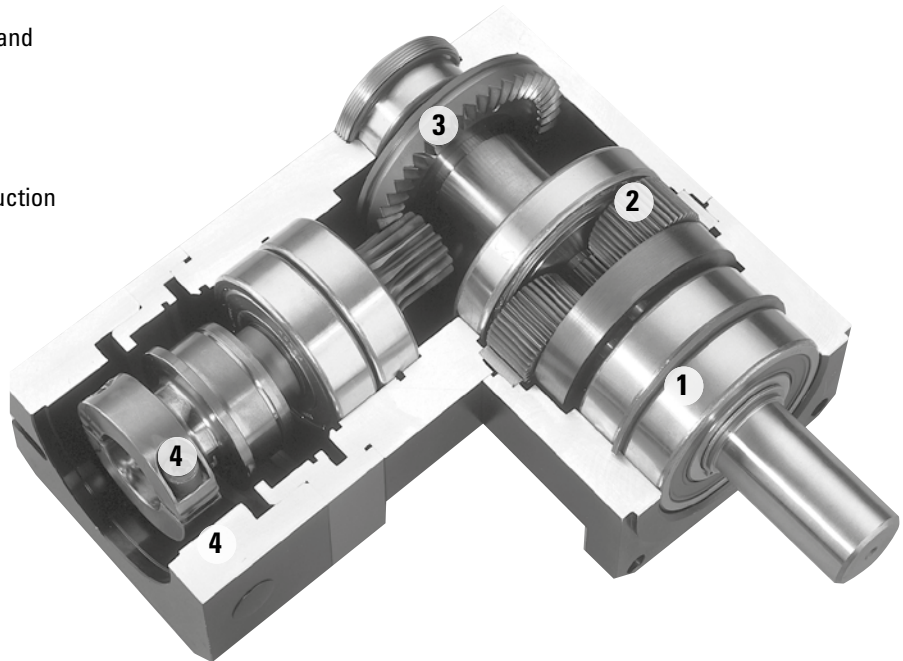
These graphs display the allowable radial load at a given distance (X) from the mounting surface based on an  $L_{10}$  life of 10,000 hours for the mean output speed  $n_{mout}$ , as described on page 10,

# DuraTRUE 90™

## Right Angle Gearheads

Ready for Immediate Delivery	
Precision	8 arc-minutes
Frame Sizes	60mm, 90mm, 115mm and 142mm
Torque Capacity	up to 865 Nm
Ratio Availability	1:1 thru 500:1
Radial load capacity	up to 11150 N
Mounting System	RediMount™

- ① **Deep Groove Ball bearings**  
provide high radial load carrying capabilities
- ② **HRC 55-60 steel gears**  
provide superior wear resistance and increased backlash integrity
- ③ **Innovative PowerTRUE™ gearing**  
delivers smooth, quiet geared reduction
- ④ **RediMount™ system**  
provides error-free installation



Sold & Serviced By:

 **ELECTROMATE**

Toll Free Phone (877) SERV098

Toll Free Fax (877) SERV099

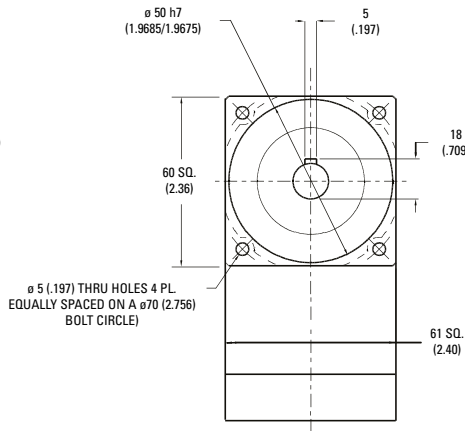
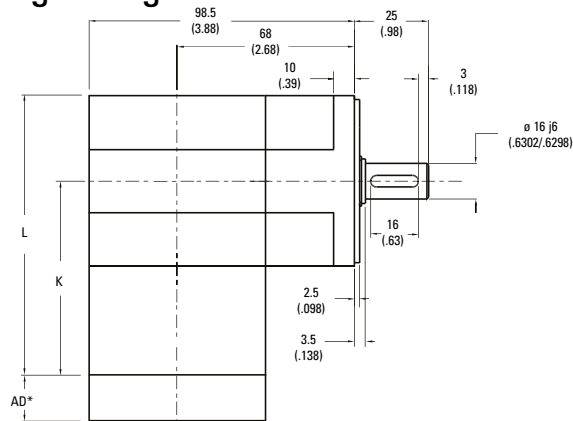
[www.electromate.com](http://www.electromate.com)

[sales@electromate.com](mailto:sales@electromate.com)

# DuraTRUE 90™ Size 60

## Right Angle Gearheads

Metric



Ratio <sup>1</sup>	Dimension 'K' mm [in]	Dimension 'L' mm [in]	Backlash [arc-min]	Weight kg [lb]	Efficiency
5:1 to 50:1	79 [3.11]	109,5 [4.31]	9 max	2,5 [5.5]	93%
60:1 to 500:1	96 [3.79]	127 [4.99]	9 max	2,7 [6]	88%

All dimensions are: mm (inch)

AD\*\* = Adapter length

Adapter length will vary depending on motor.

Efficiency is calculated at 100% of the rated torque.

## Performance Specifications

Part Number	Ratio <sup>1</sup>	10000 Hour Life			T <sub>peak</sub> Nm [in-lb]	20000 Hour Life			J kg-cm <sup>2</sup> [in-lb-sec <sup>2</sup> x10 <sup>-4</sup> ]	Torsional Stiffness Nm/arc-min [in-lb/arc-min]
		T <sub>r</sub> (1000 rpm) Nm [in-lb]	T <sub>r</sub> (3000 rpm) Nm [in-lb]	T <sub>r</sub> (5000 rpm) Nm [in-lb]		T <sub>r</sub> (1000 rpm) Nm [in-lb]	T <sub>r</sub> (3000 rpm) Nm [in-lb]	T <sub>r</sub> (5000 rpm) Nm [in-lb]		
DTR60-005	5:1	18 [157]	13 [113]	11 [97]	52 [460]	14 [127]	10 [92]	9 [79]	0,42 [3.7]	2,3 [20.1]
DTR60-006	6:1	19 [166]	13 [119]	12 [102]	52 [460]	15 [134]	11 [97]	9 [83]	0,42 [3.7]	2,3 [20.3]
DTR60-009	9:1	21 [187]	15 [134]	13 [115]	52 [460]	17 [152]	12 [109]	11 [94]	0,36 [3.1]	2,3 [20.2]
DTR60-010	10:1	21 [182]	15 [131]	13 [112]	49 [435]	17 [148]	12 [106]	10 [91]	0,41 [3.5]	2,3 [20.2]
DTR60-012	12:1	18 [161]	17 [147]	14 [126]	45 [402]	18 [161]	13 [119]	12 [102]	0,33 [3.0]	2,3 [20.4]
DTR60-015	15:1	23 [206]	17 [148]	14 [127]	50 [445]	19 [167]	14 [120]	12 [103]	0,32 [2.9]	2,3 [20.4]
DTR60-020	20:1	24 [211]	18 [161]	16 [138]	51 [450]	21 [182]	15 [131]	13 [112]	0,33 [2.8]	2,3 [20.3]
DTR60-025	25:1	24 [214]	19 [172]	17 [148]	51 [455]	22 [195]	16 [140]	14 [120]	0,32 [2.7]	2,3 [20.3]
DTR60-030	30:1	18 [155]	15 [134]	14 [124]	49 [430]	16 [143]	14 [124]	13 [115]	0,35 [2.8]	1,7 [14.8]
DTR60-040	40:1	18 [161]	16 [139]	15 [130]	49 [430]	17 [149]	15 [129]	14 [120]	0,33 [2.7]	1,7 [14.8]
DTR60-050	50:1	19 [165]	16 [143]	15 [134]	49 [430]	17 [153]	15 [133]	14 [124]	0,32 [2.6]	1,7 [14.8]
DTR60-060	60:1	28 [244]	18 [155]	15 [133]	52 [460]	20 [175]	14 [126]	12 [108]	0,42 [3.7]	2,3 [20.2]
DTR60-075	75:1	28 [248]	20 [178]	17 [153]	50 [445]	23 [201]	16 [144]	14 [124]	0,35 [3.0]	2,3 [20.2]
DTR60-090	90:1	28 [244]	20 [175]	17 [150]	52 [460]	22 [198]	16 [142]	14 [122]	0,36 [3.1]	2,3 [20.0]
DTR60-100	100:1	27 [237]	19 [171]	16 [146]	49 [435]	22 [193]	16 [138]	13 [119]	0,41 [3.5]	2,2 [19.9]
DTR60-120	120:1	24 [210]	22 [192]	19 [164]	45 [402]	24 [210]	18 [155]	15 [133]	0,33 [3.0]	2,3 [20.2]
DTR60-125	125:1	29 [257]	23 [207]	20 [178]	51 [455]	27 [235]	19 [168]	16 [144]	0,32 [2.8]	2,4 [21.5]
DTR60-150	150:1	30 [268]	22 [193]	19 [165]	50 [445]	22 [198]	18 [156]	15 [134]	0,35 [2.9]	2,3 [20.1]
DTR60-200	200:1	31 [275]	24 [210]	20 [180]	51 [450]	27 [237]	19 [171]	16 [146]	0,41 [3.4]	2,3 [20.2]
DTR60-250	250:1	32 [279]	25 [224]	22 [193]	51 [455]	29 [254]	21 [182]	18 [156]	0,32 [2.7]	2,4 [21.5]
DTR60-300	300:1	23 [202]	20 [175]	18 [162]	49 [430]	21 [186]	18 [162]	17 [150]	0,35 [2.8]	1,7 [14.8]
DTR60-400	400:1	24 [210]	20 [181]	19 [169]	49 [430]	22 [194]	19 [168]	18 [156]	0,33 [2.7]	1,7 [14.8]
DTR60-500	500:1	24 [215]	21 [186]	20 [175]	49 [430]	23 [199]	20 [173]	18 [162]	0,30 [2.7]	1,7 [14.8]

<sup>1</sup> Ratios are exact, higher ratios and other custom options are also available, consult factory.

T<sub>r</sub> = Rated output torque at rated speed for specific hours of life.

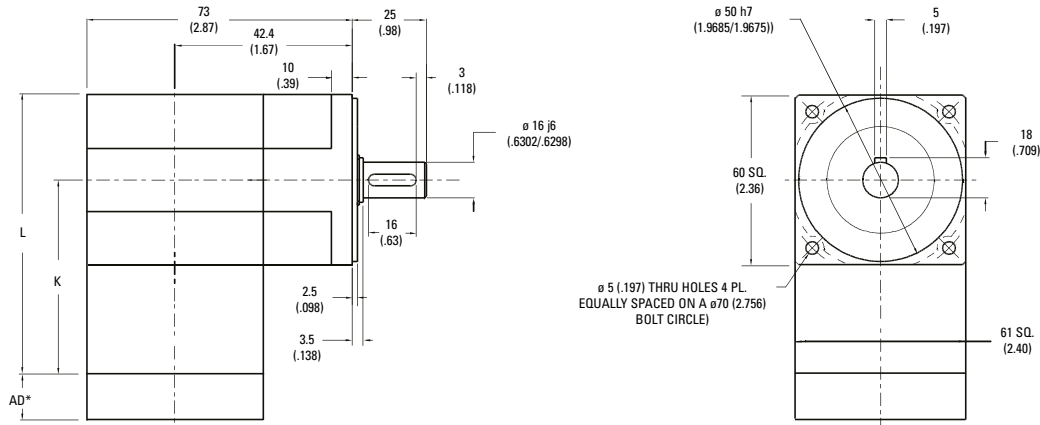
T<sub>peak</sub> = Allowable momentary peak torque for emergency stop or heavy shock loading.

J = Mass moment of inertia reflected to the input shaft (including pinion assembly).

# DuraTRUE 90™ Size 60S (Slim Line)

## Right Angle Gearheads

## Metric



Ratio <sup>1</sup>	Dimension 'K' mm [in]	Dimension 'L' mm [in]	Backlash [arc-min]	Weight kg [lb]	Efficiency
1:1 to 5:1P	79 [3.11]	109,5 [4.31]	8 max	2,3 [5]	98%
5:1T to 50:1	96 [3.79]	127 [4.99]	9 max	2,5 [5.5]	93%
60:1 to 500:1	114 [4.48]	144 [5.68]	9 max	2,7 [6]	88%

All dimensions are: mm (inch)  
 AD\*\* = Adapter length  
 Adapter length will vary depending on motor.  
 Efficiency is calculated at 100% of the rated torque.

## Performance Specifications

Part Number	Ratio <sup>1</sup>	10000 Hour Life			T <sub>peak</sub> Nm [in-lb]	20000 Hour Life			J kg-cm <sup>2</sup> [in-lb-sec <sup>2</sup> x10 <sup>-4</sup> ]	Torsional Stiffness Nm/arc-min [in-lb/arc-min]
		T <sub>r</sub> (1000 rpm) Nm [in-lb]	T <sub>r</sub> (3000 rpm) Nm [in-lb]	T <sub>r</sub> (5000 rpm) Nm [in-lb]		T <sub>r</sub> (1000 rpm) Nm [in-lb]	T <sub>r</sub> (3000 rpm) Nm [in-lb]	T <sub>r</sub> (5000 rpm) Nm [in-lb]		
DTR60S-001	1:1	7 [66]	7 [60]	6 [54]	25 [217]	7 [61]	6 [56]	6 [50]	0,79 [7.0]	1,8 [15.8]
DTR60S-002	2:1	16 [145]	15 [132]	14 [120]	45 [400]	15 [134]	14 [122]	12 [111]	0,41 [3.6]	2,7 [23.8]
DTR60S-003	3:1	10 [92]	10 [84]	9 [76]	34 [300]	10 [85]	9 [78]	8 [70]	0,35 [3.1]	3,0 [26.9]
DTR60S-004	4:1	8 [68]	7 [62]	6 [56]	30 [264]	7 [63]	6 [57]	6 [52]	0,32 [2.9]	3,2 [28.2]
DTR60S-005P	5:1P	6 [56]	6 [51]	5 [46]	23 [200]	6 [52]	5 [47]	5 [43]	0,32 [2.8]	3,3 [28.8]
DTR60S-005T	5:1T	23 [200]	18 [162]	16 [138]	46 [407]	21 [182]	15 [132]	13 [112]	0,42 [3.7]	3,3 [28.8]
DTR60S-006	6:1	19 [171]	16 [145]	16 [141]	46 [407]	19 [167]	15 [134]	15 [130]	0,41 [3.7]	2,1 [18.8]
DTR60S-009	9:1	12 [109]	10 [92]	10 [90]	36 [321]	12 [106]	10 [85]	9 [83]	0,35 [3.1]	2,7 [23.7]
DTR60S-010	10:1	20 [176]	18 [160]	16 [145]	46 [407]	20 [174]	17 [154]	15 [134]	0,39 [3.5]	2,1 [18.5]
DTR60S-012	12:1	9 [80]	8 [68]	7 [66]	32 [280]	9 [78]	7 [63]	7 [61]	0,33 [3.0]	3,0 [26.1]
DTR60S-015	15:1	13 [112]	12 [102]	10 [92]	37 [330]	12 [110]	11 [98]	10 [85]	0,33 [2.9]	3,1 [27.4]
DTR60S-020	20:1	9 [82]	8 [75]	8 [68]	46 [407]	9 [81]	8 [72]	7 [63]	0,31 [2.8]	2,9 [26.0]
DTR60S-025	25:1	8 [68]	7 [62]	6 [56]	25 [220]	8 [67]	7 [59]	6 [52]	0,31 [2.7]	3,1 [27.3]
DTR60S-030	30:1	13 [114]	12 [109]	12 [105]	38 [339]	13 [114]	12 [107]	11 [101]	0,32 [2.8]	2,5 [22.4]
DTR60S-040	40:1	10 [84]	9 [81]	9 [77]	33 [292]	9 [84]	9 [79]	8 [74]	0,30 [2.7]	2,8 [25.2]
DTR60S-050	50:1	8 [69]	7 [66]	7 [63]	25 [225]	8 [69]	7 [65]	7 [61]	0,30 [2.6]	3,0 [26.8]
DTR60S-060	60:1	21 [182]	20 [180]	20 [177]	46 [407]	21 [182]	20 [178]	20 [175]	0,42 [3.7]	2,0 [18.1]
DTR60S-075	75:1	13 [116]	13 [114]	13 [112]	39 [345]	13 [115]	13 [113]	12 [110]	0,33 [3.0]	2,6 [23.4]
DTR60S-090	90:1	13 [116]	13 [114]	13 [113]	39 [348]	13 [116]	13 [114]	13 [111]	0,35 [3.1]	2,6 [23.3]
DTR60S-100	100:1	21 [183]	20 [181]	20 [180]	46 [407]	21 [182]	20 [180]	20 [178]	0,40 [3.5]	2,1 [18.3]
DTR60S-120	120:1	10 [85]	10 [84]	9 [83]	34 [300]	10 [85]	9 [84]	9 [82]	0,33 [3.0]	2,9 [25.8]
DTR60S-125	125:1	8 [70]	8 [69]	8 [68]	26 [230]	8 [70]	8 [68]	8 [67]	0,31 [2.8]	3,1 [27.3]
DTR60S-150	150:1	13 [116]	13 [115]	13 [114]	40 [351]	13 [116]	13 [115]	13 [114]	0,33 [2.9]	2,6 [23.4]
DTR60S-200	200:1	21 [183]	21 [182]	21 [181]	46 [407]	21 [183]	21 [182]	20 [181]	0,39 [3.4]	1,9 [17.0]
DTR60S-250	250:1	8 [70]	8 [70]	8 [69]	26 [230]	8 [70]	8 [69]	8 [69]	0,31 [2.7]	3,1 [27.3]
DTR60S-300	300:1	13 [116]	13 [116]	13 [115]	40 [354]	13 [116]	13 [116]	13 [115]	0,32 [2.8]	2,5 [22.4]
DTR60S-400	400:1	10 [86]	10 [85]	10 [85]	34 [304]	10 [86]	10 [85]	10 [85]	0,31 [2.7]	2,8 [25.2]
DTR60S-500	500:1	8 [70]	8 [70]	8 [70]	26 [230]	8 [70]	8 [70]	8 [70]	0,30 [2.7]	3,0 [26.8]

Ratio 5P is designed using only PowerTRUE face gearing technology.  
 Ratio 5T adds a True Planetary gearing stage for increased torque capacity.  
<sup>1</sup> Ratios are exact, higher ratios and other custom options are also available, consult factory.

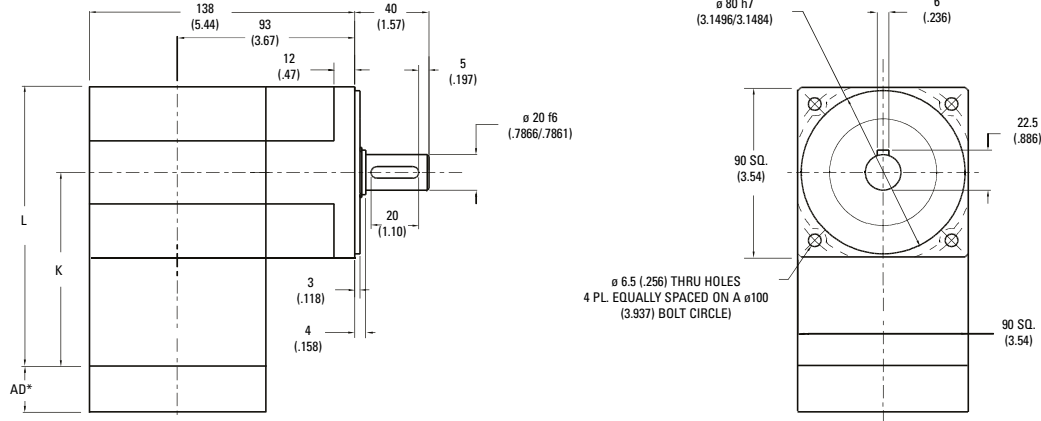
T<sub>r</sub> = Rated output torque at rated speed for specific hours of life.  
 J = Mass moment of inertia reflected to the input shaft (including pinion assembly)  
 T<sub>peak</sub> = Allowable momentary peak torque for emergency stop or heavy shock loading.



# DuraTRUE 90™ Size 90

## Right Angle Gearheads

Metric



Ratio <sup>1</sup>	Dimension 'K' mm [in]	Dimension 'L' mm [in]	Backlash [arc-min]	Weight kg [lb]	Efficiency
5:1 to 50:1	101 [3.99]	146 [5.76]	9 max	4,8 [10]	93%
60:1 to 500:1	124 [4.89]	169 [6.66]	9 max	5,5 [12]	88%

All dimensions are: mm (inch)

AD\*\* = Adapter length

Adapter length will vary depending on motor.

Efficiency is calculated at 100% of the rated torque.

## Performance Specifications

Part Number	Ratio <sup>1</sup>	10000 Hour Life			T <sub>peak</sub> Nm [in-lb]	20000 Hour Life			J kg-cm <sup>2</sup> [in-lb-sec <sup>2</sup> x10 <sup>-4</sup> ]	Torsional Stiffness Nm/arc-min [in-lb/arc-min]
		T <sub>r</sub> (1000 rpm) Nm [in-lb]	T <sub>r</sub> (3000 rpm) Nm [in-lb]	T <sub>r</sub> (5000 rpm) Nm [in-lb]		T <sub>r</sub> (1000 rpm) Nm [in-lb]	T <sub>r</sub> (3000 rpm) Nm [in-lb]	T <sub>r</sub> (5000 rpm) Nm [in-lb]		
DTR90-005	5:1	79 [702]	58 [515]	50 [442]	167 [1479]	66 [582]	47 [418]	41 [359]	1,64 [14.5]	7,8 [69.2]
DTR90-006	6:1	82 [722]	61 [544]	53 [467]	167 [1479]	69 [614]	50 [442]	43 [379]	1,63 [14.4]	5,5 [48.2]
DTR90-009	9:1	75 [665]	69 [614]	60 [527]	167 [1479]	75 [665]	56 [499]	48 [428]	1,39 [12.3]	5,5 [48.8]
DTR90-010	10:1	79 [703]	68 [599]	58 [514]	167 [1479]	76 [676]	55 [486]	47 [417]	1,62 [14.3]	5,5 [48.4]
DTR90-012	12:1	57 [509]	57 [509]	57 [509]	144 [1272]	57 [509]	57 [509]	53 [467]	1,29 [11.4]	5,5 [49.0]
DTR90-015	15:1	82 [723]	75 [664]	66 [580]	167 [1479]	80 [707]	62 [549]	53 [471]	1,26 [11.1]	5,5 [49.0]
DTR90-020	20:1	83 [737]	77 [681]	72 [633]	167 [1479]	81 [720]	68 [599]	58 [514]	1,28 [11.3]	5,5 [48.7]
DTR90-025	25:1	71 [624]	71 [624]	71 [624]	167 [1479]	71 [624]	71 [624]	62 [549]	1,26 [11.1]	5,5 [48.7]
DTR90-030	30:1	64 [568]	55 [488]	51 [452]	167 [1479]	59 [526]	51 [452]	47 [418]	1,38 [12.2]	4,0 [35.6]
DTR90-040	40:1	67 [590]	58 [509]	53 [472]	167 [1479]	62 [546]	53 [471]	49 [437]	1,28 [11.3]	4,0 [35.6]
DTR90-050	50:1	69 [608]	59 [525]	55 [488]	167 [1479]	63 [562]	55 [486]	51 [452]	1,25 [11.1]	4,0 [35.6]
DTR90-060	60:1	106 [941]	80 [709]	69 [608]	167 [1479]	90 [800]	65 [576]	56 [494]	1,63 [14.4]	5,5 [48.6]
DTR90-075	75:1	98 [870]	90 [799]	79 [698]	167 [1479]	96 [851]	75 [661]	64 [567]	1,39 [12.3]	5,5 [48.4]
DTR90-090	90:1	98 [866]	90 [800]	78 [687]	167 [1479]	98 [866]	73 [650]	63 [558]	1,39 [12.3]	5,4 [48.0]
DTR90-100	100:1	103 [916]	88 [780]	76 [670]	167 [1479]	100 [881]	72 [633]	61 [543]	1,62 [14.3]	5,4 [47.8]
DTR90-120	120:1	75 [663]	75 [663]	75 [663]	144 [1272]	75 [663]	75 [663]	69 [608]	1,29 [11.4]	5,5 [48.5]
DTR90-125	125:1	85 [751]	85 [751]	85 [751]	167 [1479]	85 [751]	85 [751]	75 [661]	1,26 [11.1]	5,8 [51.6]
DTR90-150	150:1	106 [942]	98 [865]	85 [756]	167 [1479]	98 [866]	81 [715]	69 [614]	1,39 [12.3]	5,5 [48.3]
DTR90-200	200:1	109 [960]	100 [887]	93 [825]	167 [1479]	108 [938]	88 [780]	76 [670]	1,61 [14.2]	5,5 [48.5]
DTR90-250	250:1	92 [813]	92 [813]	92 [813]	167 [1479]	92 [813]	92 [813]	81 [715]	1,26 [11.1]	5,8 [51.5]
DTR90-300	300:1	84 [740]	72 [636]	67 [589]	167 [1479]	77 [685]	67 [589]	62 [545]	1,38 [12.2]	4,0 [35.5]
DTR90-400	400:1	87 [769]	75 [663]	69 [615]	167 [1479]	80 [711]	69 [614]	64 [569]	1,28 [11.3]	4,0 [35.5]
DTR90-500	500:1	90 [792]	77 [684]	72 [636]	167 [1479]	83 [732]	72 [633]	67 [589]	1,20 [10.6]	4,0 [35.6]

<sup>1</sup> Ratios are exact, higher ratios and other custom options are also available, consult factory.

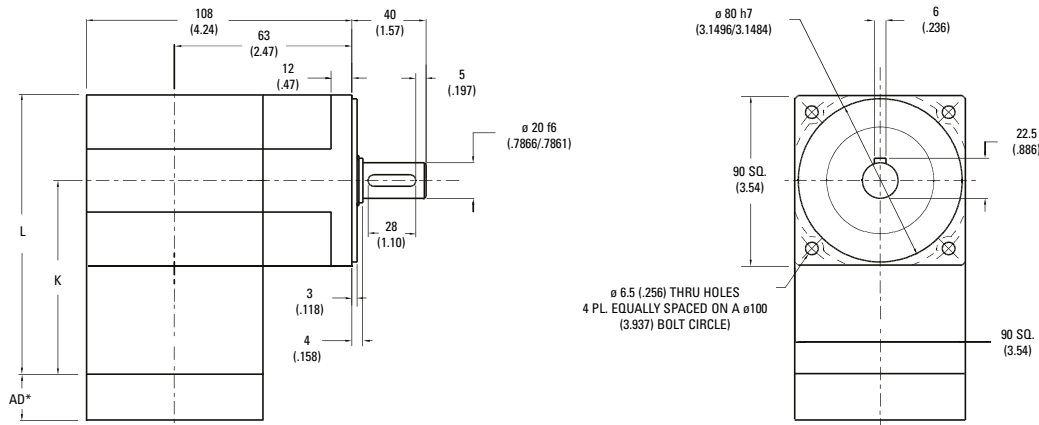
T<sub>r</sub> = Rated output torque at rated speed for specific hours of life.

T<sub>peak</sub> = Allowable momentary peak torque for emergency stop or heavy shock loading.  
J = Mass moment of inertia reflected to the input shaft (including pinion assembly).

# DuraTRUE 90™ Size 90S (Slim Line)

## Right Angle Gearheads

Metric



Ratio <sup>1</sup>	Dimension 'K' mm [in]	Dimension 'L' mm [in]	Backlash [arc-min]	Weight kg [lb]	Efficiency
1:1 to 5:1P	101 [3.99]	146 [5.76]	8 max	4,1 [9]	98%
5:1T to 50:1	124 [4.89]	169 [6.66]	9 max	4,8 [10]	93%
60:1 to 500:1	114 [5.79]	192 [7.56]	9 max	5,5 [12]	88%

All dimensions are: mm (inch)

AD\*\* = Adapter length

Adapter length will vary depending on motor.

Efficiency is calculated at 100% of the rated torque.

## Performance Specifications

Part Number	Ratio <sup>1</sup>	10000 Hour Life			T <sub>peak</sub> Nm [in-lb]	20000 Hour Life			J kg-cm <sup>2</sup> [in-lb-sec <sup>2</sup> ×10 <sup>-4</sup> ]	Torsional Stiffness Nm/arc-min [in-lb/arc-min]
		T <sub>r</sub> (1000 rpm) Nm [in-lb]	T <sub>r</sub> (3000 rpm) Nm [in-lb]	T <sub>r</sub> (5000 rpm) Nm [in-lb]		T <sub>r</sub> (1000 rpm) Nm [in-lb]	T <sub>r</sub> (3000 rpm) Nm [in-lb]	T <sub>r</sub> (5000 rpm) Nm [in-lb]		
DTR90S-001	1:1	21 [188]	19 [171]	17 [155]	62 [548]	20 [173]	18 [158]	16 [143]	3,11 [27.5]	4,3 [37.9]
DTR90S-002	2:1	48 [426]	44 [389]	40 [352]	140 [1237]	44 [394]	41 [359]	37 [325]	1,59 [14.1]	6,5 [57.2]
DTR90S-003	3:1	32 [281]	29 [256]	26 [232]	114 [1005]	29 [260]	27 [237]	24 [214]	1,37 [12.1]	7,3 [64.6]
DTR90S-004	4:1	24 [215]	22 [196]	20 [177]	87 [772]	22 [199]	20 [181]	19 [164]	1,27 [11.2]	7,6 [67.7]
DTR90S-005P	5:1P	18 [158]	16 [144]	15 [131]	73 [645]	17 [146]	15 [133]	14 [121]	1,25 [11.0]	7,8 [69.2]
DTR90S-005T	5:1T	64 [568]	55 [483]	53 [469]	140 [1237]	63 [556]	50 [446]	49 [433]	1,64 [14.5]	5,1 [45.1]
DTR90S-006	6:1	57 [501]	48 [426]	47 [414]	140 [1237]	55 [490]	44 [394]	43 [382]	1,63 [14.4]	5,1 [45.1]
DTR90S-009	9:1	37 [331]	32 [281]	31 [273]	124 [1095]	37 [323]	29 [260]	28 [252]	1,37 [12.1]	6,4 [56.9]
DTR90S-010	10:1	58 [516]	53 [471]	48 [426]	140 [1237]	58 [510]	51 [452]	44 [394]	1,54 [13.7]	5,0 [44.5]
DTR90S-012	12:1	29 [253]	24 [215]	24 [209]	94 [836]	28 [247]	22 [199]	22 [193]	1,31 [11.6]	7,1 [62.7]
DTR90S-015	15:1	38 [340]	35 [311]	32 [281]	128 [1131]	38 [336]	34 [298]	29 [260]	1,28 [11.3]	7,4 [65.8]
DTR90S-020	20:1	29 [261]	27 [238]	24 [215]	140 [1237]	29 [257]	26 [228]	22 [199]	1,22 [10.8]	7,1 [62.4]
DTR90S-025	25:1	22 [192]	20 [175]	18 [158]	80 [705]	21 [189]	19 [168]	17 [146]	1,20 [10.6]	7,4 [65.6]
DTR90S-030	30:1	39 [348]	38 [333]	36 [318]	131 [1161]	39 [346]	37 [327]	35 [307]	1,25 [11.1]	6,1 [53.8]
DTR90S-040	40:1	30 [266]	29 [255]	28 [243]	99 [880]	30 [265]	28 [250]	27 [235]	1,19 [10.6]	6,8 [60.5]
DTR90S-050	50:1	22 [196]	21 [188]	20 [179]	82 [725]	22 [195]	21 [184]	20 [173]	1,17 [10.4]	7,3 [64.2]
DTR90S-060	60:1	60 [535]	60 [527]	59 [520]	140 [1237]	60 [534]	59 [524]	58 [514]	1,63 [14.4]	4,9 [43.5]
DTR90S-075	75:1	40 [352]	39 [346]	38 [340]	136 [1200]	40 [351]	39 [344]	38 [336]	1,31 [11.6]	6,4 [56.2]
DTR90S-090	90:1	40 [353]	39 [348]	39 [343]	136 [1206]	40 [352]	39 [346]	38 [339]	1,37 [12.1]	6,3 [55.8]
DTR90S-100	100:1	61 [536]	60 [532]	60 [527]	140 [1237]	61 [536]	60 [530]	59 [524]	1,55 [13.7]	5,0 [43.9]
DTR90S-120	120:1	31 [270]	30 [266]	30 [262]	103 [908]	30 [269]	30 [265]	29 [260]	1,31 [11.6]	7,0 [62.0]
DTR90S-125	125:1	22 [198]	22 [195]	22 [192]	84 [740]	22 [198]	22 [194]	21 [189]	1,23 [10.8]	7,4 [65.5]
DTR90S-150	150:1	40 [354]	40 [351]	39 [348]	138 [1218]	40 [353]	39 [350]	39 [346]	1,29 [11.4]	6,3 [56.1]
DTR90S-200	200:1	61 [538]	60 [535]	60 [533]	140 [1237]	61 [537]	60 [534]	60 [531]	1,52 [13.5]	4,6 [40.7]
DTR90S-250	250:1	23 [199]	22 [198]	22 [196]	85 [750]	22 [199]	22 [197]	22 [195]	1,21 [10.7]	7,4 [65.4]
DTR90S-300	300:1	40 [355]	40 [353]	40 [352]	139 [1230]	40 [354]	40 [352]	40 [350]	1,26 [11.1]	6,1 [53.7]
DTR90S-400	400:1	31 [271]	31 [270]	30 [269]	104 [924]	31 [271]	30 [270]	30 [268]	1,20 [10.6]	6,8 [60.5]
DTR90S-500	500:1	23 [200]	22 [199]	22 [198]	85 [755]	23 [200]	22 [198]	22 [197]	1,18 [10.4]	7,3 [64.2]

Ratio 5P is designed using only PowerTRUE face gearing technology.

Ratio 5T adds a True Planetary gearing stage for increased torque capacity.

<sup>1</sup> Ratios are exact, higher ratios and other custom options are also available, consult factory.

T<sub>r</sub> = Rated output torque at rated speed for specific hours of life.

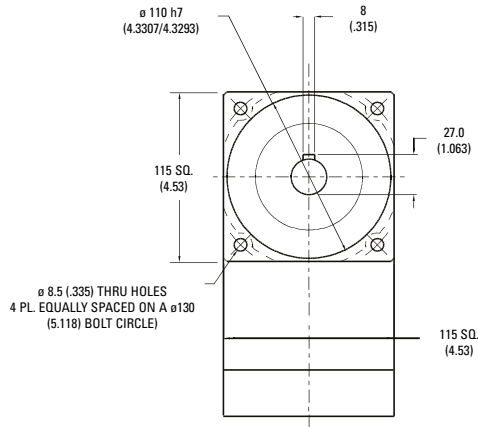
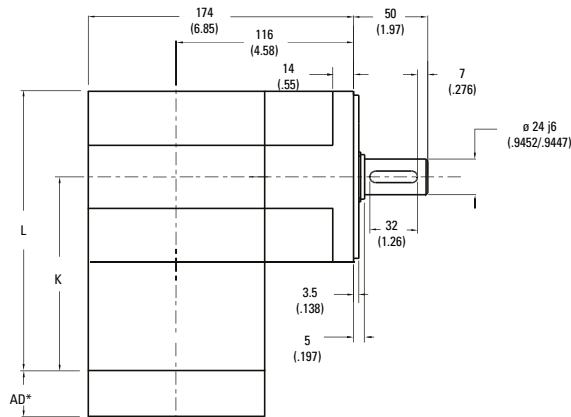
J = Mass moment of inertia reflected to the input shaft (including pinion assembly)

T<sub>peak</sub> = Allowable momentary peak torque for emergency stop or heavy shock loading.

# DuraTRUE 90™ Size 115

## Right Angle Gearheads

Metric



Ratio <sup>1</sup>	Dimension 'K' mm [in]	Dimension 'L' mm [in]	Backlash [arc-min]	Weight kg [lb]	Efficiency
5:1 to 50:1	137 [5.40]	195 [7.67]	8 max	11 [24]	93%
60:1 to 500:1	168,4 [6.63]	226 [8.90]	9 max	12 [27]	88%

All dimensions are: mm (inch)

AD\*\* = Adapter length

Adapter length will vary depending on motor. Efficiency is calculated at 100% of the rated torque.

## Performance Specifications

Part Number	Ratio <sup>1</sup>	10000 Hour Life			T <sub>peak</sub> Nm [in-lb]	20000 Hour Life			J kg-cm <sup>2</sup> [in-lb-sec <sup>2</sup> x10 <sup>-4</sup> ]	Torsional Stiffness Nm/arc-min [in-lb/arc-min]
		T <sub>r</sub> (1000 rpm) Nm [in-lb]	T <sub>r</sub> (3000 rpm) Nm [in-lb]	T <sub>r</sub> (5000 rpm) Nm [in-lb]		T <sub>r</sub> (1000 rpm) Nm [in-lb]	T <sub>r</sub> (3000 rpm) Nm [in-lb]	T <sub>r</sub> (5000 rpm) Nm [in-lb]		
DTR115-005	5:1	123 [1086]	88 [781]	76 [670]	284 [2511]	100 [882]	72 [634]	61 [544]	2,79 [24.7]	15,3 [135]
DTR115-006	6:1	130 [1147]	93 [825]	80 [708]	284 [2511]	105 [932]	76 [670]	65 [575]	2,77 [24.5]	12,5 [110]
DTR115-009	9:1	146 [1295]	105 [932]	90 [799]	284 [2511]	119 [1052]	86 [757]	73 [649]	2,37 [21.0]	12,6 [112]
DTR115-010	10:1	143 [1262]	103 [908]	88 [779]	284 [2511]	116 [1025]	83 [738]	72 [633]	2,75 [24.3]	13,1 [116]
DTR115-012	12:1	137 [1210]	115 [1016]	98 [871]	284 [2511]	130 [1147]	93 [825]	80 [708]	2,19 [19.4]	12,7 [112]
DTR115-015	15:1	161 [1425]	116 [1025]	99 [880]	284 [2511]	131 [1158]	94 [833]	81 [715]	2,14 [18.9]	12,7 [112]
DTR115-020	20:1	164 [1453]	126 [1118]	108 [959]	284 [2511]	143 [1262]	103 [908]	88 [779]	2,18 [19.3]	13,2 [117]
DTR115-025	25:1	167 [1474]	135 [1195]	116 [1025]	284 [2511]	153 [1350]	110 [971]	94 [833]	2,14 [18.9]	13,2 [117]
DTR115-030	30:1	105 [930]	90 [796]	83 [736]	284 [2511]	97 [861]	83 [737]	77 [681]	2,34 [20.7]	11,5 [102]
DTR115-040	40:1	109 [967]	94 [831]	87 [770]	284 [2511]	101 [894]	87 [769]	80 [712]	2,17 [19.2]	11,5 [102]
DTR115-050	50:1	112 [995]	97 [858]	90 [796]	284 [2511]	104 [921]	90 [794]	83 [737]	2,13 [18.8]	11,5 [102]
DTR115-060	60:1	169 [1495]	121 [1075]	104 [923]	284 [2511]	137 [1214]	99 [873]	85 [749]	2,77 [24.5]	13,2 [117]
DTR115-075	75:1	194 [1715]	139 [1233]	120 [1059]	284 [2511]	139 [1233]	113 [1002]	97 [860]	2,35 [20.8]	13,1 [116]
DTR115-090	90:1	191 [1687]	137 [1214]	118 [1041]	284 [2511]	155 [1371]	111 [986]	96 [846]	2,37 [21.0]	12,5 [110]
DTR115-100	100:1	186 [1644]	134 [1183]	115 [1015]	284 [2511]	151 [1336]	109 [962]	93 [825]	2,75 [24.3]	13,0 [115]
DTR115-120	120:1	178 [1577]	150 [1324]	128 [1135]	284 [2511]	169 [1495]	121 [1075]	104 [923]	2,19 [19.4]	12,6 [111]
DTR115-125	125:1	200 [1774]	162 [1438]	139 [1233]	284 [2511]	184 [1624]	132 [1168]	113 [1002]	2,14 [18.9]	13,2 [117]
DTR115-150	150:1	210 [1857]	151 [1336]	130 [1147]	284 [2511]	170 [1509]	123 [1085]	105 [932]	2,35 [20.8]	13,1 [116]
DTR115-200	200:1	214 [1893]	165 [1457]	141 [1250]	284 [2511]	186 [1644]	134 [1183]	115 [1015]	2,73 [24.2]	13,2 [116]
DTR115-250	250:1	217 [1921]	176 [1557]	151 [1336]	284 [2511]	199 [1759]	143 [1265]	123 [1085]	2,14 [18.9]	13,2 [117]
DTR115-300	300:1	137 [1212]	117 [1037]	108 [959]	284 [2511]	127 [1122]	109 [960]	100 [887]	2,34 [20.7]	11,5 [102]
DTR115-400	400:1	142 [1260]	122 [1083]	113 [1003]	284 [2511]	132 [1165]	113 [1002]	105 [928]	2,17 [19.2]	11,5 [102]
DTR115-500	500:1	146 [1296]	126 [1118]	117 [1037]	284 [2511]	136 [1200]	117 [1035]	109 [960]	2,03 [18.0]	11,5 [102]

<sup>1</sup> Ratios are exact, higher ratios and other custom options are also available, consult factory.

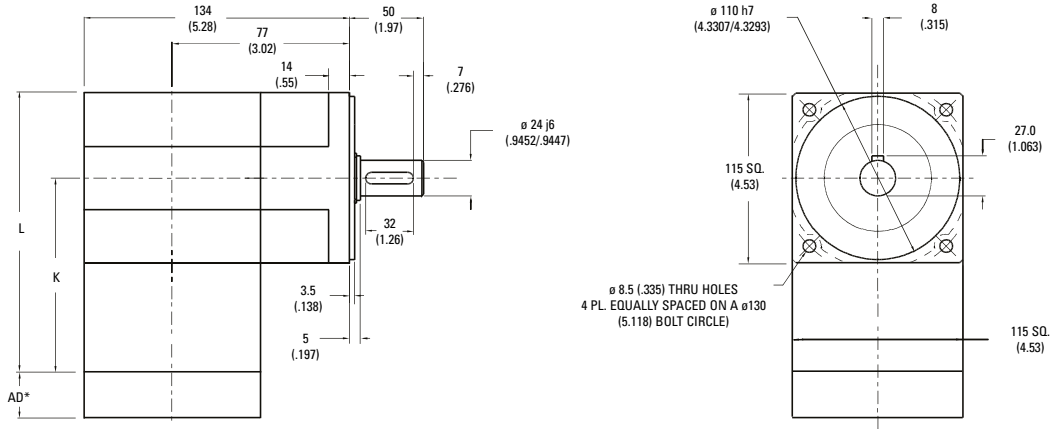
T<sub>r</sub> = Rated output torque at rated speed for specific hours of life.

T<sub>peak</sub> = Allowable momentary peak torque for emergency stop or heavy shock loading.  
J = Mass moment of inertia reflected to the input shaft (including pinion assembly).

# DuraTRUE 90™ Size 115S (Slim Line)

## Right Angle Gearheads

## Metric



Ratio <sup>1</sup>	Dimension 'K' mm [in]	Dimension 'L' mm [in]	Backlash [arc-min]	Weight kg [lb]	Efficiency
1:1 to 5:1P	137 [5.40]	195 [7.67]	8 max	9 [20]	98%
5:1T to 50:1	168,4 [6.63]	226 [8.90]	9 max	11 [24]	93%
60:1 to 500:1	200 [7.87]	257 [10.13]	9 max	12 [27]	88%

All dimensions are: mm (inch)

AD\*\* = Adapter length

Adapter length will vary depending on motor. Efficiency is calculated at 100% of the rated torque.

## Performance Specifications

Part Number	Ratio <sup>1</sup>	10000 Hour Life			T <sub>peak</sub> Nm [in-lb]	20000 Hour Life			J kg-cm <sup>2</sup> [in-lb-sec <sup>2</sup> ×10 <sup>-4</sup> ]	Torsional Stiffness Nm/arc-min [in-lb/arc-min]
		T <sub>r</sub> (1000 rpm) Nm [in-lb]	T <sub>r</sub> (3000 rpm) Nm [in-lb]	T <sub>r</sub> (5000 rpm) Nm [in-lb]		T <sub>r</sub> (1000 rpm) Nm [in-lb]	T <sub>r</sub> (3000 rpm) Nm [in-lb]	T <sub>r</sub> (5000 rpm) Nm [in-lb]		
DTR115S-001	1:1	63 [554]	57 [506]	52 [457]	203 [1800]	58 [512]	53 [467]	48 [422]	5,28 [46.7]	7,6 [67.6]
DTR115S-002	2:1	112 [989]	102 [903]	92 [816]	283 [2505]	103 [913]	94 [834]	85 [754]	2,71 [23.9]	12,5 [111]
DTR115S-003	3:1	87 [768]	79 [701]	72 [634]	256 [2265]	80 [709]	73 [647]	66 [585]	2,33 [20.6]	14,2 [126]
DTR115S-004	4:1	58 [511]	53 [467]	48 [422]	199 [1760]	53 [472]	49 [431]	44 [390]	2,16 [19.1]	14,9 [132]
DTR115S-005P	5:1P	43 [384]	40 [350]	36 [316]	164 [1450]	40 [354]	37 [323]	33 [292]	2,12 [18.8]	15,3 [135]
DTR115S-005T	5:1T	170 [1505]	126 [1117]	108 [958]	283 [2505]	143 [1262]	102 [907]	88 [778]	2,78 [24.6]	15,3 [135]
DTR115S-006	6:1	131 [1163]	112 [989]	109 [960]	283 [2505]	129 [1138]	103 [913]	100 [887]	2,77 [24.5]	10,2 [90.7]
DTR115S-009	9:1	102 [903]	87 [768]	84 [746]	281 [2490]	100 [884]	80 [709]	78 [689]	2,32 [20.5]	12,8 [113]
DTR115S-010	10:1	135 [1198]	124 [1094]	112 [989]	283 [2505]	134 [1183]	118 [1048]	103 [913]	2,63 [23.2]	10,2 [90.3]
DTR115S-012	12:1	68 [601]	58 [511]	56 [496]	217 [1920]	66 [588]	53 [472]	52 [458]	2,22 [19.6]	14,0 [124]
DTR115S-015	15:1	105 [930]	96 [849]	87 [768]	283 [2505]	104 [919]	92 [814]	80 [709]	2,18 [19.3]	14,6 [130]
DTR115S-020	20:1	70 [619]	64 [565]	58 [511]	283 [2505]	69 [612]	61 [542]	53 [472]	2,08 [18.4]	14,0 [124]
DTR115S-025	25:1	52 [465]	48 [424]	43 [384]	183 [1620]	52 [459]	46 [406]	40 [354]	2,04 [18.0]	14,6 [129]
DTR115S-030	30:1	107 [951]	103 [910]	98 [869]	283 [2505]	107 [945]	101 [892]	95 [840]	2,13 [18.9]	12,5 [111]
DTR115S-040	40:1	72 [633]	68 [606]	65 [579]	231 [2040]	71 [629]	67 [594]	63 [559]	2,03 [18.0]	13,8 [122]
DTR115S-050	50:1	54 [475]	51 [454]	49 [434]	188 [1665]	53 [472]	50 [446]	47 [419]	1,99 [17.6]	14,5 [128]
DTR115S-060	60:1	140 [1242]	138 [1224]	136 [1207]	283 [2505]	140 [1239]	137 [1217]	135 [1194]	2,78 [24.6]	10,0 [88.5]
DTR115S-075	75:1	109 [963]	107 [947]	105 [930]	283 [2505]	109 [960]	106 [939]	104 [919]	2,22 [19.7]	12,7 [112]
DTR115S-090	90:1	109 [964]	107 [951]	106 [937]	283 [2505]	109 [962]	107 [945]	105 [927]	2,33 [20.6]	12,6 [112]
DTR115S-100	100:1	141 [1245]	140 [1235]	138 [1224]	283 [2505]	141 [1244]	139 [1230]	137 [1217]	2,64 [23.3]	10,1 [89.5]
DTR115S-120	120:1	73 [642]	72 [633]	70 [624]	238 [2108]	72 [641]	71 [629]	70 [617]	2,23 [19.7]	13,9 [123]
DTR115S-125	125:1	54 [481]	53 [473]	52 [465]	193 [1710]	54 [480]	53 [469]	52 [459]	2,08 [18.4]	14,6 [129]
DTR115S-150	150:1	109 [967]	108 [959]	107 [951]	283 [2505]	109 [966]	108 [955]	107 [945]	2,19 [19.4]	12,7 [112]
DTR115S-200	200:1	141 [1248]	140 [1243]	140 [1237]	283 [2505]	141 [1247]	140 [1240]	139 [1234]	2,59 [22.9]	9,8 [87.1]
DTR115S-250	250:1	55 [483]	54 [479]	54 [475]	196 [1735]	54 [482]	54 [477]	53 [472]	2,05 [18.1]	14,6 [129]
DTR115S-300	300:1	109 [969]	109 [965]	109 [961]	283 [2505]	109 [968]	109 [963]	108 [958]	2,14 [18.9]	12,5 [111]
DTR115S-400	400:1	73 [645]	73 [642]	72 [640]	244 [2160]	73 [645]	72 [641]	72 [638]	2,04 [18.1]	13,8 [122]
DTR115S-500	500:1	55 [484]	54 [482]	54 [480]	198 [1755]	55 [483]	54 [481]	54 [478]	2,00 [17.7]	14,5 [128]

Ratio 5P is designed using only PowerTRUE face gearing technology.

Ratio 5T adds a True Planetary gearing stage for increased torque capacity.

<sup>1</sup> Ratios are exact, higher ratios and other custom options are also available, consult factory.

T<sub>r</sub> = Rated output torque at rated speed for specific hours of life.

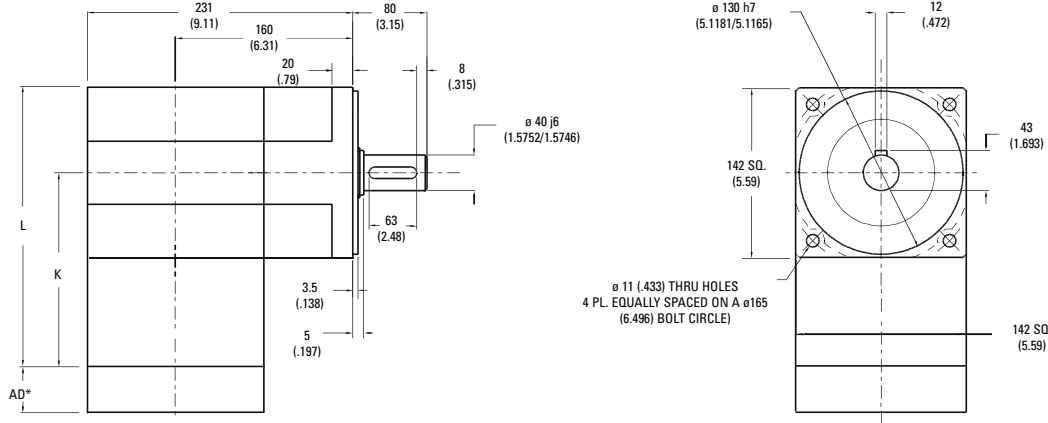
J = Mass moment of inertia reflected to the input shaft (including pinion assembly)

T<sub>peak</sub> = Allowable momentary peak torque for emergency stop or heavy shock loading.

# DuraTRUE 90™ Size 142

## Right Angle Gearheads

Metric



Ratio <sup>1</sup>	Dimension 'K' mm [in]	Dimension 'L' mm [in]	Backlash [arc-min]	Weight kg [lb]	Efficiency
5:1 to 50:1	160 [6.29]	231 [9.09]	9 max	24 [53]	93%
60:1 to 500:1	209 [8.23]	280 [11.03]	9 max	28 [62]	88%

All dimensions are: mm (inch)

AD\*\* = Adapter length

Adapter length will vary depending on motor. Efficiency is calculated at 100% of the rated torque.

## Performance Specifications

Part Number	Ratio <sup>1</sup>	10000 Hour Life			T <sub>peak</sub> Nm [in-lb]	20000 Hour Life			J kg-cm <sup>2</sup> [in-lb-sec <sup>2</sup> x10 <sup>-4</sup> ]	Torsional Stiffness Nm/arc-min [in-lb/arc-min]
		T <sub>r</sub> (1000 rpm) Nm [in-lb]	T <sub>r</sub> (3000 rpm) Nm [in-lb]	T <sub>r</sub> (5000 rpm) Nm [in-lb]		T <sub>r</sub> (1000 rpm) Nm [in-lb]	T <sub>r</sub> (3000 rpm) Nm [in-lb]	T <sub>r</sub> (5000 rpm) Nm [in-lb]		
DTR142-005	5:1	433 [3833]	311 [2757]	267 [2365]	833 [7377]	352 [3114]	253 [2239]	217 [1921]	13,9 [123]	47,4 [419]
DTR142-006	6:1	454 [4020]	329 [2912]	282 [2498]	833 [7377]	372 [3289]	267 [2365]	229 [2029]	13,8 [122]	38,6 [342]
DTR142-009	9:1	444 [3934]	372 [3289]	319 [2821]	833 [7377]	420 [3714]	302 [2671]	259 [2292]	11,8 [104]	39,1 [346]
DTR142-010	10:1	448 [3965]	363 [3210]	311 [2754]	833 [7377]	410 [3625]	295 [2607]	253 [2237]	13,7 [121]	40,6 [360]
DTR142-012	12:1	319 [2825]	319 [2825]	319 [2825]	798 [7062]	319 [2825]	319 [2825]	282 [2498]	10,9 [96.3]	39,3 [348]
DTR142-015	15:1	463 [4096]	410 [3625]	351 [3110]	833 [7377]	453 [4005]	333 [2944]	285 [2526]	10,7 [94.2]	39,4 [349]
DTR142-020	20:1	473 [4183]	432 [3824]	383 [3390]	833 [7377]	462 [4090]	363 [3210]	311 [2754]	10,8 [95.9]	40,9 [362]
DTR142-025	25:1	399 [3532]	399 [3532]	399 [3532]	833 [7377]	399 [3532]	388 [3432]	333 [2944]	10,6 [94.0]	40,9 [362]
DTR142-030	30:1	268 [2373]	228 [2022]	134 [1185]	833 [7377]	248 [2196]	211 [1871]	195 [1724]	11,7 [103]	35,6 [315]
DTR142-040	40:1	279 [2468]	240 [2122]	221 [1952]	833 [7377]	258 [2284]	221 [1955]	204 [1807]	10,8 [95.5]	35,6 [315]
DTR142-050	50:1	287 [2543]	247 [2183]	228 [2022]	833 [7377]	266 [2353]	228 [2020]	211 [1871]	10,6 [93.7]	35,6 [315]
DTR142-060	60:1	592 [5238]	429 [3794]	368 [3255]	833 [7377]	486 [4297]	348 [3082]	299 [2644]	13,8 [122]	40,8 [361]
DTR142-075	75:1	557 [4928]	493 [4362]	423 [3742]	833 [7377]	544 [4819]	400 [3542]	343 [3039]	11,7 [104]	40,6 [360]
DTR142-090	90:1	579 [5126]	484 [4286]	415 [3676]	833 [7377]	547 [4839]	393 [3480]	337 [2986]	11,8 [104]	38,6 [342]
DTR142-100	100:1	584 [5166]	473 [4183]	405 [3588]	833 [7377]	534 [4723]	384 [3397]	329 [2915]	13,7 [121]	40,2 [356]
DTR142-120	120:1	416 [3681]	416 [3681]	416 [3681]	798 [7062]	416 [3681]	416 [3681]	368 [3255]	10,9 [96.3]	39,0 [345]
DTR142-125	125:1	480 [4250]	480 [4250]	480 [4250]	833 [7377]	480 [4250]	467 [4129]	400 [3542]	10,6 [94.0]	40,9 [362]
DTR142-150	150:1	603 [5337]	534 [4723]	458 [4052]	833 [7377]	590 [5218]	433 [3836]	372 [3291]	11,7 [104]	40,6 [360]
DTR142-200	200:1	616 [5450]	563 [4983]	499 [4417]	833 [7377]	602 [5329]	473 [4183]	405 [3588]	13,6 [120]	40,8 [361]
DTR142-250	250:1	520 [4602]	520 [4602]	520 [4602]	833 [7377]	520 [4602]	505 [4472]	433 [3836]	10,6 [94.0]	40,9 [362]
DTR142-300	300:1	349 [3092]	298 [2635]	174 [1544]	833 [7377]	323 [2861]	275 [2438]	254 [2246]	11,7 [103]	35,6 [315]
DTR142-400	400:1	363 [3216]	312 [2765]	287 [2543]	833 [7377]	336 [2976]	288 [2547]	266 [2355]	10,8 [95.5]	35,6 [315]
DTR142-500	500:1	374 [3314]	321 [2844]	298 [2635]	833 [7377]	346 [3066]	297 [2632]	275 [2438]	10,1 [89.4]	35,6 [315]

<sup>1</sup> Ratios are exact, higher ratios and other custom options are also available, consult factory.

T<sub>r</sub> = Rated output torque at rated speed for specific hours of life.

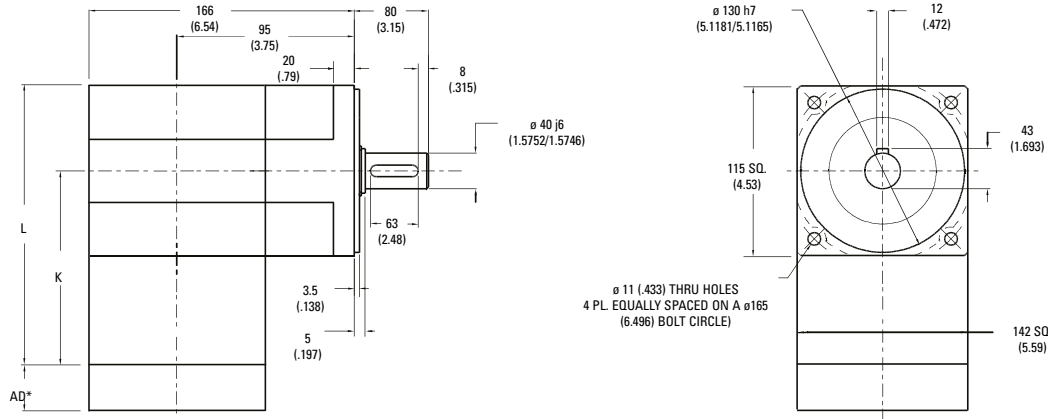
T<sub>peak</sub> = Allowable momentary peak torque for emergency stop or heavy shock loading

J = Mass moment of inertia reflected to the input shaft (including pinion assembly).

# DuraTRUE 90™ Size 142S (Slim Line)

## Right Angle Gearheads

## Metric



Ratio <sup>1</sup>	Dimension 'K' mm [in]	Dimension 'L' mm [in]	Backlash [arc-min]	Weight kg [lb]	Efficiency
1:1 to 5:1P	160 [6.29]	231 [9.09]	8 max	19 [43]	98%
5:1T to 50:1	209 [8.23]	280 [11.03]	9 max	24 [53]	93%
60:1 to 500:1	259 [10.18]	329 [12.97]	9 max	28 [62]	88%

All dimensions are: mm (inch)  
 AD\*\* = Adapter length  
 Adapter length will vary depending on motor.  
 Efficiency is calculated at 100% of the rated torque.

## Performance Specifications

Part Number	Ratio <sup>1</sup>	10000 Hour Life			T <sub>peak</sub> Nm [in-lb]	20000 Hour Life			J kg-cm <sup>2</sup> [in-lb-sec <sup>2</sup> x10 <sup>-4</sup> ]	Torsional Stiffness Nm/arc-min [in-lb/arc-min]
		T <sub>r</sub> (1000 rpm) Nm [in-lb]	T <sub>r</sub> (3000 rpm) Nm [in-lb]	T <sub>r</sub> (5000 rpm) Nm [in-lb]		T <sub>r</sub> (1000 rpm) Nm [in-lb]	T <sub>r</sub> (3000 rpm) Nm [in-lb]	T <sub>r</sub> (5000 rpm) Nm [in-lb]		
DTR142S-001	1:1	135 [1194]	123 [1090]	111 [985]	333 [2950]	125 [1103]	114 [1006]	103 [910]	26,3 [232]	23,7 [210]
DTR142S-002	2:1	279 [2474]	255 [2257]	231 [2041]	621 [5500]	258 [2284]	236 [2084]	213 [1885]	13,5 [119]	38,9 [344]
DTR142S-003	3:1	188 [1663]	171 [1518]	155 [1372]	478 [4230]	174 [1536]	158 [1401]	143 [1267]	11,6 [102]	44,1 [390]
DTR142S-004	4:1	135 [1194]	123 [1090]	111 [985]	414 [3660]	125 [1103]	114 [1006]	103 [910]	10,8 [95.1]	46,3 [410]
DTR142S-005P	5:1P	101 [896]	92 [818]	84 [739]	347 [3075]	93 [827]	85 [755]	77 [683]	10,6 [93.3]	47,4 [419]
DTR142S-005T	5:1T	340 [3009]	289 [2559]	281 [2484]	782 [6917]	333 [2944]	267 [2363]	259 [2294]	13,8 [122]	47,4 [419]
DTR142S-006	6:1	329 [2909]	279 [2474]	271 [2402]	678 [6000]	322 [2846]	258 [2284]	251 [2218]	13,8 [122]	31,8 [281]
DTR142S-009	9:1	221 [1956]	188 [1663]	182 [1614]	532 [4710]	216 [1913]	174 [1536]	168 [1491]	11,6 [102]	39,6 [351]
DTR142S-010	10:1	339 [2996]	309 [2735]	279 [2474]	734 [6500]	334 [2958]	296 [2621]	258 [2284]	13,1 [116]	31,6 [280]
DTR142S-012	12:1	159 [1404]	135 [1194]	131 [1159]	454 [4020]	155 [1374]	125 [1103]	121 [1071]	11,1 [97.7]	43,4 [384]
DTR142S-015	15:1	228 [2014]	208 [1839]	188 [1663]	551 [4875]	225 [1989]	199 [1762]	174 [1536]	10,9 [95.9]	45,4 [402]
DTR142S-020	20:1	163 [1446]	149 [1320]	135 [1194]	768 [6800]	161 [1428]	143 [1265]	125 [1103]	10,4 [91.5]	43,3 [383]
DTR142S-025	25:1	123 [1085]	112 [991]	101 [896]	391 [3460]	121 [1071]	107 [949]	93 [827]	10,2 [89.8]	45,3 [401]
DTR142S-030	30:1	233 [2058]	223 [1970]	213 [1882]	573 [5070]	231 [2045]	218 [1932]	205 [1819]	10,6 [93.8]	38,8 [343]
DTR142S-040	40:1	167 [1478]	160 [1415]	153 [1352]	486 [4300]	166 [1469]	157 [1387]	148 [1306]	10,1 [89.4]	42,8 [379]
DTR142S-050	50:1	125 [1109]	120 [1061]	115 [1014]	404 [3575]	125 [1102]	118 [1041]	111 [980]	9,91 [87.6]	45,0 [398]
DTR142S-060	60:1	351 [3105]	346 [3061]	341 [3018]	814 [7200]	350 [3099]	344 [3042]	337 [2986]	13,8 [122]	31,0 [274]
DTR142S-075	75:1	236 [2084]	232 [2049]	228 [2014]	593 [5250]	235 [2079]	230 [2034]	225 [1989]	11,1 [97.9]	39,4 [348]
DTR142S-090	90:1	236 [2087]	233 [2058]	229 [2029]	597 [5280]	235 [2083]	231 [2045]	227 [2008]	11,6 [103]	39,1 [346]
DTR142S-100	100:1	352 [3114]	349 [3088]	346 [3061]	825 [7300]	351 [3110]	348 [3076]	344 [3042]	13,1 [116]	31,3 [278]
DTR142S-120	120:1	169 [1499]	167 [1478]	165 [1457]	506 [4480]	169 [1496]	166 [1469]	163 [1442]	11,1 [98.2]	43,0 [380]
DTR142S-125	125:1	127 [1123]	125 [1104]	123 [1085]	415 [3675]	127 [1120]	124 [1096]	121 [1071]	10,4 [91.7]	45,3 [401]
DTR142S-150	150:1	237 [2093]	235 [2076]	233 [2058]	607 [5370]	236 [2091]	234 [2068]	231 [2045]	10,9 [96.4]	39,3 [348]
DTR142S-200	200:1	353 [3120]	351 [3107]	350 [3094]	842 [7450]	352 [3118]	350 [3101]	349 [3085]	12,9 [114]	30,5 [270]
DTR142S-250	250:1	127 [1128]	126 [1118]	125 [1109]	421 [3725]	127 [1126]	126 [1114]	125 [1102]	10,2 [90.3]	45,2 [400]
DTR142S-300	300:1	237 [2098]	236 [2089]	235 [2080]	614 [5430]	237 [2096]	236 [2085]	234 [2074]	10,7 [94.3]	38,8 [343]
DTR142S-400	400:1	170 [1506]	169 [1500]	169 [1494]	518 [4580]	170 [1505]	169 [1497]	168 [1489]	10,2 [89.8]	42,8 [379]
DTR142S-500	500:1	128 [1130]	127 [1125]	127 [1121]	427 [3775]	128 [1129]	127 [1123]	126 [1117]	9,96 [88.1]	45,0 [398]

Ratio 5P is designed using only PowerTRUE face gearing technology.

Ratio 5T adds a True Planetary gearing stage for increased torque capacity.

<sup>1</sup> Ratios are exact, higher ratios and other custom options are also available, consult factory.

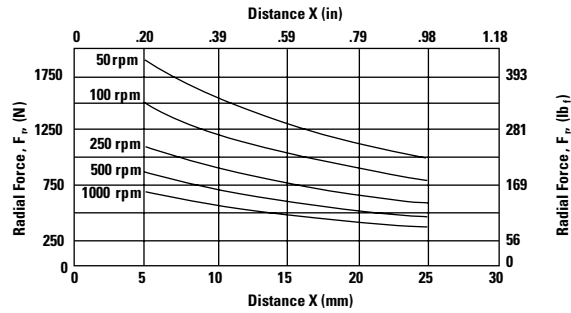
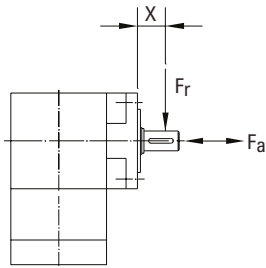
T<sub>r</sub> = Rated output torque at rated speed for specific hours of life.

J = Mass moment of inertia reflected to the input shaft (including pinion assembly)

T<sub>peak</sub> = Allowable momentary peak torque for emergency stop or heavy shock loading.

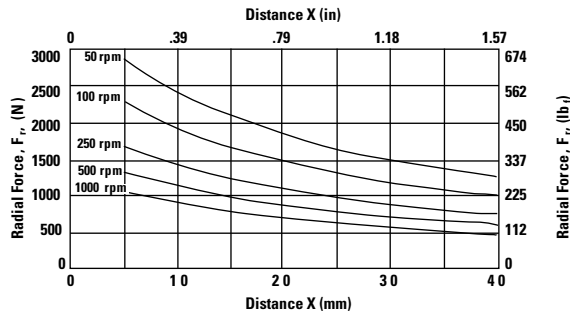
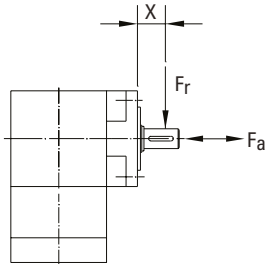
# Radial and Axial Load Ratings

## DTR60



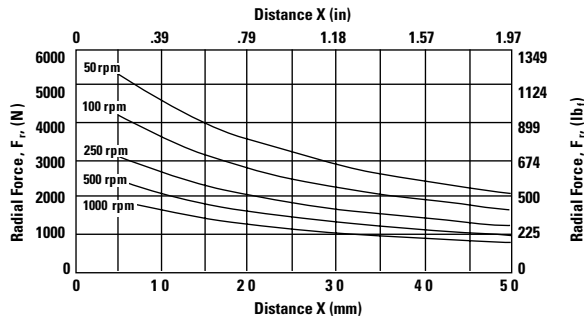
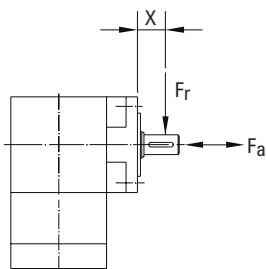
Speed rpm	Axial Load, $F_a$ N [lb <sub>f</sub> ]
50	3075 [692]
100	2441 [549]
250	1798 [405]
500	1427 [321]
1000	1133 [255]

## DTR90



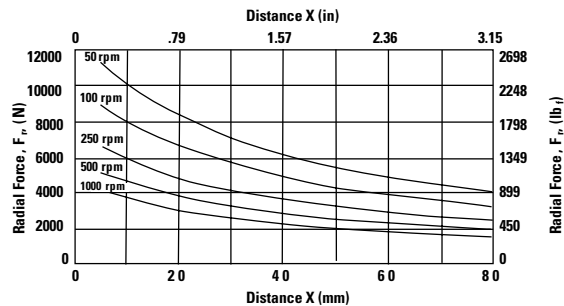
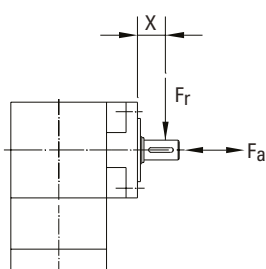
Speed rpm	Axial Load, $F_a$ N [lb <sub>f</sub> ]
50	4506 [1014]
100	3576 [805]
250	2635 [593]
500	2091 [471]
1000	1660 [373]

## DTR115



Speed rpm	Axial Load, $F_a$ N [lb <sub>f</sub> ]
50	8196 [1844]
100	6505 [1464]
250	4793 [1078]
500	3804 [856]
1000	3019 [679]

## DTR142



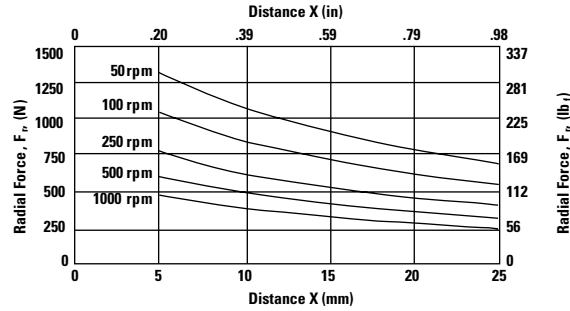
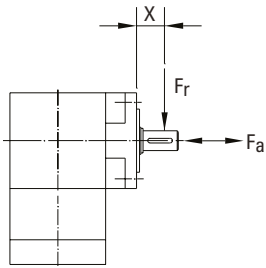
Speed rpm	Axial Load, $F_a$ N [lb <sub>f</sub> ]
50	17023 [3830]
100	13511 [3040]
250	9956 [2240]
500	7902 [1778]
1000	6271 [1411]

These graphs display the allowable radial load at a given distance (X) from the mounting surface based on an  $L_{10}$  life of 10,000 hours for the mean output speed  $n_{mout}$ , as described on page 10,



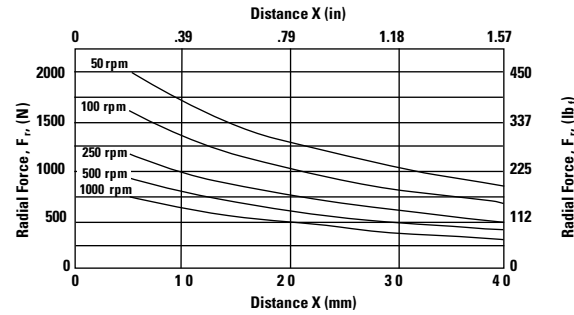
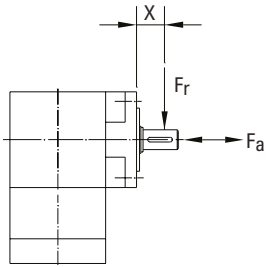
# Radial and Axial Load Ratings

## DTR60S



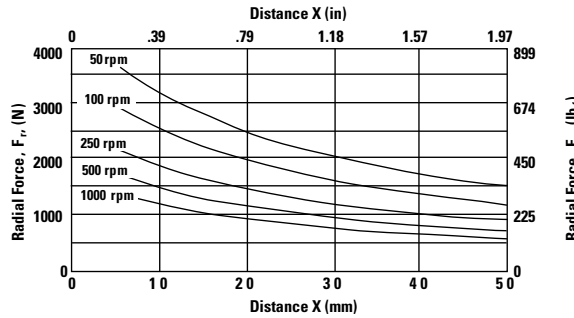
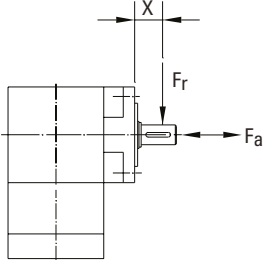
Speed rpm	Axial Load, $F_a$ N [lb <sub>f</sub> ]
50	2155 [484]
100	1710 [384]
250	1260 [283]
500	1000 [225]
1000	794 [178]

## DTR90S



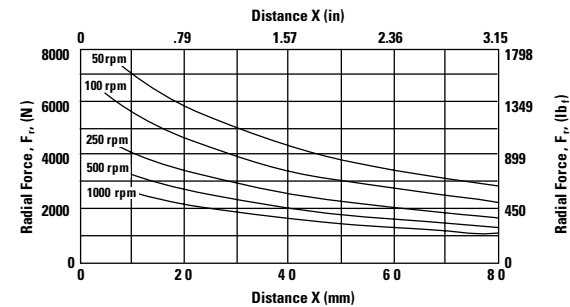
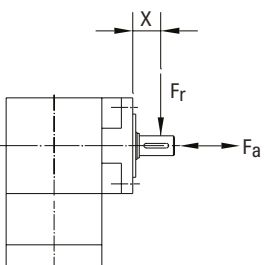
Speed rpm	Axial Load, $F_a$ N [lb <sub>f</sub> ]
50	3157 [710]
100	2506 [563]
250	1846 [415]
500	1465 [329]
1000	1163 [261]

## DTR115S



Speed rpm	Axial Load, $F_a$ N [lb <sub>f</sub> ]
50	5742 [1291]
100	4558 [1025]
250	3358 [755]
500	2665 [599]
1000	2115 [476]

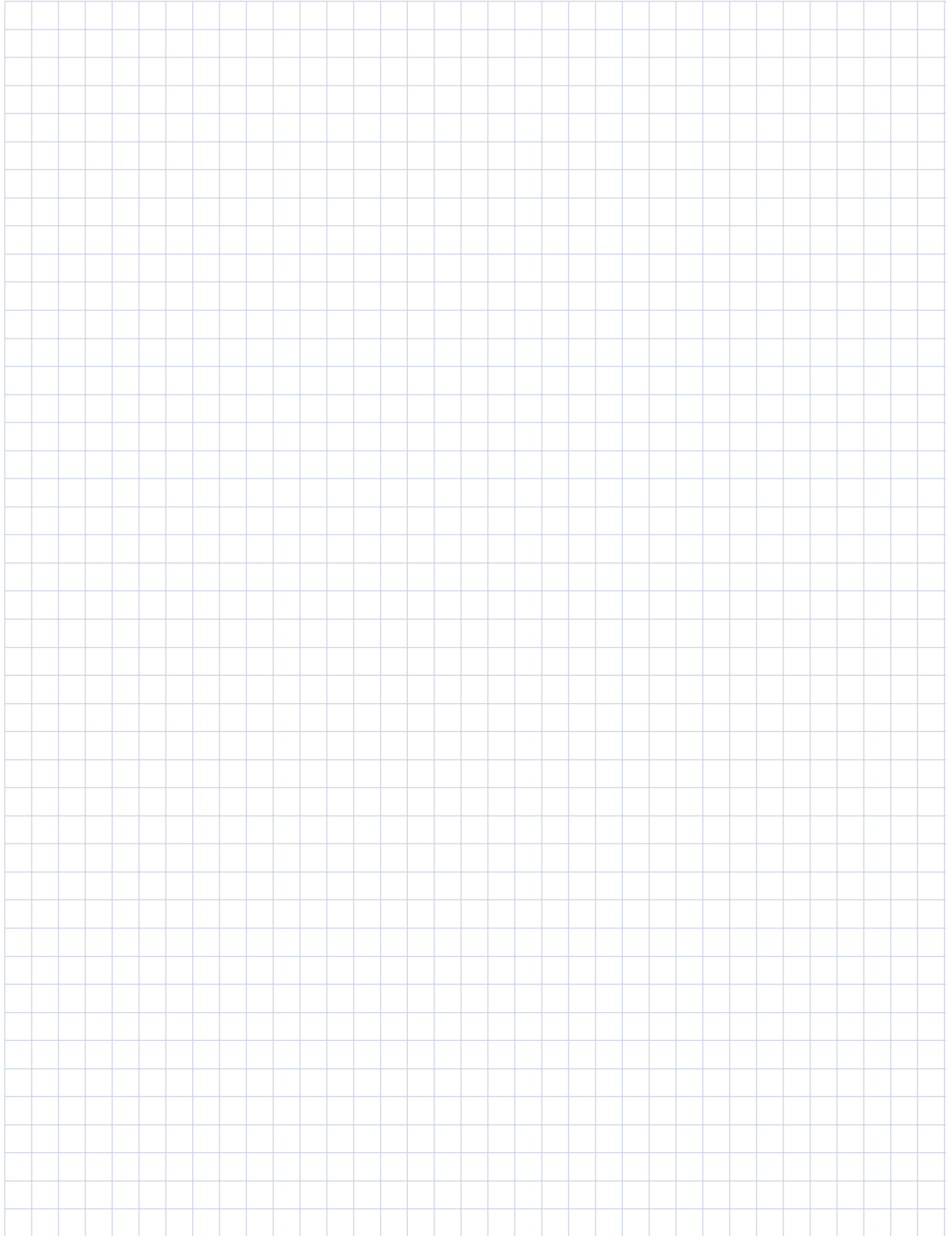
## DTR142S



Speed rpm	Axial Load, $F_a$ N [lb <sub>f</sub> ]
50	11925 [2681]
100	9465 [2128]
250	6974 [1568]
500	5535 [1244]
1000	4393 [988]

These graphs display the allowable radial load at a given distance (X) from the mounting surface based on an  $L_{10}$  life of 10,000 hours for the mean output speed  $n_{mout}$ , as described on page 10,



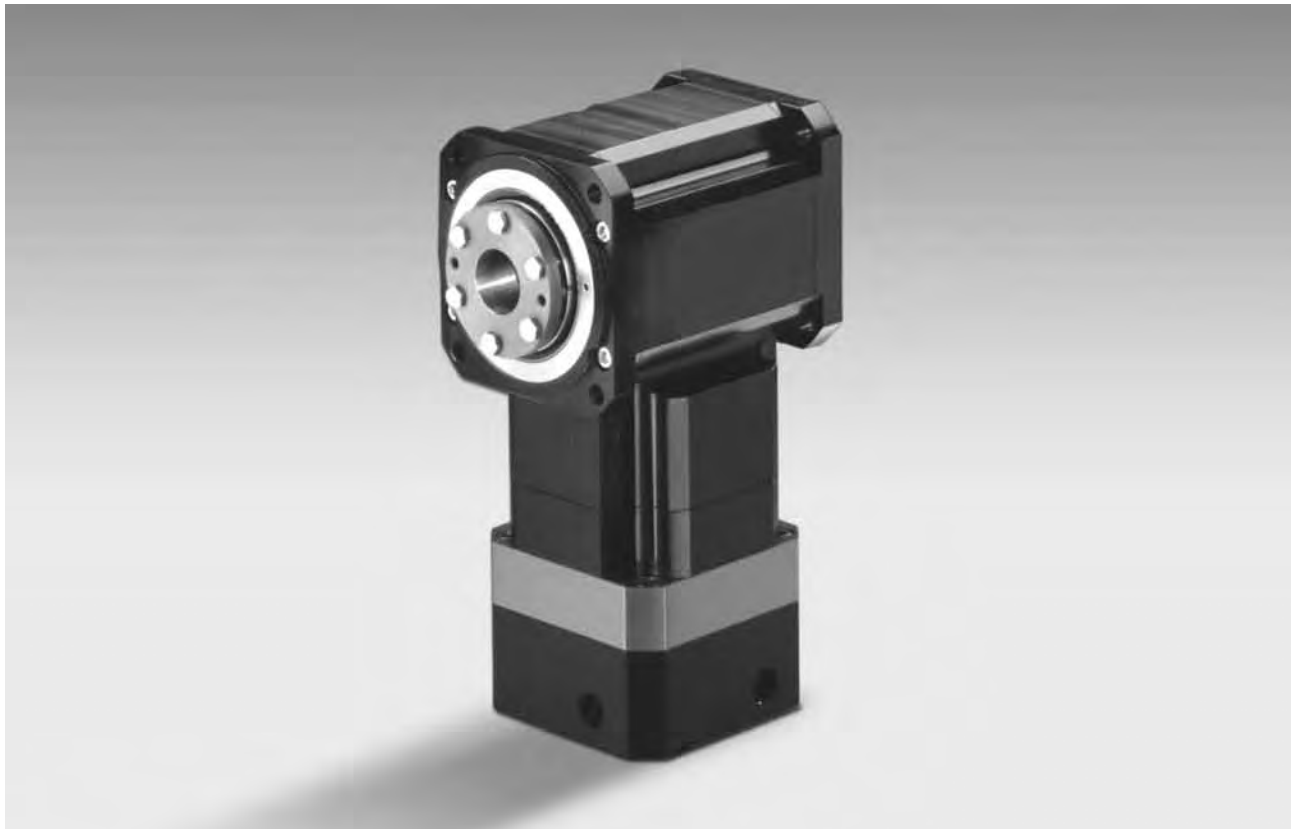


# DuraTRUE 90™ Hollow Shaft

## Right Angle Gearheads

### Ready for Immediate Delivery

<b>Precision</b>	8 arc-minutes
<b>Frame Sizes</b>	90mm, 115mm and 142mm
<b>Torque Capacity</b>	up to 865 Nm
<b>Ratio Availability</b>	1:1 thru 500:1
<b>Radial load capacity</b>	up to 11150 N
<b>Mounting System</b>	RediMount™



Sold & Serviced By:

 **ELECTROMATE**

Toll Free Phone (877) SERV098

Toll Free Fax (877) SERV099

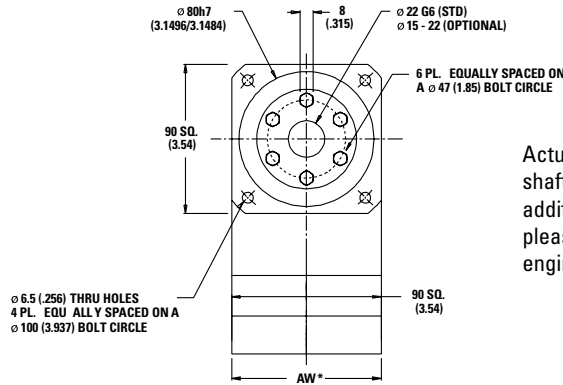
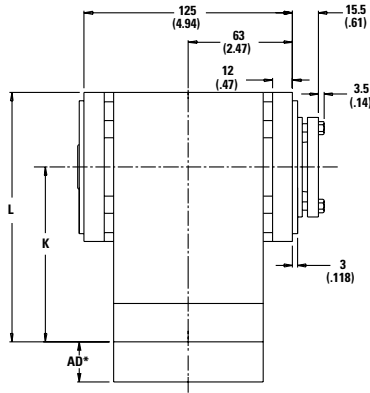
[www.electromate.com](http://www.electromate.com)

[sales@electromate.com](mailto:sales@electromate.com)

# DuraTRUE 90™ Size 90H (Hollow Shaft)

## Right Angle Gearheads

Metric



Actual thru bore of output shaft is larger than shown. For additional thru bore information, please contact application engineering.

Ratio <sup>1</sup>	Dimension 'K' mm [in]	Dimension 'L' mm [in]	Backlash [arc-min]	Weight kg [lb]	Efficiency
1:1 to 5:1P	101 [3.99]	146 [5.76]	8 max	4.1 [9]	98%
5:1T to 50:1	124 [4.89]	169 [6.66]	9 max	4.8 [10]	93%
60:1 to 500:1	147 [5.79]	192 [7.56]	9 max	5.5 [12]	88%

All dimensions are: mm (inch)  
 AW\* = Adapter width  
 AD\* = Adapter length  
 Both will vary depending on motor.  
 Efficiency is calculated at 100% of the rated torque.

## Performance Specifications

Part Number	Ratio <sup>1</sup>	10,000 Hour Life			T <sub>peak</sub> Nm [in-lb]	20,000 Hour Life			J kg-cm <sup>2</sup> [in-lb-sec <sup>2</sup> ×10 <sup>-4</sup> ]	Torsional Stiffness Nm/arc-min [in-lb/arc-min]
		T <sub>r</sub> (1000 rpm) Nm [in-lb]	T <sub>r</sub> (3000 rpm) Nm [in-lb]	T <sub>r</sub> (5000 rpm) Nm [in-lb]		T <sub>r</sub> (1000 rpm) Nm [in-lb]	T <sub>r</sub> (3000 rpm) Nm [in-lb]	T <sub>r</sub> (5000 rpm) Nm [in-lb]		
DTR90H-001	1:1	21 [188]	19 [171]	17 [155]	140 [1237]	20 [173]	18 [158]	16 [143]	3,11 [27.5]	4,3 [37.9]
DTR90H-002	2:1	48 [426]	44 [389]	40 [352]	140 [1237]	44 [394]	41 [359]	37 [325]	1,59 [14.1]	6,5 [57.2]
DTR90H-003	3:1	32 [281]	29 [256]	26 [232]	140 [1237]	29 [260]	27 [237]	24 [214]	1,37 [12.1]	7,3 [64.6]
DTR90H-004	4:1	24 [215]	22 [196]	20 [177]	140 [1237]	22 [199]	20 [181]	19 [164]	1,27 [11.2]	7,6 [67.7]
DTR90H-005P	5:1P	18 [158]	16 [144]	15 [131]	140 [1237]	17 [146]	15 [133]	14 [121]	1,25 [11.0]	7,8 [69.2]
DTR90H-005T	5:1T	64 [568]	55 [483]	53 [469]	140 [1237]	63 [556]	50 [446]	49 [433]	1,64 [14.5]	5,1 [45.1]
DTR90H-006	6:1	57 [501]	48 [426]	47 [414]	140 [1237]	55 [490]	44 [394]	43 [382]	1,63 [14.4]	5,1 [45.1]
DTR90H-009	9:1	37 [331]	32 [281]	31 [273]	140 [1237]	37 [323]	29 [260]	28 [252]	1,37 [12.1]	6,4 [56.9]
DTR90H-010	10:1	58 [516]	53 [471]	48 [426]	140 [1237]	58 [510]	51 [452]	44 [394]	1,54 [13.7]	5,0 [44.5]
DTR90H-012	12:1	29 [253]	24 [215]	24 [209]	140 [1237]	28 [247]	22 [199]	22 [193]	1,31 [11.6]	7,1 [62.7]
DTR90H-015	15:1	38 [340]	35 [311]	32 [281]	140 [1237]	38 [336]	34 [298]	29 [260]	1,28 [11.3]	7,4 [65.8]
DTR90H-020	20:1	29 [261]	27 [238]	24 [215]	140 [1237]	29 [257]	26 [228]	22 [199]	1,22 [10.8]	7,1 [62.4]
DTR90H-025	25:1	22 [192]	20 [175]	18 [158]	140 [1237]	21 [189]	19 [168]	17 [146]	1,20 [10.6]	7,4 [65.6]
DTR90H-030	30:1	39 [348]	38 [333]	36 [318]	140 [1237]	39 [346]	37 [327]	35 [307]	1,25 [11.1]	6,1 [53.8]
DTR90H-040	40:1	30 [266]	29 [255]	28 [243]	140 [1237]	30 [265]	28 [250]	27 [235]	1,19 [10.6]	6,8 [60.5]
DTR90H-050	50:1	22 [196]	21 [188]	20 [179]	140 [1237]	22 [195]	21 [184]	20 [173]	1,17 [10.4]	7,3 [64.2]
DTR90H-060	60:1	60 [535]	60 [527]	59 [520]	140 [1237]	60 [534]	59 [524]	58 [514]	1,63 [14.4]	4,9 [43.5]
DTR90H-075	75:1	40 [352]	39 [346]	38 [340]	140 [1237]	40 [351]	39 [344]	38 [336]	1,31 [11.6]	6,4 [56.2]
DTR90H-090	90:1	40 [353]	39 [348]	39 [343]	140 [1237]	40 [352]	39 [346]	38 [339]	1,37 [12.1]	6,3 [55.8]
DTR90H-100	100:1	61 [536]	60 [532]	60 [527]	140 [1237]	61 [536]	60 [530]	59 [524]	1,55 [13.7]	5,0 [43.9]
DTR90H-120	120:1	31 [270]	30 [266]	30 [262]	140 [1237]	30 [269]	30 [265]	29 [260]	1,31 [11.6]	7,0 [62.0]
DTR90H-125	125:1	22 [198]	22 [195]	22 [192]	140 [1237]	22 [198]	22 [194]	21 [189]	1,23 [10.8]	7,4 [65.5]
DTR90H-150	150:1	40 [354]	40 [351]	39 [348]	140 [1237]	40 [353]	39 [350]	39 [346]	1,29 [11.4]	6,3 [56.1]
DTR90H-200	200:1	61 [538]	60 [535]	60 [533]	140 [1237]	61 [537]	60 [534]	60 [531]	1,52 [13.5]	4,6 [40.7]
DTR90H-250	250:1	23 [199]	22 [198]	22 [196]	140 [1237]	22 [199]	22 [197]	22 [195]	1,21 [10.7]	7,4 [65.4]
DTR90H-300	300:1	40 [355]	40 [353]	40 [352]	140 [1237]	40 [354]	40 [352]	40 [350]	1,26 [11.1]	6,1 [53.7]
DTR90H-400	400:1	31 [271]	31 [270]	30 [269]	140 [1237]	31 [271]	30 [270]	30 [268]	1,20 [10.6]	6,8 [60.5]
DTR90H-500	500:1	23 [200]	22 [199]	22 [198]	140 [1237]	23 [200]	22 [198]	22 [197]	1,18 [10.4]	7,3 [64.2]

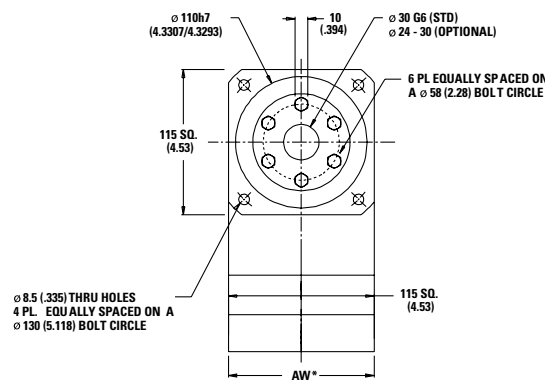
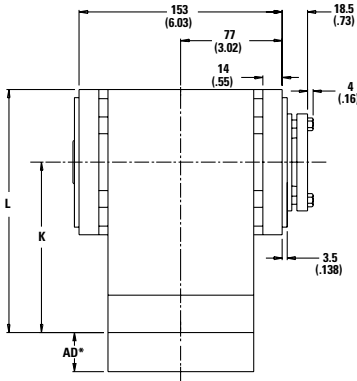
Ratio 5P is designed using only PowerTRUE face gearing technology.  
 Ratio 5T adds a True Planetary gearing stage for increased torque capacity.  
<sup>1</sup> Ratios are exact, higher ratios are also available, consult factory.

T<sub>r</sub> = Rated output torque at rated speed for specific hours of life.  
 J = Mass moment of inertia reflected to the input shaft (including pinion assembly)  
 T<sub>peak</sub> = Allowable momentary peak torque for emergency stop or heavy shock loading.

# DuraTRUE 90™ Size 115H (Hollow Shaft)

Metric

## Right Angle Gearheads



Actual thru bore of output shaft is larger than shown. For additional thru bore information, please contact application engineering.

Ratio <sup>1</sup>	Dimension 'K' mm [in]	Dimension 'L' mm [in]	Backlash [arc-min]	Weight kg [lb]	Efficiency
1:1 to 5:1P	137 [5.41]	195 [7.67]	8 max	9 [20]	98%
5:1T to 50:1	169 [6.64]	226 [8.90]	9 max	11 [24]	93%
60:1 to 500:1	200 [7.87]	257 [10.13]	9 max	12 [27]	88%

All dimensions are: mm (inch)  
 AW\* = Adapter width  
 AD\* = Adapter length  
 Both will vary depending on motor.  
 Efficiency is calculated at 100% of the rated torque.

## Performance Specifications

Part Number	Ratio <sup>1</sup>	10,000 Hour Life			T peak Nm [in-lb]	20,000 Hour Life			J kg-cm <sup>2</sup> [in-lb-sec <sup>2</sup> x10 <sup>-4</sup> ]	Torsional Stiffness Nm/arc-min [in-lb/arc-min]
		T <sub>r</sub> (1000 rpm) Nm [in-lb]	T <sub>r</sub> (3000 rpm) Nm [in-lb]	T <sub>r</sub> (5000 rpm) Nm [in-lb]		T <sub>r</sub> (1000 rpm) Nm [in-lb]	T <sub>r</sub> (3000 rpm) Nm [in-lb]	T <sub>r</sub> (5000 rpm) Nm [in-lb]		
DTR115H-001	1:1	63 [554]	57 [506]	52 [457]	283 [2505]	58 [512]	53 [467]	48 [422]	5,28 [46.7]	7,6 [67.6]
DTR115H-002	2:1	112 [989]	102 [903]	92 [816]	283 [2505]	103 [913]	94 [834]	85 [754]	2,71 [23.9]	12,5 [111]
DTR115H-003	3:1	87 [768]	79 [701]	72 [634]	283 [2505]	80 [709]	73 [647]	66 [585]	2,33 [20.6]	14,2 [126]
DTR115H-004	4:1	58 [511]	53 [467]	48 [422]	283 [2505]	53 [472]	49 [431]	44 [390]	2,16 [19.1]	14,9 [132]
DTR115H-005P	5:1P	43 [384]	40 [350]	36 [316]	283 [2505]	40 [354]	37 [323]	33 [292]	2,12 [18.8]	15,3 [135]
DTR115H-005T	5:1T	170 [1505]	126 [1117]	108 [958]	283 [2505]	143 [1262]	102 [907]	88 [778]	2,78 [24.6]	15,3 [135]
DTR115H-006	6:1	131 [1163]	112 [989]	109 [960]	283 [2505]	129 [1138]	103 [913]	100 [887]	2,77 [24.5]	10,2 [90.7]
DTR115H-009	9:1	102 [903]	87 [768]	84 [746]	283 [2505]	100 [884]	80 [709]	78 [689]	2,32 [20.5]	12,8 [113]
DTR115H-010	10:1	135 [1198]	124 [1094]	112 [989]	283 [2505]	134 [1183]	118 [1048]	103 [913]	2,63 [23.2]	10,2 [90.3]
DTR115H-012	12:1	68 [601]	58 [511]	56 [496]	283 [2505]	66 [588]	53 [472]	52 [458]	2,22 [19.6]	14,0 [124]
DTR115H-015	15:1	105 [930]	96 [849]	87 [768]	283 [2505]	104 [919]	92 [814]	80 [709]	2,18 [19.3]	14,6 [130]
DTR115H-020	20:1	70 [619]	64 [565]	58 [511]	283 [2505]	69 [612]	61 [542]	53 [472]	2,08 [18.4]	14,0 [124]
DTR115H-025	25:1	52 [465]	48 [424]	43 [384]	283 [2505]	52 [459]	46 [406]	40 [354]	2,04 [18.0]	14,6 [129]
DTR115H-030	30:1	107 [951]	103 [910]	98 [869]	283 [2505]	107 [945]	101 [892]	95 [840]	2,13 [18.9]	12,5 [111]
DTR115H-040	40:1	72 [633]	68 [606]	65 [579]	283 [2505]	71 [629]	67 [594]	63 [559]	2,03 [18.0]	13,8 [122]
DTR115H-050	50:1	54 [475]	51 [454]	49 [434]	283 [2505]	53 [472]	50 [446]	47 [419]	1,99 [17.6]	14,5 [128]
DTR115H-060	60:1	140 [1242]	138 [1224]	136 [1207]	283 [2505]	140 [1239]	137 [1217]	135 [1194]	2,78 [24.6]	10,0 [88.5]
DTR115H-075	75:1	109 [963]	107 [947]	105 [930]	283 [2505]	109 [960]	106 [939]	104 [919]	2,22 [19.7]	12,7 [112]
DTR115H-090	90:1	109 [964]	107 [951]	106 [937]	283 [2505]	109 [962]	107 [945]	105 [927]	2,33 [20.6]	12,6 [112]
DTR115H-100	100:1	141 [1245]	140 [1235]	138 [1224]	283 [2505]	141 [1244]	137 [1230]	137 [1217]	2,64 [23.3]	10,1 [89.5]
DTR115H-120	120:1	73 [642]	72 [633]	70 [624]	283 [2505]	72 [641]	70 [629]	70 [617]	2,23 [19.7]	13,9 [123]
DTR115H-125	125:1	54 [481]	53 [473]	52 [465]	283 [2505]	54 [480]	52 [469]	52 [459]	2,08 [18.4]	14,6 [129]
DTR115H-150	150:1	109 [967]	108 [959]	107 [951]	283 [2505]	109 [966]	107 [955]	107 [945]	2,19 [19.4]	12,7 [112]
DTR115H-200	200:1	141 [1248]	140 [1243]	140 [1237]	283 [2505]	141 [1247]	139 [1240]	138 [1234]	2,59 [22.9]	9,8 [87.1]
DTR115H-250	250:1	55 [483]	54 [479]	54 [475]	283 [2505]	54 [482]	53 [477]	53 [472]	2,05 [18.1]	14,6 [129]
DTR115H-300	300:1	109 [969]	109 [965]	109 [961]	283 [2505]	109 [968]	108 [963]	108 [958]	2,14 [18.9]	12,5 [111]
DTR115H-400	400:1	73 [645]	73 [642]	72 [640]	283 [2505]	73 [645]	72 [641]	72 [638]	2,04 [18.1]	13,8 [122]
DTR115H-500	500:1	55 [484]	54 [482]	54 [480]	283 [2505]	55 [483]	54 [481]	54 [478]	2,00 [17.7]	14,5 [128]

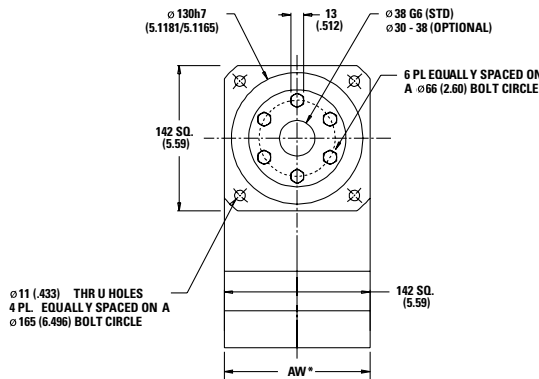
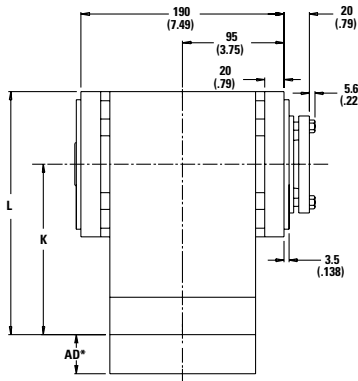
Ratio 5P is designed using only PowerTRUE face gearing technology.  
 Ratio 5T adds a True Planetary gearing stage for increased torque capacity.  
<sup>1</sup> Ratios are exact, higher ratios are also available, consult factory.

T<sub>r</sub> = Rated output torque at rated speed for specific hours of life.  
 J = Mass moment of inertia reflected to the input shaft (including pinion assembly)  
 T<sub>peak</sub> = Allowable momentary peak torque for emergency stop or heavy shock loading.

# DuraTRUE 90™ Size 142H (Hollow Shaft)

## Right Angle Gearheads

Metric



Actual thru bore of output shaft is larger than shown. For additional thru bore information, please contact application engineering.

Ratio <sup>1</sup>	Dimension 'K' mm [in]	Dimension 'L' mm [in]	Backlash [arc-min]	Weight kg [lb]	Efficiency
1:1 to 5:1P	163 [6.43]	234 [9.22]	8 max	19 [43]	98%
5:1T to 50:1	233 [9.17]	304 [11.96]	9 max	24 [53]	93%
60:1 to 500:1	262 [10.3]	332 [13.10]	9 max	28 [62]	88%

All dimensions are: mm (inch)  
 AW\* = Adapter width  
 AD\* = Adapter length  
 Both will vary depending on motor.  
 Efficiency is calculated at 100% of the rated torque.

## Performance Specifications

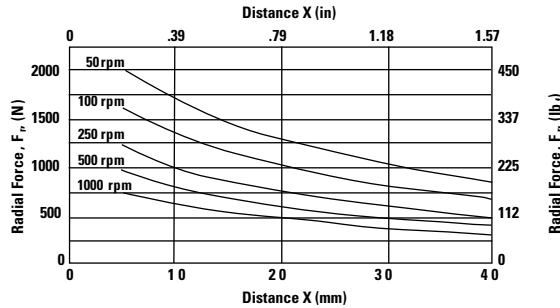
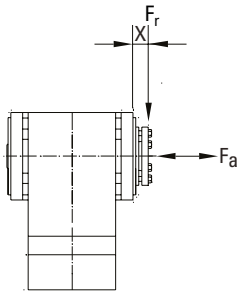
Part Number	Ratio <sup>1</sup>	10,000 Hour Life			T peak Nm [in-lb]	20,000 Hour Life			J kg-cm <sup>2</sup> [in-lb-sec <sup>2</sup> ×10 <sup>-4</sup> ]	Torsional Stiffness Nm/arc-min [in-lb/arc-min]
		T <sub>r</sub> (1000 rpm) Nm [in-lb]	T <sub>r</sub> (3000 rpm) Nm [in-lb]	T <sub>r</sub> (5000 rpm) Nm [in-lb]		T <sub>r</sub> (1000 rpm) Nm [in-lb]	T <sub>r</sub> (3000 rpm) Nm [in-lb]	T <sub>r</sub> (5000 rpm) Nm [in-lb]		
DTR142H-001	1:1	135 [1194]	123 [1090]	111 [985]	865 [7659]	125 [1103]	114 [1006]	103 [910]	26.3 [232]	23,7 [210]
DTR142H-002	2:1	279 [2474]	255 [2257]	231 [2041]	865 [7659]	258 [2284]	236 [2084]	213 [1885]	13.5 [119]	38,9 [344]
DTR142H-003	3:1	188 [1663]	171 [1518]	155 [1372]	865 [7659]	174 [1536]	158 [1401]	143 [1267]	11.6 [102]	44,1 [390]
DTR142H-004	4:1	135 [1194]	123 [1090]	111 [985]	865 [7659]	125 [1103]	114 [1006]	103 [910]	10.8 [95.1]	46,3 [410]
DTR142H-005P	5:1P	101 [896]	92 [818]	84 [739]	865 [7659]	93 [827]	85 [755]	77 [683]	10.6 [93.3]	47,4 [419]
DTR142H-005T	5:1T	340 [3009]	289 [2559]	281 [2484]	865 [7659]	333 [2944]	267 [2363]	259 [2294]	13.8 [122]	47,4 [419]
DTR142H-006	6:1	329 [2909]	279 [2474]	271 [2402]	865 [7659]	322 [2846]	258 [2284]	251 [2218]	13.8 [122]	31,8 [281]
DTR142H-009	9:1	221 [1956]	188 [1663]	182 [1614]	865 [7659]	216 [1913]	174 [1536]	168 [1491]	11.6 [102]	39,6 [351]
DTR142H-010	10:1	339 [2996]	309 [2735]	279 [2474]	865 [7659]	334 [2958]	296 [2621]	258 [2284]	13.1 [116]	31,6 [280]
DTR142H-012	12:1	159 [1404]	135 [1194]	131 [1159]	865 [7659]	155 [1374]	125 [1103]	121 [1071]	11.1 [97.7]	43,4 [384]
DTR142H-015	15:1	228 [2014]	208 [1839]	188 [1663]	865 [7659]	225 [1989]	199 [1762]	174 [1536]	10.9 [95.9]	45,4 [402]
DTR142H-020	20:1	163 [1446]	149 [1320]	135 [1194]	865 [7659]	161 [1428]	143 [1265]	125 [1103]	10.4 [91.5]	43,3 [383]
DTR142H-025	25:1	123 [1085]	112 [991]	101 [896]	865 [7659]	121 [1071]	107 [949]	93 [827]	10.2 [89.8]	45,3 [401]
DTR142H-030	30:1	233 [2058]	223 [1970]	213 [1882]	865 [7659]	231 [2045]	218 [1932]	205 [1819]	10.6 [93.8]	38,8 [343]
DTR142H-040	40:1	167 [1478]	160 [1415]	153 [1352]	865 [7659]	166 [1469]	157 [1387]	148 [1306]	10.1 [89.4]	42,8 [379]
DTR142H-050	50:1	125 [1109]	120 [1061]	115 [1014]	865 [7659]	125 [1102]	118 [1041]	111 [980]	9.91 [87.6]	45,0 [398]
DTR142H-060	60:1	351 [3105]	346 [3061]	341 [3018]	865 [7659]	350 [3099]	344 [3042]	337 [2986]	13.8 [122]	31,0 [274]
DTR142H-075	75:1	236 [2084]	232 [2049]	228 [2014]	865 [7659]	235 [2079]	230 [2034]	225 [1989]	11.1 [97.9]	39,4 [348]
DTR142H-090	90:1	236 [2087]	233 [2058]	229 [2029]	865 [7659]	235 [2083]	231 [2045]	227 [2008]	11.6 [103]	39,1 [346]
DTR142H-100	100:1	352 [3114]	349 [3088]	346 [3061]	865 [7659]	351 [3110]	348 [3076]	344 [3042]	13.1 [116]	31,3 [278]
DTR142H-120	120:1	169 [1499]	167 [1478]	165 [1457]	865 [7659]	169 [1496]	166 [1469]	163 [1442]	11.1 [98.2]	43,0 [380]
DTR142H-125	125:1	127 [1123]	125 [1104]	123 [1085]	865 [7659]	127 [1120]	124 [1096]	121 [1071]	10.4 [91.7]	45,3 [401]
DTR142H-150	150:1	237 [2093]	235 [2076]	233 [2058]	865 [7659]	236 [2091]	234 [2068]	231 [2045]	10.9 [96.4]	39,3 [348]
DTR142H-200	200:1	353 [3120]	351 [3107]	350 [3094]	865 [7659]	352 [3118]	350 [3101]	349 [3085]	12.9 [114]	30,5 [270]
DTR142H-250	250:1	127 [1128]	126 [1118]	125 [1109]	865 [7659]	127 [1126]	126 [1114]	125 [1102]	10.2 [90.3]	45,2 [400]
DTR142H-300	300:1	237 [2098]	236 [2089]	235 [2080]	865 [7659]	237 [2096]	236 [2085]	234 [2074]	10.7 [94.3]	38,8 [343]
DTR142H-400	400:1	170 [1506]	169 [1500]	169 [1494]	865 [7659]	170 [1505]	169 [1497]	168 [1489]	10.2 [89.8]	42,8 [379]
DTR142H-500	500:1	128 [1130]	127 [1125]	127 [1121]	865 [7659]	128 [1129]	127 [1123]	126 [1117]	9.96 [88.1]	45,0 [398]

Ratio 5P is designed using only PowerTRUE face gearing technology.  
 Ratio 5T adds a True Planetary gearing stage for increased torque capacity.  
<sup>1</sup> Ratios are exact, higher ratios are also available, consult factory.

T<sub>r</sub> = Rated output torque at rated speed for specific hours of life.  
 J = Mass moment of inertia reflected to the input shaft (including pinion assembly)  
 T<sub>peak</sub> = Allowable momentary peak torque for emergency stop or heavy shock loading.

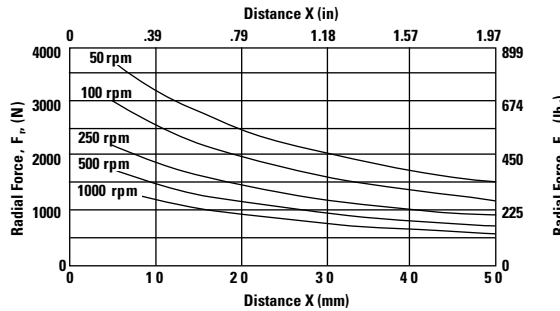
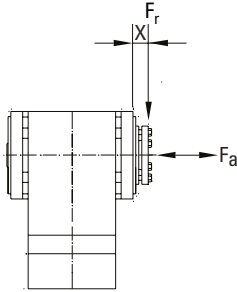
# Radial and Axial Load Ratings

## DTR90H



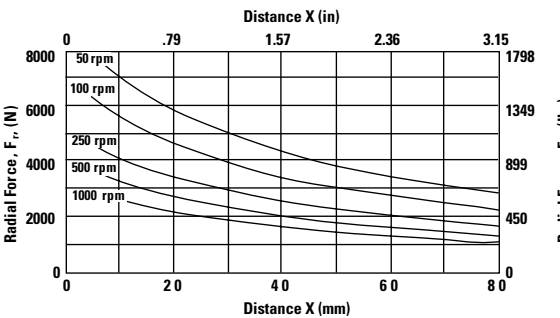
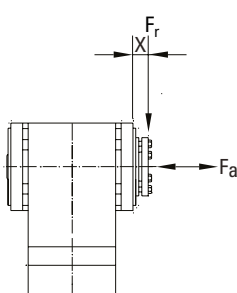
Speed rpm	Axial Load, $F_a$ N [lb <sub>f</sub> ]
50	3157 [710]
100	2506 [563]
250	1846 [415]
500	1465 [329]
1000	1163 [261]

## DTR115H



Speed rpm	Axial Load, $F_a$ N [lb <sub>f</sub> ]
50	5742 [1291]
100	4558 [1025]
250	3358 [755]
500	2665 [599]
1000	2115 [476]

## DTR142H



Speed rpm	Axial Load, $F_a$ N [lb <sub>f</sub> ]
50	11925 [2681]
100	9465 [2128]
250	6974 [1568]
500	5535 [1244]
1000	4393 [988]

Sold & Serviced By:



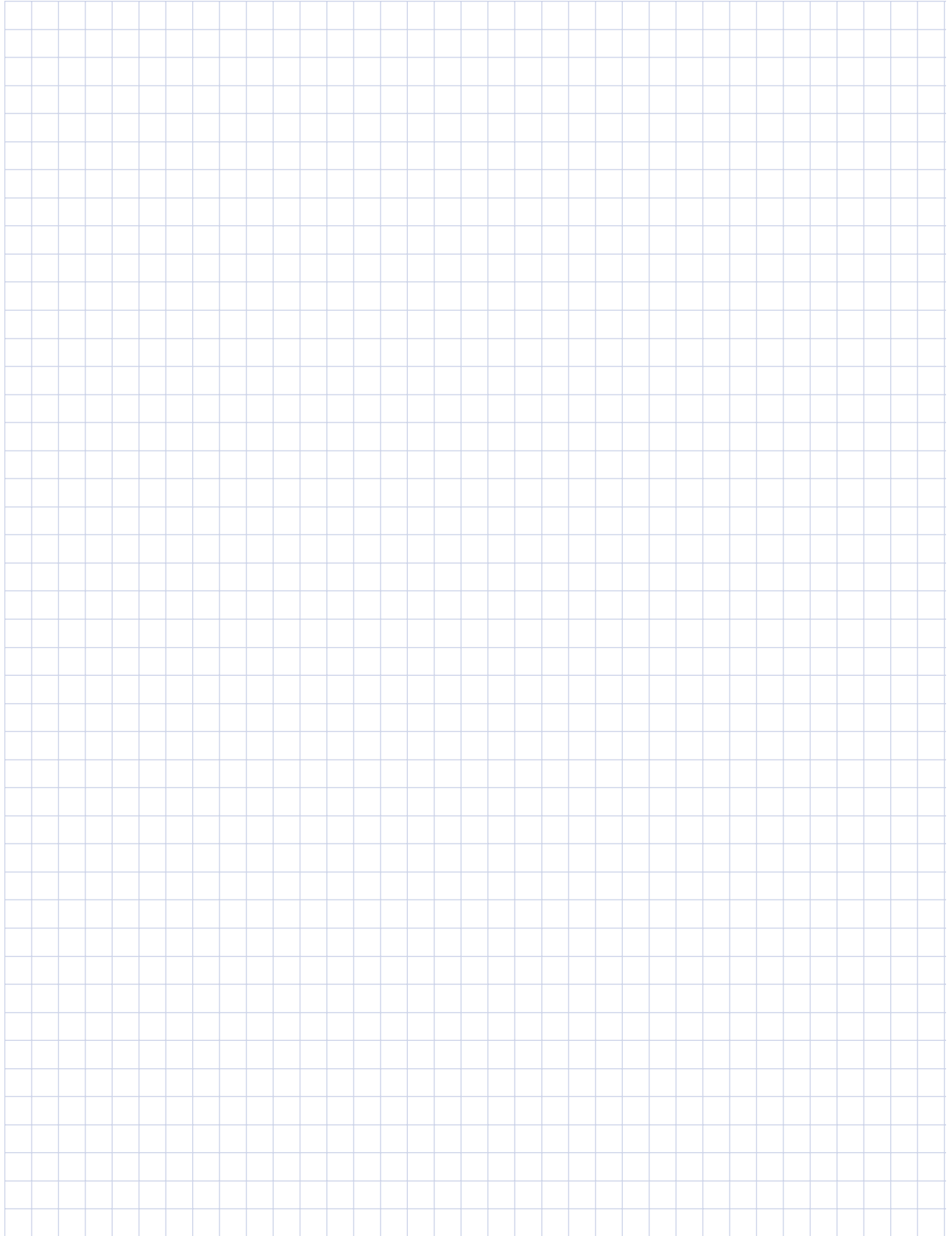
Toll Free Phone (877) SERV098

Toll Free Fax (877) SERV099

[www.electromate.com](http://www.electromate.com)

[sales@electromate.com](mailto:sales@electromate.com)

These graphs display the allowable radial load at a given distance (X) from the mounting surface based on an L<sub>10</sub> life of 10,000 hours for the mean output speed  $n_{mout}$ , as described on page 10.

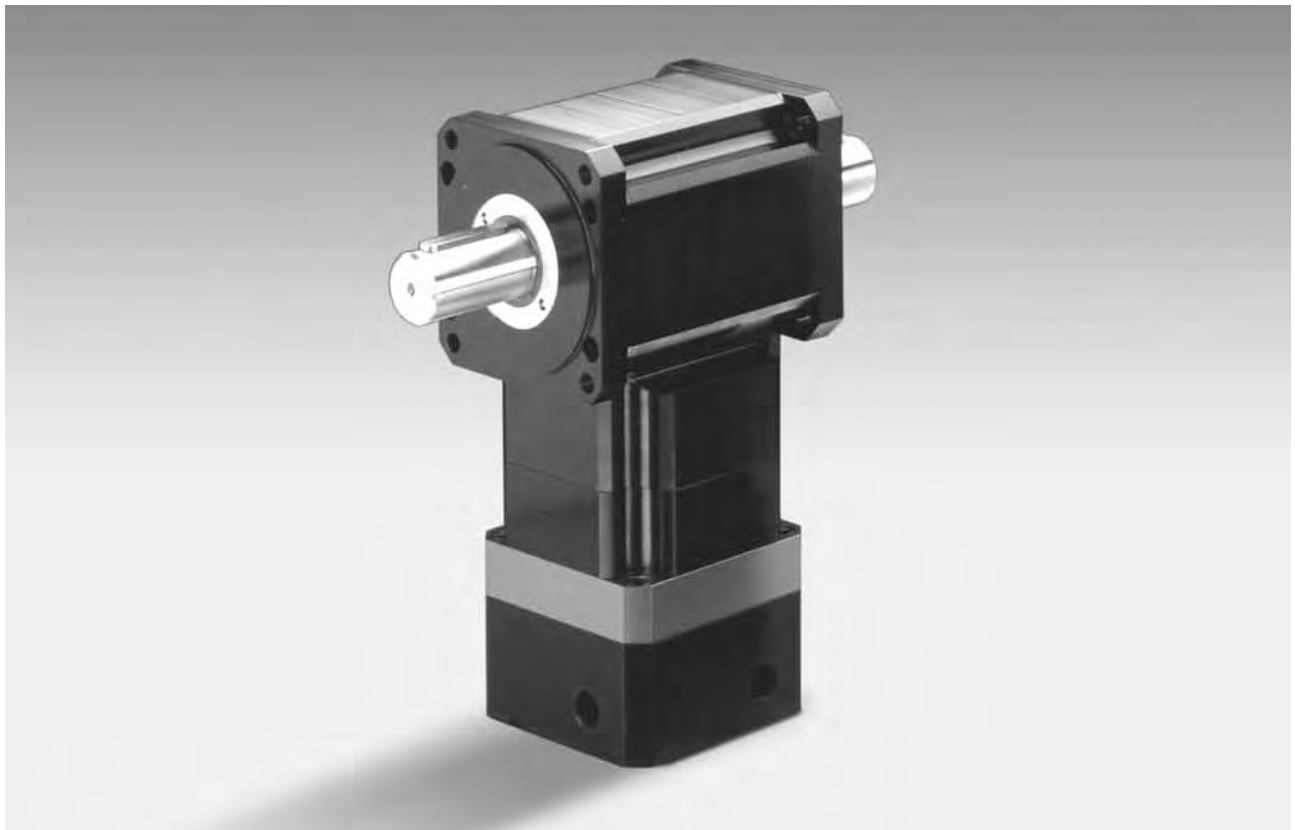


# DuraTRUE 90™ Dual Shaft

## Right Angle Gearheads

### Ready for Immediate Delivery

<b>Precision</b>	8 arc-minutes
<b>Frame Sizes</b>	60mm, 90mm, 115mm and 142mm
<b>Torque Capacity</b>	up to 865 Nm
<b>Ratio Availability</b>	1:1 thru 500:1
<b>Radial load capacity</b>	up to 11150 N
<b>Mounting System</b>	RediMount™



Sold & Serviced By:

 **ELECTROMATE**

Toll Free Phone (877) SERV098

Toll Free Fax (877) SERV099

[www.electromate.com](http://www.electromate.com)

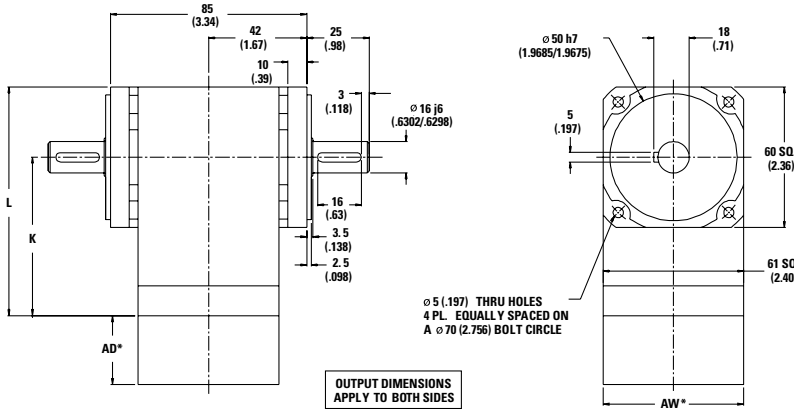
[sales@electromate.com](mailto:sales@electromate.com)



# DuraTRUE 90™ Size 60D (Dual Shaft)

## Right Angle Gearheads

Metric



Ratio <sup>1</sup>	Dimension 'K' mm [in]	Dimension 'L' mm [in]	Backlash [arc-min]	Weight kg [lb]	Efficiency
1:1 to 5:1P	80 [3.15]	110 [4.33]	8 max	2,3 [5]	98%
5:1T to 50:1	97 [3.83]	127 [5.01]	9 max	2,5 [5.5]	93%
60:1 to 500:1	115 [4.52]	145 [5.70]	9 max	2,7 [6]	88%

All dimensions are: mm (inch)  
 AW\* = Adapter width  
 AD\* = Adapter length  
 Both will vary depending on motor.  
 Efficiency is calculated at 100% of the rated torque.

## Performance Specifications

Part Number	Ratio <sup>1</sup>	10,000 Hour Life			T peak Nm [in-lb]	20,000 Hour Life			J kg-cm <sup>2</sup> [in-lb-sec <sup>2</sup> ×10 <sup>-4</sup> ]	Torsional Stiffness Nm/arc-min [in-lb/arc-min]
		T <sub>r</sub> (1000 rpm) Nm [in-lb]	T <sub>r</sub> (3000 rpm) Nm [in-lb]	T <sub>r</sub> (5000 rpm) Nm [in-lb]		T <sub>r</sub> (1000 rpm) Nm [in-lb]	T <sub>r</sub> (3000 rpm) Nm [in-lb]	T <sub>r</sub> (5000 rpm) Nm [in-lb]		
DTR60D-001	1:1	7 [66]	7 [60]	6 [54]	46 [407]	7 [61]	6 [56]	6 [50]	.79 [7.0]	1,8 [15.8]
DTR60D-002	2:1	16 [145]	15 [132]	14 [120]	46 [407]	15 [134]	14 [122]	12 [111]	.41 [3.6]	2,7 [23.8]
DTR60D-003	3:1	10 [92]	10 [84]	9 [76]	46 [407]	10 [85]	9 [78]	8 [70]	.35 [3.1]	3,0 [26.9]
DTR60D-004	4:1	8 [68]	7 [62]	6 [56]	46 [407]	7 [63]	6 [57]	6 [52]	.32 [2.9]	3,2 [28.2]
DTR60D-005P	5:1P	6 [56]	6 [51]	5 [46]	46 [407]	6 [52]	5 [47]	5 [43]	.32 [2.8]	3,3 [28.8]
DTR60D-005T	5:1T	23 [200]	18 [162]	16 [138]	46 [407]	21 [182]	15 [132]	13 [112]	.42 [3.7]	3,3 [28.8]
DTR60D-006	6:1	19 [171]	16 [145]	16 [141]	46 [407]	19 [167]	15 [134]	15 [130]	.41 [3.7]	2,1 [18.8]
DTR60D-009	9:1	12 [109]	10 [92]	10 [90]	46 [407]	12 [106]	10 [85]	9 [83]	.35 [3.1]	2,7 [23.7]
DTR60D-010	10:1	20 [176]	18 [160]	16 [145]	46 [407]	20 [174]	17 [154]	15 [134]	.39 [3.5]	2,1 [18.5]
DTR60D-012	12:1	9 [80]	8 [68]	7 [66]	46 [407]	9 [78]	7 [63]	7 [61]	.33 [3.0]	3,0 [26.1]
DTR60D-015	15:1	13 [112]	12 [102]	10 [92]	46 [407]	12 [110]	11 [98]	10 [85]	.33 [2.9]	3,1 [27.4]
DTR60D-020	20:1	9 [82]	8 [75]	8 [68]	46 [407]	9 [81]	8 [72]	7 [63]	.31 [2.8]	2,9 [26.0]
DTR60D-025	25:1	8 [68]	7 [62]	6 [56]	46 [407]	8 [67]	7 [59]	6 [52]	.31 [2.7]	3,1 [27.3]
DTR60D-030	30:1	13 [114]	12 [109]	12 [105]	46 [407]	13 [114]	12 [107]	11 [101]	.32 [2.8]	2,5 [22.4]
DTR60D-040	40:1	10 [84]	9 [81]	9 [77]	46 [407]	9 [84]	9 [79]	8 [74]	.30 [2.7]	2,8 [25.2]
DTR60D-050	50:1	8 [69]	7 [66]	7 [63]	46 [407]	8 [69]	7 [65]	7 [61]	.30 [2.6]	3,0 [26.8]
DTR60D-060	60:1	21 [182]	20 [180]	20 [177]	46 [407]	21 [182]	20 [178]	20 [175]	.42 [3.7]	2,0 [18.1]
DTR60D-075	75:1	13 [116]	13 [114]	13 [112]	46 [407]	13 [115]	13 [113]	12 [110]	.33 [3.0]	2,6 [23.4]
DTR60D-090	90:1	13 [116]	13 [114]	13 [113]	46 [407]	13 [116]	13 [114]	13 [111]	.35 [3.1]	2,6 [23.3]
DTR60D-100	100:1	21 [183]	20 [181]	20 [180]	46 [407]	21 [182]	20 [180]	20 [178]	.40 [3.5]	2,1 [18.3]
DTR60D-120	120:1	10 [85]	10 [84]	9 [83]	46 [407]	10 [85]	9 [84]	9 [82]	.33 [3.0]	2,9 [25.8]
DTR60D-125	125:1	8 [70]	8 [69]	8 [68]	46 [407]	8 [70]	8 [68]	8 [67]	.31 [2.8]	3,1 [27.3]
DTR60D-150	150:1	13 [116]	13 [115]	13 [114]	46 [407]	13 [116]	13 [115]	13 [114]	.33 [2.9]	2,6 [23.4]
DTR60D-200	200:1	21 [183]	21 [182]	21 [181]	46 [407]	21 [183]	21 [182]	20 [181]	.39 [3.4]	1,9 [17.0]
DTR60D-250	250:1	8 [70]	8 [70]	8 [69]	46 [407]	8 [70]	8 [69]	8 [69]	.31 [2.7]	3,1 [27.3]
DTR60D-300	300:1	13 [116]	13 [116]	13 [115]	46 [407]	13 [116]	13 [116]	13 [115]	.32 [2.8]	2,5 [22.4]
DTR60D-400	400:1	10 [86]	10 [85]	10 [85]	46 [407]	10 [86]	10 [85]	10 [85]	.31 [2.7]	2,8 [25.2]
DTR60D-500	500:1	8 [70]	8 [70]	8 [70]	46 [407]	8 [70]	8 [70]	8 [70]	.30 [2.7]	3,0 [26.8]

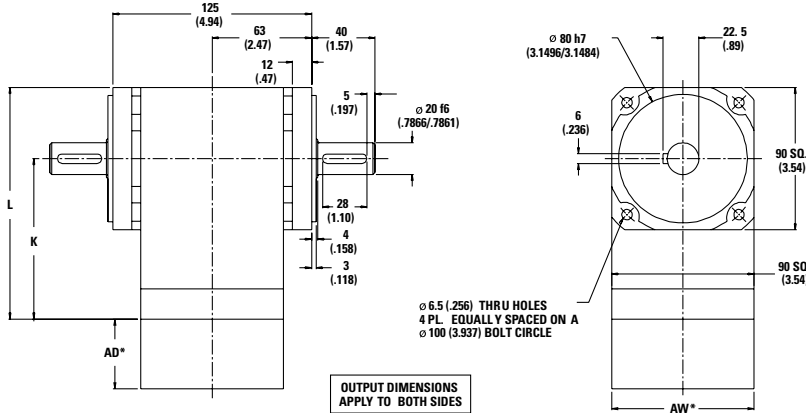
Ratio 5P is designed using only PowerTRUE face gearing technology.  
 Ratio 5T adds a True Planetary gearing stage for increased torque capacity.  
<sup>1</sup> Ratios are exact, higher ratios are also available, consult factory.

T<sub>r</sub> = Rated output torque at rated speed for specific hours of life.  
 J = Mass moment of inertia reflected to the input shaft (including pinion assembly)  
 T<sub>peak</sub> = Allowable momentary peak torque for emergency stop or heavy shock loading.

# DuraTRUE 90™ Size 90D (Dual Shaft)

## Right Angle Gearheads

Metric



Ratio <sup>1</sup>	Dimension 'K' mm [in]	Dimension 'L' mm [in]	Backlash [arc-min]	Weight kg [lb]	Efficiency
1:1 to 5:1P	101 [3.99]	146 [5.76]	8 max	4,1 [9]	98%
5:1T to 50:1	124 [4.89]	169 [6.66]	9 max	4,8 [10]	93%
60:1 to 500:1	147 [5.79]	192 [7.56]	9 max	5,5 [12]	88%

All dimensions are: mm (inch)  
 AW\* = Adapter width  
 AD\* = Adapter length  
 Both will vary depending on motor.  
 Efficiency is calculated at 100% of the rated torque.

## Performance Specifications

Part Number	Ratio <sup>1</sup>	10,000 Hour Life			T peak Nm [in-lb]	20,000 Hour Life			J kg-cm <sup>2</sup> [in-lb-sec <sup>2</sup> ×10 <sup>-4</sup> ]	Torsional Stiffness Nm/arc-min [in-lb/arc-min]
		T <sub>r</sub> (1000 rpm) Nm [in-lb]	T <sub>r</sub> (3000 rpm) Nm [in-lb]	T <sub>r</sub> (5000 rpm) Nm [in-lb]		T <sub>r</sub> (1000 rpm) Nm [in-lb]	T <sub>r</sub> (3000 rpm) Nm [in-lb]	T <sub>r</sub> (5000 rpm) Nm [in-lb]		
DTR90D-001	1:1	21 [188]	19 [171]	17 [155]	140 [1237]	20 [173]	18 [158]	16 [143]	3,11 [27.5]	4,3 [37.9]
DTR90D-002	2:1	48 [426]	44 [389]	40 [352]	140 [1237]	44 [394]	41 [359]	37 [325]	1,59 [14.1]	6,5 [57.2]
DTR90D-003	3:1	32 [281]	29 [256]	26 [232]	140 [1237]	29 [260]	27 [237]	24 [214]	1,37 [12.1]	7,3 [64.6]
DTR90D-004	4:1	24 [215]	22 [196]	20 [177]	140 [1237]	22 [199]	20 [181]	19 [164]	1,27 [11.2]	7,6 [67.7]
DTR90D-005P	5:1P	18 [158]	16 [144]	15 [131]	140 [1237]	17 [146]	15 [133]	14 [121]	1,25 [11.0]	7,8 [69.2]
DTR90D-005T	5:1T	64 [568]	55 [483]	53 [469]	140 [1237]	63 [556]	50 [446]	49 [433]	1,64 [14.5]	5,1 [45.1]
DTR90D-006	6:1	57 [501]	48 [426]	47 [414]	140 [1237]	55 [490]	44 [394]	43 [382]	1,63 [14.4]	5,1 [45.1]
DTR90D-009	9:1	37 [331]	32 [281]	31 [273]	140 [1237]	37 [323]	29 [260]	28 [252]	1,37 [12.1]	6,4 [56.9]
DTR90D-010	10:1	58 [516]	53 [471]	48 [426]	140 [1237]	58 [510]	51 [452]	44 [394]	1,54 [13.7]	5,0 [44.5]
DTR90D-012	12:1	29 [253]	24 [215]	24 [209]	140 [1237]	28 [247]	22 [199]	22 [193]	1,31 [11.6]	7,1 [62.7]
DTR90D-015	15:1	38 [340]	35 [311]	32 [281]	140 [1237]	38 [336]	34 [298]	29 [260]	1,28 [11.3]	7,4 [65.8]
DTR90D-020	20:1	29 [261]	27 [238]	24 [215]	140 [1237]	29 [257]	26 [228]	22 [199]	1,22 [10.8]	7,1 [62.4]
DTR90D-025	25:1	22 [192]	20 [175]	18 [158]	140 [1237]	21 [189]	19 [168]	17 [146]	1,20 [10.6]	7,4 [65.6]
DTR90D-030	30:1	39 [348]	38 [333]	36 [318]	140 [1237]	39 [346]	37 [327]	35 [307]	1,25 [11.1]	6,1 [53.8]
DTR90D-040	40:1	30 [266]	29 [255]	28 [243]	140 [1237]	30 [265]	28 [250]	27 [235]	1,19 [10.6]	6,8 [60.5]
DTR90D-050	50:1	22 [196]	21 [188]	20 [179]	140 [1237]	22 [195]	21 [184]	20 [173]	1,17 [10.4]	7,3 [64.2]
DTR90D-060	60:1	60 [535]	60 [527]	59 [520]	140 [1237]	60 [534]	59 [524]	58 [514]	1,63 [14.4]	4,9 [43.5]
DTR90D-075	75:1	40 [352]	39 [346]	38 [340]	140 [1237]	40 [351]	39 [344]	38 [336]	1,31 [11.6]	6,4 [56.2]
DTR90D-090	90:1	40 [353]	39 [348]	39 [343]	140 [1237]	40 [352]	39 [346]	38 [339]	1,37 [12.1]	6,3 [55.8]
DTR90D-100	100:1	61 [536]	60 [532]	60 [527]	140 [1237]	61 [536]	60 [530]	59 [524]	1,55 [13.7]	5,0 [43.9]
DTR90D-120	120:1	31 [270]	30 [266]	30 [262]	140 [1237]	30 [269]	30 [265]	29 [260]	1,31 [11.6]	7,0 [62.0]
DTR90D-125	125:1	22 [198]	22 [195]	22 [192]	140 [1237]	22 [198]	22 [194]	21 [189]	1,23 [10.8]	7,4 [65.5]
DTR90D-150	150:1	40 [354]	40 [351]	39 [348]	140 [1237]	40 [353]	39 [350]	39 [346]	1,29 [11.4]	6,3 [56.1]
DTR90D-200	200:1	61 [538]	60 [535]	60 [533]	140 [1237]	61 [537]	60 [534]	60 [531]	1,52 [13.5]	4,6 [40.7]
DTR90D-250	250:1	23 [199]	22 [198]	22 [196]	140 [1237]	22 [199]	22 [197]	22 [195]	1,21 [10.7]	7,4 [65.4]
DTR90D-300	300:1	40 [355]	40 [353]	40 [352]	140 [1237]	40 [354]	40 [352]	40 [350]	1,26 [11.1]	6,1 [53.7]
DTR90D-400	400:1	31 [271]	31 [270]	30 [269]	140 [1237]	31 [271]	30 [270]	30 [268]	1,20 [10.6]	6,8 [60.5]
DTR90D-500	500:1	23 [200]	22 [199]	22 [198]	140 [1237]	23 [200]	22 [198]	22 [197]	1,18 [10.4]	7,3 [64.2]

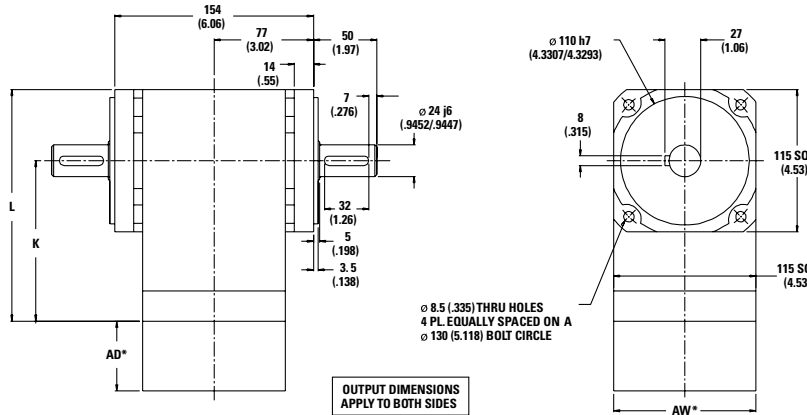
Ratio 5P is designed using only PowerTRUE face gearing technology.  
 Ratio 5T adds a True Planetary gearing stage for increased torque capacity.  
<sup>1</sup> Ratios are exact, higher ratios are also available, consult factory.

T<sub>r</sub> = Rated output torque at rated speed for specific hours of life.  
 J = Mass moment of inertia reflected to the input shaft (including pinion assembly)  
 T<sub>peak</sub> = Allowable momentary peak torque for emergency stop or heavy shock loading.

# DuraTRUE 90™ Size 115D (Dual Shaft)

## Right Angle Gearheads

Metric



Ratio <sup>1</sup>	Dimension 'K' mm [in]	Dimension 'L' mm [in]	Backlash [arc-min]	Weight kg [lb]	Efficiency
1:1 to 5:1P	137 (5.41)	195 (7.76)	8 max	9 [20]	98%
5:1T to 50:1	169 (6.64)	226 (8.90)	9 max	11 [24]	93%
60:1 to 500:1	200 (7.87)	257 (10.13)	9 max	12 [27]	88%

All dimensions are: mm (inch)  
 AW\* = Adapter width  
 AD\* = Adapter length  
 Both will vary depending on motor.  
 Efficiency is calculated at 100% of the rated torque.

## Performance Specifications

Part Number	Ratio <sup>1</sup>	10,000 Hour Life			T peak Nm [in-lb]	20,000 Hour Life			J kg-cm <sup>2</sup> [in-lb-sec <sup>2</sup> x10 <sup>-4</sup> ]	Torsional Stiffness [arc-min/Nm]
		T <sub>r</sub> (1000 rpm) Nm [in-lb]	T <sub>r</sub> (3000 rpm) Nm [in-lb]	T <sub>r</sub> (5000 rpm) Nm [in-lb]		T <sub>r</sub> (1000 rpm) Nm [in-lb]	T <sub>r</sub> (3000 rpm) Nm [in-lb]	T <sub>r</sub> (5000 rpm) Nm [in-lb]		
DTR115D-001	1:1	63 [554]	57 [506]	52 [457]	283 [2505]	58 [512]	53 [467]	48 [422]	5,28 [46.7]	7,6 [67.6]
DTR115D-002	2:1	112 [989]	102 [903]	92 [816]	283 [2505]	103 [913]	94 [834]	85 [754]	2,71 [23.9]	12,5 [111]
DTR115D-003	3:1	87 [768]	79 [701]	72 [634]	283 [2505]	80 [709]	73 [647]	66 [585]	2,33 [20.6]	14,2 [126]
DTR115D-004	4:1	58 [511]	53 [467]	48 [422]	283 [2505]	53 [472]	49 [431]	44 [390]	2,16 [19.1]	14,9 [132]
DTR115D-005P	5:1P	43 [384]	40 [350]	36 [316]	283 [2505]	40 [354]	37 [323]	33 [292]	2,12 [18.8]	15,3 [135]
DTR115D-005T	5:1T	170 [1505]	126 [1117]	108 [958]	283 [2505]	143 [1262]	102 [907]	88 [778]	2,78 [24.6]	15,3 [135]
DTR115D-006	6:1	131 [1163]	112 [989]	109 [960]	283 [2505]	129 [1138]	103 [913]	100 [887]	2,77 [24.5]	10,2 [90.7]
DTR115D-009	9:1	102 [903]	87 [768]	84 [746]	283 [2505]	100 [884]	80 [709]	78 [689]	2,32 [20.5]	12,8 [113]
DTR115D-010	10:1	135 [1198]	124 [1094]	112 [989]	283 [2505]	134 [1183]	118 [1048]	103 [913]	2,63 [23.2]	10,2 [90.3]
DTR115D-012	12:1	68 [601]	58 [511]	56 [496]	283 [2505]	66 [588]	53 [472]	52 [458]	2,22 [19.6]	14,0 [124]
DTR115D-015	15:1	105 [930]	96 [849]	87 [768]	283 [2505]	104 [919]	92 [814]	80 [709]	2,18 [19.3]	14,6 [130]
DTR115D-020	20:1	70 [619]	64 [565]	58 [511]	283 [2505]	69 [612]	61 [542]	53 [472]	2,08 [18.4]	14,0 [124]
DTR115D-025	25:1	52 [465]	48 [424]	43 [384]	283 [2505]	52 [459]	46 [406]	40 [354]	2,04 [18.0]	14,6 [129]
DTR115D-030	30:1	107 [951]	103 [910]	98 [869]	283 [2505]	107 [945]	101 [892]	95 [840]	2,13 [18.9]	12,5 [111]
DTR115D-040	40:1	72 [633]	68 [606]	65 [579]	283 [2505]	71 [629]	67 [594]	63 [559]	2,03 [18.0]	13,8 [122]
DTR115D-050	50:1	54 [475]	51 [454]	49 [434]	283 [2505]	53 [472]	50 [446]	47 [419]	1,99 [17.6]	14,5 [128]
DTR115D-060	60:1	140 [1242]	138 [1224]	136 [1207]	283 [2505]	140 [1239]	137 [1217]	135 [1194]	2,78 [24.6]	10,0 [88.5]
DTR115D-075	75:1	109 [963]	107 [947]	105 [930]	283 [2505]	109 [960]	106 [939]	104 [919]	[2,22 19.7]	12,7 [112]
DTR115D-090	90:1	109 [964]	107 [951]	106 [937]	283 [2505]	109 [962]	107 [945]	105 [927]	2,33 [20.6]	12,6 [112]
DTR115D-100	100:1	141 [1245]	140 [1235]	138 [1224]	283 [2505]	141 [1244]	139 [1230]	137 [1217]	2,64 [23.3]	10,1 [89.5]
DTR115D-120	120:1	73 [642]	72 [633]	70 [624]	283 [2505]	72 [641]	71 [629]	70 [617]	2,23 [19.7]	13,9 [123]
DTR115D-125	125:1	54 [481]	53 [473]	52 [465]	283 [2505]	54 [480]	53 [469]	52 [459]	2,08 [18.4]	14,6 [129]
DTR115D-150	150:1	109 [967]	108 [959]	107 [951]	283 [2505]	109 [966]	108 [955]	107 [945]	2,19 [19.4]	12,7 [112]
DTR115D-200	200:1	141 [1248]	140 [1243]	140 [1237]	283 [2505]	141 [1247]	140 [1240]	139 [1234]	2,59 [22.9]	9,8 [87.1]
DTR115D-250	250:1	55 [483]	54 [479]	54 [475]	283 [2505]	54 [482]	54 [477]	53 [472]	2,05 [18.1]	14,6 [129]
DTR115D-300	300:1	109 [969]	109 [965]	109 [961]	283 [2505]	109 [968]	109 [963]	108 [958]	2,14 [18.9]	12,5 [111]
DTR115D-400	400:1	73 [645]	73 [642]	73 [640]	283 [2505]	73 [645]	72 [641]	72 [638]	2,04 [18.1]	13,8 [122]
DTR115D-500	500:1	55 [484]	54 [482]	54 [480]	283 [2505]	55 [483]	54 [481]	54 [478]	2,00 [17.7]	14,5 [128]

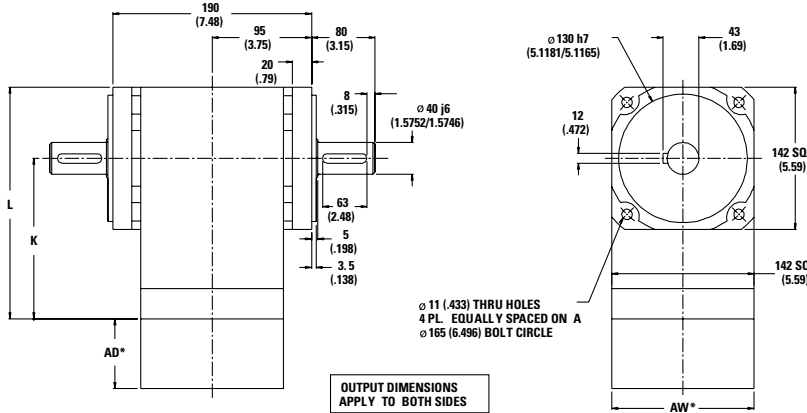
Ratio 5P is designed using only PowerTRUE face gearing technology.  
 Ratio 5T adds a True Planetary gearing stage for increased torque capacity.  
<sup>1</sup> Ratios are exact, higher ratios are also available, consult factory.

T<sub>r</sub> = Rated output torque at rated speed for specific hours of life.  
 J = Mass moment of inertia reflected to the input shaft (including pinion assembly)  
 T<sub>peak</sub> = Allowable momentary peak torque for emergency stop or heavy shock loading.

# DuraTRUE 90™ Size 142D (Dual Shaft)

## Right Angle Gearheads

Metric



Ratio <sup>1</sup>	Dimension 'K' mm [in]	Dimension 'L' mm [in]	Backlash [arc-min]	Weight kg [lb]	Efficiency
1:1 to 5:1P	163 [6.43]	234 [9.22]	8 max	19 [43]	98%
5:1T to 50:1	233 [9.17]	304 [11.96]	9 max	24 [53]	93%
60:1 to 500:1	262 [10.3]	332 [13.10]	9 max	28 [62]	88%

All dimensions are: mm (inch)  
 AW\* = Adapter width  
 AD\* = Adapter length  
 Both will vary depending on motor.  
 Efficiency is calculated at 100% of the rated torque.

## Performance Specifications

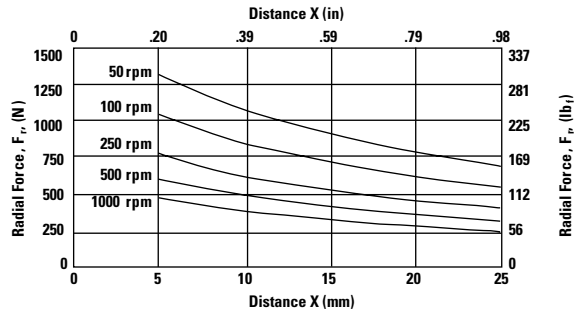
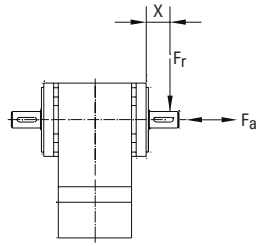
Part Number	Ratio <sup>1</sup>	10,000 Hour Life			T peak Nm [in-lb]	20,000 Hour Life			J kg-cm <sup>2</sup> [in-lb-sec <sup>2</sup> ×10 <sup>-4</sup> ]	Torsional Stiffness Nm/arc-min [in-lb/arc-min]
		T <sub>r</sub> (1000 rpm) Nm [in-lb]	T <sub>r</sub> (3000 rpm) Nm [in-lb]	T <sub>r</sub> (5000 rpm) Nm [in-lb]		T <sub>r</sub> (1000 rpm) Nm [in-lb]	T <sub>r</sub> (3000 rpm) Nm [in-lb]	T <sub>r</sub> (5000 rpm) Nm [in-lb]		
DTR142D-001	1:1	135 [1194]	123 [1090]	111 [985]	865 [7659]	125 [1103]	114 [1006]	103 [910]	26,3 [232]	23,7 [210]
DTR142D-002	2:1	279 [2474]	255 [2257]	231 [2041]	865 [7659]	258 [2284]	236 [2084]	213 [1885]	13,5 [119]	38,9 [344]
DTR142D-003	3:1	188 [1663]	171 [1518]	155 [1372]	865 [7659]	174 [1536]	158 [1401]	143 [1267]	11,6 [102]	44,1 [390]
DTR142D-004	4:1	135 [1194]	123 [1090]	111 [985]	865 [7659]	125 [1103]	114 [1006]	103 [910]	10,8 [95.1]	46,3 [410]
DTR142D-005P	5:1P	101 [896]	92 [818]	84 [739]	865 [7659]	93 [827]	85 [755]	77 [683]	10,6 [93.3]	47,4 [419]
DTR142D-005T	5:1T	340 [3009]	289 [2559]	281 [2484]	865 [7659]	333 [2944]	267 [2363]	259 [2294]	13,8 [122]	47,4 [419]
DTR142D-006	6:1	329 [2909]	279 [2474]	271 [2402]	865 [7659]	322 [2846]	258 [2284]	251 [2218]	13,8 [122]	31,8 [281]
DTR142D-009	9:1	221 [1956]	188 [1663]	182 [1614]	865 [7659]	216 [1913]	174 [1536]	168 [1491]	11,6 [102]	39,6 [351]
DTR142D-010	10:1	339 [2996]	309 [2735]	279 [2474]	865 [7659]	334 [2958]	296 [2621]	258 [2284]	13,1 [116]	31,6 [280]
DTR142D-012	12:1	159 [1404]	135 [1194]	131 [1159]	865 [7659]	155 [1374]	125 [1103]	121 [1071]	11,1 [97.7]	43,4 [384]
DTR142D-015	15:1	228 [2014]	208 [1839]	188 [1663]	865 [7659]	225 [1989]	199 [1762]	174 [1536]	10,9 [95.9]	45,4 [402]
DTR142D-020	20:1	163 [1446]	149 [1320]	135 [1194]	865 [7659]	161 [1428]	143 [1265]	125 [1103]	10,4 [91.5]	43,3 [383]
DTR142D-025	25:1	123 [1085]	112 [991]	101 [896]	865 [7659]	121 [1071]	107 [949]	93 [827]	10,2 [89.8]	45,3 [401]
DTR142D-030	30:1	233 [2058]	223 [1970]	213 [1882]	865 [7659]	231 [2045]	218 [1932]	205 [1819]	10,6 [93.8]	38,8 [343]
DTR142D-040	40:1	167 [1478]	160 [1415]	153 [1352]	865 [7659]	166 [1469]	157 [1387]	148 [1306]	10,1 [89.4]	42,8 [379]
DTR142D-050	50:1	125 [1109]	120 [1061]	115 [1014]	865 [7659]	125 [1102]	118 [1041]	111 [980]	9,9 [87.6]	45,0 [398]
DTR142D-060	60:1	351 [3105]	346 [3061]	341 [3018]	865 [7659]	350 [3099]	344 [3042]	337 [2986]	13,8 [122]	31,0 [274]
DTR142D-075	75:1	236 [2084]	232 [2049]	228 [2014]	865 [7659]	235 [2079]	230 [2034]	225 [1989]	11,1 [97.9]	39,4 [348]
DTR142D-090	90:1	236 [2087]	233 [2058]	229 [2029]	865 [7659]	235 [2083]	231 [2045]	227 [2008]	11,6 [103]	39,1 [346]
DTR142D-100	100:1	352 [3114]	349 [3088]	346 [3061]	865 [7659]	351 [3110]	348 [3076]	344 [3042]	13,1 [116]	31,3 [278]
DTR142D-120	120:1	169 [1499]	167 [1478]	165 [1457]	865 [7659]	169 [1496]	166 [1469]	163 [1442]	11,1 [98.2]	43,0 [380]
DTR142D-125	125:1	127 [1123]	125 [1104]	123 [1085]	865 [7659]	127 [1120]	124 [1096]	121 [1071]	10,4 [91.7]	45,3 [401]
DTR142D-150	150:1	237 [2093]	235 [2076]	233 [2058]	865 [7659]	236 [2091]	234 [2068]	231 [2045]	10,9 [96.4]	39,3 [348]
DTR142D-200	200:1	353 [3120]	351 [3107]	350 [3094]	865 [7659]	352 [3118]	350 [3101]	349 [3085]	12,9 [114]	30,5 [270]
DTR142D-250	250:1	127 [1128]	126 [1118]	125 [1109]	865 [7659]	127 [1126]	126 [1114]	125 [1102]	10,2 [90.3]	45,2 [400]
DTR142D-300	300:1	237 [2098]	236 [2089]	235 [2080]	865 [7659]	237 [2096]	236 [2085]	234 [2074]	10,7 [94.3]	38,8 [343]
DTR142D-400	400:1	170 [1506]	169 [1500]	169 [1494]	865 [7659]	170 [1505]	169 [1497]	168 [1489]	10,2 [89.8]	42,8 [379]
DTR142D-500	500:1	128 [1130]	127 [1125]	127 [1121]	865 [7659]	128 [1129]	127 [1123]	126 [1117]	9,96 [88.1]	45,0 [398]

Ratio 5P is designed using only PowerTRUE face gearing technology.  
 Ratio 5T adds a True Planetary gearing stage for increased torque capacity.  
<sup>1</sup> Ratios are exact, higher ratios are also available, consult factory.

T<sub>r</sub> = Rated output torque at rated speed for specific hours of life.  
 J = Mass moment of inertia reflected to the input shaft (including pinion assembly)  
 T<sub>peak</sub> = Allowable momentary peak torque for emergency stop or heavy shock loading.

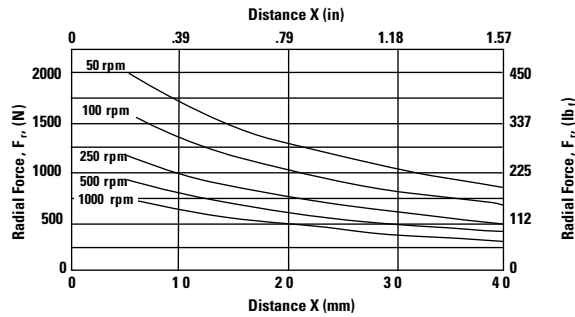
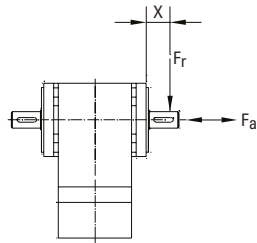
# Radial and Axial Load Ratings

## DTR60D



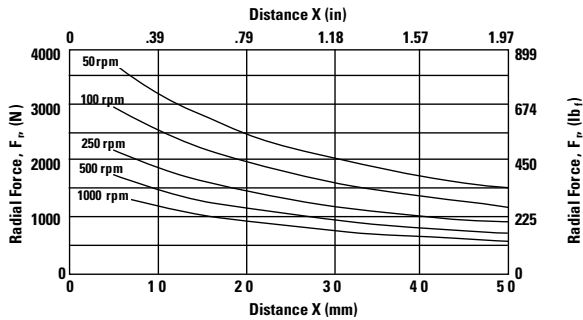
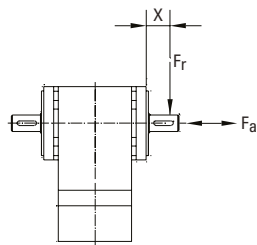
Speed rpm	Axial Load, $F_a$ N [lb <sub>f</sub> ]
50	2155 [484]
100	1710 [384]
250	1260 [283]
500	1000 [225]
1000	794 [178]

## DTR90D



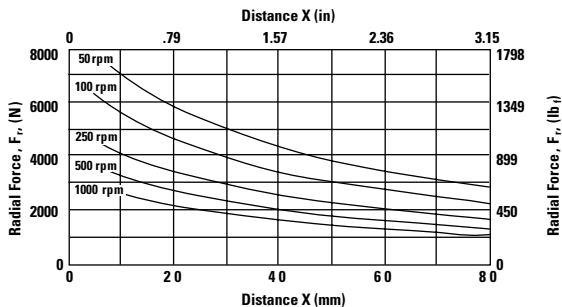
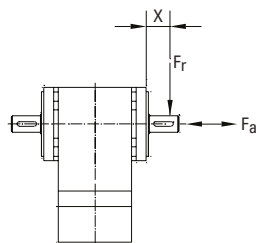
Speed rpm	Axial Load, $F_a$ N [lb <sub>f</sub> ]
50	3157 [710]
100	2506 [563]
250	1846 [415]
500	1465 [329]
1000	1163 [261]

## DTR115D



Speed rpm	Axial Load, $F_a$ N [lb <sub>f</sub> ]
50	5742 [1291]
100	4558 [1025]
250	3358 [755]
500	2665 [599]
1000	2115 [476]

## DTR142D



Speed rpm	Axial Load, $F_a$ N [lb <sub>f</sub> ]
50	11925 [2681]
100	9465 [2128]
250	6974 [1568]
500	5535 [1244]
1000	4393 [988]

These graphs display the allowable radial load at a given distance (X) from the mounting surface based on an  $L_{10}$  life of 10,000 hours for the mean output speed  $n_{\text{mount}}$ , as described on page 10.

# ValueTRUE™

## True Planetary Gearheads

### Ready for Immediate Delivery

<b>Precision</b>	4 arc-minutes
<b>Frame Sizes</b>	60mm, 75mm, 90mm, 100mm, 115mm, 140mm, 180mm and 220mm
<b>Torque Capacity</b>	up to 2970 Nm
<b>Ratio Availability</b>	4:1 thru 100:1
<b>Mounting System</b>	RediMount™

Both in-line and right angles available

- ValueTRUE is a new high performance price competitive Gearhead line of Micron True Planetary Gearheads
- Low Cost– 30% less than typical market pricing
- Helical Crowned True Planetary Gearing improved load capacity, lower backlash and smoother & quieter operation compared to non-helical gearheads
- Ultra Precision – 4 arc-mins of backlash
- Drop-In, low cost replacement for most common helical gearheads
- Stainless Steel Output Housing provides rock solid durability, suitable for environmentally sensitive applications



Sold & Serviced By:

 **ELECTROMATE**

Toll Free Phone (877) SERV098

Toll Free Fax (877) SERV099

[www.electromate.com](http://www.electromate.com)

[sales@electromate.com](mailto:sales@electromate.com)

# ValueTRUE™

## Helical True Planetary™ Gearheads

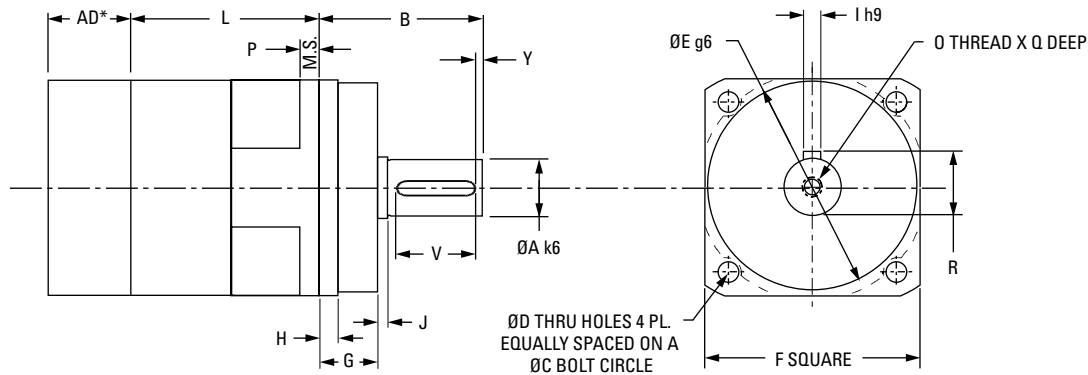
Part Number	Stages	Backlash (arc-min)	Efficiency	Weight kg [lbs]	Ratio Availability
VT006	1	4	95%	2 [4.4]	4:1, 5:1, 7:1, 10:1
	2	5	90%	2.5 [5.5]	16:1, 20:1, 25:1, 28:1, 35:1, 40:1, 50:1, 70:1, 100:1
VT075	1	4	95%	2.5 [5.5]	4:1, 5:1, 7:1, 10:1
	2	5	90%	3.0 [6.6]	16:1, 20:1, 25:1, 28:1, 35:1, 40:1, 50:1, 70:1, 100:1
VT090	1	4	95%	2.5 [5.5]	4:1, 5:1, 7:1, 10:1
	2	5	90%	3.0 [6.6]	16:1, 20:1, 25:1, 28:1, 35:1, 40:1, 50:1, 70:1, 100:1
VT010	1	4	95%	6 [13]	4:1, 5:1, 7:1, 10:1
	2	5	90%	8 [18]	16:1, 20:1, 25:1, 28:1, 35:1, 40:1, 50:1, 70:1, 100:1
VT115	1	4	95%	6 [13]	4:1, 5:1, 7:1, 10:1
	2	5	90%	8 [18]	16:1, 20:1, 25:1, 28:1, 35:1, 40:1, 50:1, 70:1, 100:1
VT014	1	4	95%	14 [31]	4:1, 5:1, 7:1, 10:1
	2	5	90%	18 [40]	16:1, 20:1, 25:1, 28:1, 35:1, 40:1, 50:1, 70:1, 100:1
VT018	1	4	95%	40 [88]	4:1, 5:1, 7:1, 10:1
	2	5	90%	45 [99]	16:1, 20:1, 25:1, 28:1, 35:1, 40:1, 50:1, 70:1, 100:1
VT022	1	4	95%	74 [162]	4:1, 5:1, 7:1, 10:1
	2	5	90%	95 [209]	16:1, 20:1, 25:1, 28:1, 35:1, 40:1, 50:1, 70:1, 100:1
VTR006	1	5	93%	3 [6.6]	8:1, 10:1, 12:1, 14:1, 15:1, 16:1, 20:1, 25:1, 28:1, 30:1, 35:1, 40:1, 50:1
VTR075	1	5	93%	5.3 [11.1]	8:1, 10:1, 12:1, 14:1, 15:1, 16:1, 20:1, 25:1, 28:1, 30:1, 35:1, 40:1, 50:1
VTR090	1	5	93%	5.3 [11.1]	8:1, 10:1, 12:1, 14:1, 15:1, 16:1, 20:1, 25:1, 28:1, 30:1, 35:1, 40:1, 50:1
VTR010	1	5	93%	12 [26.2]	4:1, 5:1, 8:1, 10:1, 12:1, 14:1, 15:1, 16:1, 20:1, 25:1, 28:1, 30:1, 35:1, 40:1, 50:1
VTR115	1	5	93%	12 [26.2]	4:1, 5:1, 8:1, 10:1, 12:1, 14:1, 15:1, 16:1, 20:1, 25:1, 28:1, 30:1, 35:1, 40:1, 50:1
VTR014	1	5	93%	29 [64]	4:1, 5:1, 8:1, 10:1, 12:1, 14:1, 15:1, 16:1, 20:1, 25:1, 28:1, 30:1, 35:1, 40:1, 50:1
VTR018	1	5	93%	48 [106]	4:1, 5:1, 8:1, 10:1, 12:1, 14:1, 15:1, 16:1, 20:1, 25:1, 28:1, 30:1, 35:1, 40:1, 50:1

All ratios in frame size 60, 75, 100 and 140 are available to ship in 24 hours through the Gearhead Express Program.

- \* Efficiency measured at 100% rated torque
- \* Backlash is maximum for the life of the gearhead
- \* For other ratios, please contact factory

# ValueTRUE™

## Helical True Planetary™ Gearheads



### Inline Dimensions

Part Number	F Flange Square mm [in]	A Output Shaft Diameter mm [in]	B Output Shaft Length mm [in]	Y Shaft End Distance mm [in]	V Keyway Length mm [in]	R Keyway Height mm [in]	I Key Square mm [in]	J Shoulder Length mm [in]	E Pilot Diameter mm [in]
VT006	61 [2.40]	16 [0.63]	48 [1.89]	1 [0.04]	25 [0.98]	18 [0.71]	5 [0.20]	1 [0.04]	60 [2.36]
VT075	75 [2.95]	22 [0.86]	56 [2.20]	1,5 [0.06]	32 [1.26]	24,5 [0.97]	6 [0.24]	1 [0.04]	70 [2.75]
VT090	90 [3.54]	22 [0.86]	48 [1.89]	1,5 [0.06]	32 [1.26]	24,5 [0.97]	6 [0.24]	1 [0.04]	80 [1.48]
VT010	101 [3.98]	32 [1.26]	88 [3.46]	3 [0.12]	50 [1.97]	35 [1.38]	10 [0.39]	2 [0.08]	90 [3.54]
VT115*	115 [4.53]	32 [1.26]	72 [2.83]	3 [0.12]	50 [1.97]	35 [1.38]	10 [0.39]	2 [0.08]	110 [4.33]
VT014	141 [5.55]	40 [1.57]	112 [4.41]	5 [0.20]	70 [2.76]	43 [1.69]	12 [0.47]	3 [0.12]	130 [5.11]
VT018	182 [7.17]	55 [2.17]	112 [4.41]	6 [0.24]	70 [2.76]	59 [2.32]	16 [0.63]	3 [0.12]	180 [6.29]
VT022	220 [8.66]	75 [2.95]	143 [5.63]	7 [0.28]	90 [3.54]	79,5 [0.71]	20 [0.78]	3 [0.12]	180 [6.29]

### Inline Dimensions (continued)

Part Number	G Pilot Length mm [in]	P Flange Thickness mm [in]	H Effective Pilot Length mm [in]	L Length mm [in]		C Bolt Circle mm [in]	D Bolt Hole mm [in]	O Output Shaft Thread mm [in]	Q Thread Depth mm [in]
				4:1 - 10:1	16:1 - 100:1				
VT006	18 [0.71]	7 [0.28]	7 [0.28]	57 [2.24]	105,4 [4.15]	68 [2.68]	5,6 [0.22]	M5	19 [0.75]
VT075	20 [0.79]	8 [0.31]	7 [0.28]	60 [2.36]	117 [4.60]	85 [3.35]	7 [0.28]	M8	19 [0.75]
VT090	12 [0.47]	10 [0.39]	12 [0.47]	68 [2.67]	125 [4.92]	100 [3.94]	6,6 [0.26]	M8	19 [0.75]
VT010	28 [1.10]	10 [0.39]	12 [0.47]	78 [3.07]	146 [5.74]	120 [4.72]	9 [0.35]	M12	20 [0.80]
VT115*	12 [0.47]	12 [0.47]	12 [0.47]	94 [3.70]	162 [6.37]	130 [5.118]	9 [0.35]	M12	20 [0.80]
VT014	27 [1.06]	13 [0.51]	14 [0.55]	110,5 [4.35]	195 [7.67]	165 [6.50]	11 [0.43]	M12	20 [0.80]
VT018	27 [1.06]	15 [0.59]	13 [0.51]	136 [5.35]	244 [9.60]	215 [8.46]	13,5 [0.53]	M20	42 [1.65]
VT022	35 [1.38]	17 [0.67]	18 [0.71]	131 [5.15]	232 [9.13]	250 [9.84]	17 [0.67]	M20	42 [1.65]

All ratios in frame size 60, 75, 100 and 140 are available to ship in 24 hours through the Gearhead Express Program.

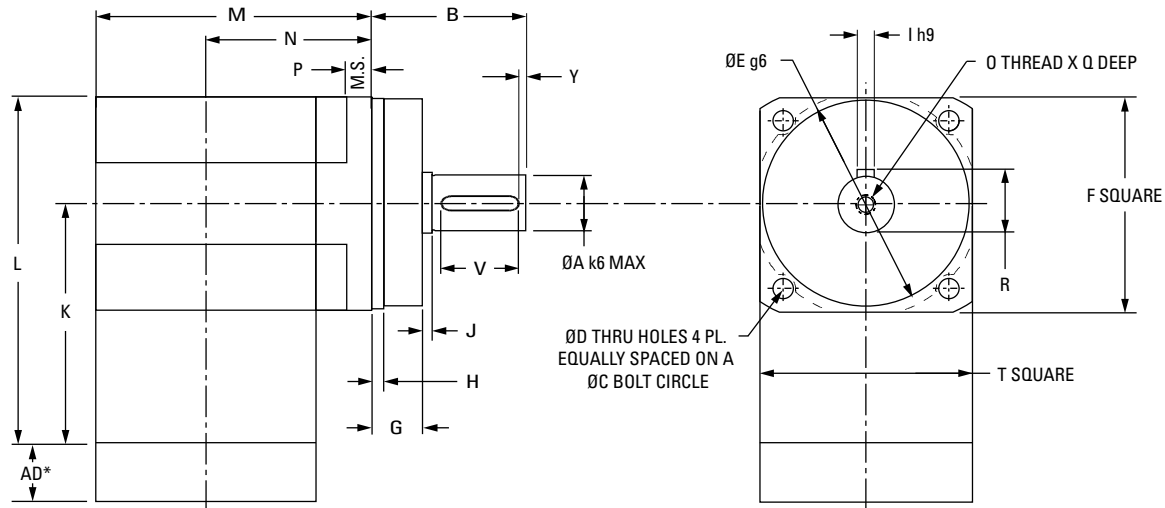
<sup>1</sup> Ratios are exact, higher ratios are also available, consult factory.  
 T<sub>r</sub> = Rated output torque at rated speed for specific hours of life.  
 \* Drawing not exactly as shown for VT115

T<sub>peak</sub> = Allowable momentary peak torque for emergency stop or heavy shock loading.  
 J = Mass moment of inertia reflected to the input shaft (including pinion assembly).



# ValueTRUE 90™

## Helical Right Angle Gearheads



### Right Angle Dimensions

Part Number	F Output Flange Square mm [in]	A Output Shaft Diameter mm [in]	B Output Shaft Length mm [in]	Y Shaft End Distance mm [in]	V Keyway Length mm [in]	R Keyway Height mm [in]	I Key Square mm [in]	J Shoulder Length mm [in]	O Output Shaft Thread mm [in]	Q Thread Depth mm [in]	E Pilot Diameter mm [in]	G Pilot Length mm [in]
VTR006	61 [2.40]	16 [0.63]	48 [1.89]	1 [0.04]	25 [0.98]	18 [0.71]	5 [0.20]	1 [0.04]	M5	19 [0.75]	60 [2.36]	18 [0.71]
VTR075	75 [2.95]	22 [0.86]	56 [2.20]	1,5 [0.06]	32 [1.26]	24,5 [0.97]	6 [0.24]	1 [0.04]	M8	19 [0.75]	70 [2.75]	20 [0.79]
VTR090	90 [3.54]	22 [0.86]	48 [1.89]	1,5 [0.06]	32 [1.26]	24,5 [0.97]	6 [0.24]	1 [0.04]	M8	19 [0.75]	80 [1.48]	12 [0.47]
VTR010	101 [3.98]	32 [1.26]	88 [3.46]	3 [0.12]	50 [1.97]	35 [1.38]	10 [0.39]	2 [0.08]	M12	20 [0.80]	90 [3.54]	28 [1.10]
VTR115*	115 [4.53]	32 [1.26]	72 [2.83]	3 [0.12]	50 [1.97]	35 [1.38]	10 [0.39]	2 [0.08]	M12	20 [0.80]	110 [4.33]	24 [0.94]
VTR014	141 [5.55]	40 [1.57]	112 [4.41]	5 [0.20]	70 [2.76]	43 [1.69]	12 [0.47]	3 [0.12]	M12	20 [0.80]	130 [5.11]	27 [1.06]
VTR018	182 [7.17]	55 [2.17]	112 [4.41]	6 [0.24]	70 [2.76]	59 [2.32]	16 [0.63]	3 [0.12]	M20	42 [1.65]	180 [6.29]	27 [1.06]

### Right Angle Dimensions (continued)

Part Number	P Flange Thickness mm [in]	H Effective Pilot Length mm [in]	L Length mm [in]	K Distance to Output CL mm [in]	C Bolt Circle mm [in]	D Bolt Hole mm [in]	M Housing Width mm [in]		N Distance to Input CL mm [in]		T Input Flange Square mm [in]
							All other ratios	4:1 & 5:1 only	All other ratios	4:1 & 5:1 only	
VTR006	7 [0.28]	7 [0.28]	109,5 [4.31]	79 [3.11]	68 [2.68]	5,6 [0.22]	95 [3.75]	95 [3.75]	65 [2.55]	65 [2.55]	61 [2.40]
VTR075	8 [0.31]	7 [0.28]	141 [5.55]	103 [4.05]	85 [3.35]	7 [0.28]	114,5 [4.51]	114,5 [4.51]	77 [3.04]	77 [3.04]	75 [2.95]
VTR090	10 [0.39]	12 [0.47]	141 [5.55]	103 [4.05]	100 [3.94]	6,6 [0.26]	122,5 [4.82]	122,5 [4.82]	85 [3.35]	85 [3.35]	75 [2.95]
VTR010	10 [0.39]	12 [0.47]	193 [7.60]	142,5 [5.61]	120 [4.72]	9 [0.35]	149 [5.88]	158 [6.19]	99 [3.89]	107 [4.20]	101 [3.98]
VTR115*	12 [0.47]	12 [0.47]	193 [7.60]	142,5 [5.61]	130 [5.118]	9 [0.35]	165 [6.51]	174 [6.82]	114,8 [4.52]	123 [4.83]	101 [3.98]
VTR014	13 [0.51]	14 [0.55]	231 [9.09]	160 [6.23]	165 [6.50]	11 [0.43]	222 [8.74]	222 [8.74]	151 [5.95]	151 [5.95]	142 [5.59]
VTR018	15 [0.59]	13 [0.51]	319 [12.60]	228 [8.97]	215 [8.46]	13,5 [0.53]	273 [10.76]	301 [11.83]	182 [7.18]	210 [8.25]	182 [7.17]

\* Drawing not exactly as shown for VTR115

# ValueTRUE™ Helical True Planetary Gearheads

Inline Torque: VT006 - VT010

## Performance Specifications

Part Number	Ratio	20000 Hour Life			T <sub>peak</sub> Nm [in-lb]	J kg-cm <sup>2</sup> [in-lb-sec <sup>2</sup> x10 <sup>-4</sup> ]	Torsional Stiffness Nm/arc-min [in-lb/arc-min]	
		T <sub>r</sub> (1000 rpm) Nm [in-lb]	T <sub>r</sub> (3000 rpm) Nm [in-lb]	T <sub>r</sub> (5000 rpm) Nm [in-lb]				
VT006	VT006-004	4:1	42 [375]	32 [290]	28 [248]	91 [802]	0.20 [1.80]	2.36 [20.9]
	VT006-005	5:1	41 [364]	34 [302]	30 [259]	88 [779]	0.13 [1.16]	2.30 [20.4]
	VT006-007	7:1	40 [347]	36 [319]	32 [276]	84 [743]	0.11 [0.96]	2.18 [19.4]
	VT006-010	10:1	22 [194]	19 [167]	17 [156]	79 [703]	0.10 [0.85]	1.74 [15.4]
	VT006-016	16:1	47 [410]	43 [383]	41 [369]	99 [878]	0.16 [1.44]	2.40 [21.3]
	VT006-020	20:1	47 [416]	44 [42]	42 [375]	100 [887]	0.16 [1.44]	2.36 [20.9]
	VT006-025	25:1	45 [401]	42 [376]	41 [364]	96 [853]	0.16 [1.44]	2.32 [20.5]
	VT006-028	28:1	48 [423]	45 [398]	43 [384]	102 [899]	0.16 [1.44]	2.21 [19.6]
	VT006-035	35:1	46 [408]	43 [384]	42 [127]	97 [864]	0.10 [0.85]	2.29 [20.3]
	VT006-040	40:1	49 [430]	46 [406]	44 [394]	103 [910]	0.10 [0.85]	2.40 [21.3]
VT075	VT006-050	50:1	47 [415]	44 [392]	43 [381]	99 [874]	0.10 [0.85]	2.36 [20.9]
	VT006-070	70:1	44 [662]	42 [373]	41 [362]	93 [822]	0.10 [0.85]	2.21 [19.6]
	VT006-100	100:1	29 [256]	25 [224]	23 [211]	86 [766]	0.10 [0.85]	1.83 [16.1]
	VT075-004	4:1	76 [671]	67 [587]	57 [503]	161 [1423]	0.46 [4.10]	6.30 [55.7]
	VT075-005	5:1	74 [651]	67 [591]	59 [525]	157 [1383]	0.38 [3.40]	6.17 [54.6]
	VT075-007	7:1	70 [621]	64 [569]	61 [541]	149 [1322]	0.31 [2.80]	5.46 [48.3]
	VT075-010	10:1	40 [348]	34 [300]	32 [279]	141 [1254]	0.27 [2.40]	4.01 [35.6]
	VT075-016	16:1	84 [738]	77 [686]	75 [659]	177 [1569]	0.31 [2.80]	6.62 [58.6]
	VT075-020	20:1	85 [747]	79 [698]	76 [671]	179 [1586]	0.31 [2.80]	6.48 [57.3]
	VT075-025	25:1	82 [721]	77 [675]	74 [651]	173 [1528]	0.31 [2.80]	6.36 [56.3]
VT090	VT075-028	28:1	86 [761]	81 [714]	77 [689]	182 [1610]	0.28 [2.50]	5.81 [51.4]
	VT075-035	35:1	83 [734]	78 [690]	76 [667]	175 [1549]	0.16 [1.40]	6.01 [53.2]
	VT075-040	40:1	87 [775]	83 [730]	80 [707]	185 [1632]	0.16 [1.40]	6.63 [58.7]
	VT075-050	50:1	85 [747]	80 [706]	77 [683]	177 [1569]	0.16 [1.40]	6.50 [57.5]
	VT075-070	70:1	80 [706]	76 [669]	74 [650]	167 [1475]	0.16 [1.40]	5.83 [51.6]
	VT075-100	100:1	52 [462]	46 [405]	43 [380]	156 [1376]	0.15 [1.30]	4.05 [35.8]
	VT090-004	4:1	76 [671]	67 [587]	57 [503]	161 [1423]	0.46 [4.10]	6.30 [55.7]
	VT090-005	5:1	74 [651]	67 [591]	59 [525]	157 [1383]	0.38 [3.40]	6.17 [54.6]
	VT090-007	7:1	70 [621]	64 [569]	61 [541]	149 [1322]	0.31 [2.80]	5.46 [48.3]
	VT090-010	10:1	40 [348]	34 [300]	32 [279]	141 [1254]	0.27 [2.40]	4.01 [35.6]
VT010	VT090-016	16:1	84 [738]	77 [686]	75 [659]	177 [1569]	0.31 [2.80]	6.62 [58.6]
	VT090-020	20:1	85 [747]	79 [698]	76 [671]	179 [1586]	0.31 [2.80]	6.48 [57.3]
	VT090-025	25:1	82 [721]	77 [675]	74 [651]	173 [1528]	0.31 [2.80]	6.36 [56.3]
	VT090-028	28:1	86 [761]	81 [714]	77 [689]	182 [1610]	0.28 [2.50]	5.81 [51.4]
	VT090-035	35:1	83 [734]	78 [690]	76 [667]	175 [1549]	0.16 [1.40]	6.01 [53.2]
	VT090-040	40:1	87 [775]	83 [730]	80 [707]	185 [1632]	0.16 [1.40]	6.63 [58.7]
	VT090-050	50:1	85 [747]	80 [706]	77 [683]	177 [1569]	0.16 [1.40]	6.50 [57.5]
	VT090-070	70:1	80 [706]	76 [669]	74 [650]	167 [1475]	0.16 [1.40]	5.83 [51.6]
	VT090-100	100:1	52 [462]	46 [405]	43 [380]	156 [1376]	0.15 [1.30]	4.05 [35.8]
	VT1010-004	4:1	221 [1954]	158 [1405]	136 [1206]	463 [4093]	1.58 [14.00]	23.1 [204]
VT1010-005	5:1	216 [1908]	166 [1465]	142 [1257]	451 [3991]	1.36 [12.00]	20.5 [182]	
VT1010-007	7:1	206 [1825]	176 [1562]	151 [1340]	433 [3830]	0.97 [8.60]	19.0 [168]	
VT1010-010	10:1	115 [1016]	99 [872]	92 [808]	411 [3640]	0.90 [8.00]	13.0 [115]	
VT1010-016	16:1	246 [2174]	227 [2010]	206 [1827]	518 [4577]	1.10 [9.70]	24.6 [218]	
VT1010-020	20:1	249 [2205]	231 [2046]	221 [1954]	524 [4637]	1.10 [9.70]	21.9 [194]	
VT1010-025	25:1	241 [2131]	224 [1985]	216 [1908]	506 [4477]	1.10 [9.70]	21.9 [194]	
VT1010-028	28:1	254 [2248]	237 [2098]	228 [2018]	533 [4718]	0.94 [8.30]	19.0 [168]	
VT1010-035	35:1	246 [2172]	230 [2033]	221 [1959]	514 [4549]	0.79 [7.00]	18.8 [167]	
VT1010-040	40:1	259 [2291]	243 [2149]	234 [2075]	542 [4794]	0.79 [7.00]	24.7 [219]	
VT1010-050	50:1	250 [2212]	235 [2081]	228 [2012]	521 [4615]	0.78 [6.90]	21.7 [192]	
VT1010-070	70:1	237 [2094]	223 [1977]	217 [1916]	491 [4349]	0.78 [6.90]	19.0 [168]	
VT1010-100	100:1	153 [1354]	134 [1185]	126 [1112]	459 [4059]	0.78 [6.90]	15.5 [137]	

All ratios in frame size 60, 75, 100 and 140 are available to ship in 24 hours through the Gearhead Express Program.



# ValueTRUE™ Helical True Planetary Gearheads

Inline Torque: VT115 - VT022

## Performance Specifications

Part Number	Ratio	20000 Hour Life			T <sub>peak</sub> Nm [in-lb]	J kg-cm <sup>2</sup> [in-lb-sec <sup>2</sup> x10 <sup>-4</sup> ]	Torsional Stiffness Nm/arc-min [in-lb/arc-min]	
		T <sub>r</sub> (1000 rpm) Nm [in-lb]	T <sub>r</sub> (3000 rpm) Nm [in-lb]	T <sub>r</sub> (5000 rpm) Nm [in-lb]				
VT115	VT115-004	4:1	221 [1954]	158 [1405]	136 [1206]	463 [4093]	1.58 [14.00]	23.1 [204]
	VT115-005	5:1	216 [1908]	166 [1465]	142 [1257]	451 [3991]	1.36 [12.00]	20.5 [182]
	VT115-007	7:1	206 [1825]	176 [1562]	151 [1340]	433 [3830]	0.97 [8.60]	19.0 [168]
	VT115-010	10:1	115 [1016]	99 [872]	92 [808]	411 [3640]	0.90 [8.00]	13.0 [115]
	VT115-016	16:1	246 [2174]	227 [2010]	206 [1827]	518 [4577]	1.10 [9.70]	24.6 [218]
	VT115-020	20:1	249 [2205]	231 [2046]	221 [1954]	524 [4637]	1.10 [9.70]	21.9 [194]
	VT115-025	25:1	241 [2131]	224 [1985]	216 [1908]	506 [4477]	1.10 [9.70]	21.9 [194]
	VT115-028	28:1	254 [2248]	237 [2098]	228 [2018]	533 [4718]	0.94 [8.30]	19.0 [168]
	VT115-035	35:1	246 [2172]	230 [2033]	221 [1959]	514 [4549]	0.79 [7.00]	18.8 [167]
	VT115-040	40:1	259 [2291]	243 [2149]	234 [2075]	542 [4794]	0.79 [7.00]	24.7 [219]
VT014	VT115-050	50:1	250 [2212]	235 [2081]	228 [2012]	521 [4615]	0.78 [6.90]	21.7 [192]
	VT115-070	70:1	237 [2094]	223 [1977]	217 [1916]	491 [4349]	0.78 [6.90]	19.0 [168]
	VT115-100	100:1	153 [1354]	134 [1185]	126 [1112]	459 [4059]	0.78 [6.90]	15.5 [137]
	VT014-004	4:1	518 [4583]	387 [3427]	332 [2940]	1066 [9431]	6.51 [57.60]	49.5 [438]
	VT014-005	5:1	504 [4459]	403 [3571]	347 [3064]	1040 [9206]	5.02 [44.40]	45.9 [407]
	VT014-007	7:1	483 [4274]	430 [3809]	369 [3268]	1002 [8866]	3.80 [33.60]	42.3 [378]
	VT014-010	10:1	275 [2426]	235 [2075]	217 [1919]	956 [8459]	3.39 [30.00]	31.5 [280]
	VT014-016	16:1	579 [5119]	532 [4704]	503 [4456]	1206 [10674]	4.21 [37.20]	52.2 [463]
	VT014-020	20:1	587 [5195]	542 [4795]	518 [4583]	1224 [10832]	4.07 [36.00]	48.6 [431]
	VT014-025	25:1	567 [5021]	526 [4654]	504 [4459]	1183 [10463]	4.07 [36.00]	48.6 [431]
VT018	VT014-028	28:1	599 [5303]	556 [4926]	534 [4725]	1248 [11047]	3.53 [31.20]	42.3 [375]
	VT014-035	35:1	579 [5122]	539 [4774]	518 [4589]	1204 [10653]	2.99 [26.40]	39.6 [352]
	VT014-040	40:1	612 [5413]	572 [5055]	550 [4867]	1271 [11248]	2.99 [26.40]	52.2 [461]
	VT014-050	50:1	509 [5223]	553 [4893]	534 [4720]	1224 [10831]	2.85 [25.20]	48.6 [431]
	VT014-070	70:1	559 [4949]	527 [4657]	509 [4504]	1155 [10223]	2.85 [25.20]	44.1 [392]
	VT014-100	100:1	367 [3246]	320 [2838]	301 [2659]	1081 [9564]	2.85 [25.20]	31.5 [281]
	VT018-004	4:1	1203 [10649]	866 [7658]	743 [6570]	2242 [21609]	25.90 [229.00]	137.7 [1222]
	VT018-005	5:1	1174 [10385]	902 [7981]	774 [6847]	2389 [21143]	20.00 [177.00]	135 [1197]
	VT018-007	7:1	1128 [9878]	962 [8512]	825 [7303]	2309 [20429]	14.60 [129.00]	120.6 [1067]
	VT018-010	10:1	645 [5710]	550 [4864]	507 [4486]	2210 [19561]	13.00 [115.00]	90.9 [804]
VT022	VT018-016	16:1	1356 [12005]	1238 [10963]	1125 [9959]	2800 [24779]	16.10 [142.00]	144.9 [1286]
	VT018-020	20:1	1378 [12194]	1265 [11191]	1203 [10649]	2846 [25187]	15.60 [138.00]	140.4 [1244]
	VT018-025	25:1	1333 [11799]	1229 [10877]	1174 [10385]	2754 [24370]	15.60 [138.00]	117.9 [1044]
	VT018-028	28:1	1409 [12466]	1301 [11518]	1245 [11013]	2910 [25751]	13.50 [119.00]	124.2 [1103]
	VT018-035	35:1	1362 [120490]	1263 [11178]	1211 [10714]	2810 [24870]	11.40 [101.00]	111.6 [988]
	VT018-040	40:1	1439 [12739]	1338 [11846]	1285 [11371]	2970 [2611]	11.40 [101.00]	144.9 [1286]
	VT018-050	50:1	1390 [12301]	1297 [11479]	1247 [11042]	2863 [25338]	10.90 [96.00]	140.4 [1244]
	VT018-070	70:1	1319 [11667]	1236 [10339]	1193 [10555]	2707 [23959]	10.90 [96.00]	124.2 [1103]
	VT018-100	100:1	868 [7676]	757 [6698]	708 [6269]	2537 [22454]	10.90 [96.00]	92.7 [817]
	VT022-004	4:1	1815 [16065]	1306 [11554]	1121 [9913]	4180 [36986]	87.00 [7.70]	386 [3414]
VT022-005	5:1	1892 [16740]	1360 [12038]	1167 [10328]	4093 [36225]	73.40 [6.50]	372 [3295]	
VT022-007	7:1	1838 [16268]	1452 [12844]	1245 [11019]	3933 [34804]	62.60 [5.55]	326 [2891]	
VT022-010	10:1	1050 [9293]	893 [8097]	823 [7277]	3871 [34254]	56.90 [5.04]	227 [2012]	
VT022-016	16:1	2218 [19625]	1979 [17513]	1697 [15025]	4722 [41793]	87.30 [7.73]	392 [3472]	
VT022-020	20:1	2254 [19948]	2062 [18246]	1815 [16065]	4791 [42396]	73.60 [6.52]	392 [3470]	
VT022-025	25:1	2184 [19332]	2009 [17781]	1892 [16745]	4636 [41025]	73.10 [6.47]	376 [3329]	
VT022-028	28:1	2304 [20394]	2125 [18803]	2008 [17528]	4884 [43224]	62.70 [5.55]	391 [3469]	
VT022-035	35:1	2233 [19765]	2067 [18294]	1976 [17494]	4719 [41757]	62.50 [5.53]	376 [3328]	
VT022-040	40:1	2357 [20864]	2188 [19359]	2095 [18542]	4972 [43999]	57.20 [5.06]	391 [3466]	
VT022-050	50:1	2282 [20199]	2125 [18808]	2040 [18056]	4795 [42440]	57.10 [5.05]	376 [3326]	
VT022-070	70:1	2165 [19159]	2026 [17930]	1951 [17270]	4523 [40023]	57.00 [5.04]	329 [2903]	
VT022-100	100:1	1414 [12512]	1232 [10904]	1155 [10220]	4367 [38647]	56.90 [5.04]	228 [2014]	

All ratios in frame size 60, 75, 100 and 140 are available to ship in 24 hours through the Gearhead Express Program.

# ValueTRUE™ Helical Right Angle Gearheads

## Right Angle Torque: VTR006 - VTR075

### Performance Specifications

Part Number	Ratio	2000 Hour Life			T <sub>peak</sub> Nm [in-lb]	J kg-cm <sup>2</sup> [in-lb-sec <sup>2</sup> x10 <sup>-4</sup> ]	Torsional Stiffness Nm/arc-min [in-lb/arc-min]	
		T <sub>r</sub> (1000 rpm) Nm [in-lb]	T <sub>r</sub> (3000 rpm) Nm [in-lb]	T <sub>r</sub> (5000 rpm) Nm [in-lb]				
VTR006	VTR006-008	8:1	44 [390]	41 [358]	34 [303]	95 [844]	0.50 [4.43]	1.89 [16.7]
	VTR006-010	10:1	43 [382]	40 [350]	36 [319]	92 [812]	0.49 [4.34]	1.62 [14.3]
	VTR006-012	12:1	41 [358]	37 [327]	33 [295]	98 [868]	0.39 [3.45]	1.80 [15.9]
	VTR006-014	14:1	41 [358]	38 [335]	37 [327]	87 [773]	0.49 [4.34]	2.16 [19.1]
	VTR006-015	15:1	44 [390]	41 [366]	40 [350]	95 [836]	0.39 [3.45]	2.16 [19.1]
	VTR006-016	16:1	30 [263]	27 [239]	24 [215]	99 [876]	0.39 [3.45]	2.16 [19.1]
	VTR006-020	20:1	37 [327]	34 [303]	31 [271]	95 [844]	0.39 [3.45]	2.16 [19.1]
	VTR006-025	25:1	31 [271]	28 [247]	25 [223]	96 [852]	0.38 [3.36]	2.07 [18.3]
	VTR006-028	28:1	42 [374]	40 [350]	39 [342]	90 [797]	0.39 [3.45]	1.98 [18.3]
	VTR006-030	30:1	25 [223]	22 [191]	21 [183]	84 [741]	0.42 [3.72]	2.07 [18.3]
	VTR006-035	35:1	43 [382]	40 [350]	35 [311]	91 [804]	0.38 [3.36]	2.07 [18.3]
	VTR006-040	40:1	26 [231]	23 [199]	22 [191]	85 [749]	0.39 [3.45]	2.16 [19.1]
VTR006-050	50:1	27 [239]	23 [207]	22 [191]	85 [749]	0.38 [3.36]	2.16 [19.1]	
VTR075	VTR075-008	8:1	80 [709]	73 [645]	70 [621]	170 [1505]	1.90 [16.81]	4.23 [37.4]
	VTR075-010	10:1	77 [685]	71 [629]	68 [605]	165 [1458]	1.90 [16.81]	3.69 [32.7]
	VTR075-012	12:1	82 [725]	76 [669]	73 [645]	175 [1545]	1.50 [13.28]	4.14 [36.6]
	VTR075-014	14:1	74 [653]	68 [605]	66 [581]	157 [1386]	1.90 [16.81]	5.94 [52.6]
	VTR075-015	15:1	79 [701]	74 [653]	70 [621]	168 [1489]	1.50 [13.28]	6.03 [53.4]
	VTR075-016	16:1	84 [741]	77 [685]	75 [661]	177 [1569]	1.50 [13.28]	6.03 [53.4]
	VTR075-020	20:1	80 [709]	75 [661]	72 [637]	171 [1513]	1.50 [13.28]	5.85 [51.8]
	VTR075-025	25:1	82 [725]	77 [677]	72 [637]	173 [1529]	1.50 [13.28]	5.76 [51.0]
	VTR075-028	28:1	77 [677]	72 [637]	69 [613]	161 [1426]	1.50 [13.28]	5.31 [47.0]
	VTR075-030	30:1	45 [398]	40 [350]	37 [327]	149 [1322]	1.60 [14.16]	5.67 [47.0]
	VTR075-035	35:1	77 [685]	73 [645]	70 [621]	163 [1442]	1.50 [13.28]	5.67 [50.2]
	VTR075-040	40:1	47 [414]	41 [358]	38 [335]	151 [1338]	1.50 [13.28]	6.03 [53.4]
VTR075-050	50:1	48 [422]	42 [374]	40 [350]	153 [1354]	1.50 [13.28]	5.94 [52.6]	

Sold &amp; Serviced By:



Toll Free Phone (877) SERV098

Toll Free Fax (877) SERV099

www.electromate.com

sales@electromate.com

<sup>1</sup> Ratios are exact, higher ratios are also available, consult factory.  
T<sub>r</sub> = Rated output torque at rated speed for specific hours of life.

T<sub>peak</sub> = Allowable momentary peak torque for emergency stop or heavy shock loading.  
J = Mass moment of inertia reflected to the input shaft (including pinion assembly).

# ValueTRUE™ Helical Right Angle Gearheads

Right Angle Torque: VTR090 - VTR010

## Performance Specifications

Part Number	Ratio	20000 Hour Life			T <sub>peak</sub> Nm [in-lb]	J kg-cm <sup>2</sup> [in-lb-sec <sup>2</sup> x10 <sup>-4</sup> ]	Torsional Stiffness Nm/arc-min [in-lb/arc-min]	
		T <sub>r</sub> (1000 rpm) Nm [in-lb]	T <sub>r</sub> (3000 rpm) Nm [in-lb]	T <sub>r</sub> (5000 rpm) Nm [in-lb]				
VTR090	VTR090-008	8:1	80 [709]	73 [345]	70 [621]	170 [1505]	1.90 [16.81]	4.23 [37.4]
	VTR090-010	10:1	77 [685]	71 [629]	68 [605]	165 [1458]	1.90 [16.81]	3.69 [32.7]
	VTR090-012	12:1	82 [725]	76 [669]	73 [645]	175 [1545]	1.50 [13.28]	4.14 [36.6]
	VTR090-014	14:1	74 [653]	68 [605]	66 [581]	157 [1386]	1.90 [16.81]	5.94 [52.6]
	VTR090-015	15:1	79 [701]	74 [653]	70 [621]	168 [1489]	1.50 [13.28]	6.03 [53.4]
	VTR090-016	16:1	84 [741]	77 [685]	75 [661]	177 [1569]	1.50 [13.28]	6.03 [53.4]
	VTR090-020	20:1	80 [709]	75 [661]	72 [637]	171 [1513]	1.50 [13.28]	5.85 [51.8]
	VTR090-025	25:1	82 [725]	77 [677]	72 [637]	173 [1529]	1.50 [13.28]	5.76 [51.0]
	VTR090-028	28:1	77 [677]	72 [637]	69 [613]	161 [1426]	1.50 [13.28]	5.31 [47.0]
	VTR090-030	30:1	45 [398]	40 [350]	37 [327]	149 [1322]	1.60 [14.16]	5.67 [50.2]
	VTR090-035	35:1	77 [685]	73 [645]	70 [621]	163 [1442]	1.50 [13.28]	5.67 [50.2]
	VTR090-040	40:1	47 [414]	41 [358]	38 [335]	151 [1338]	1.50 [13.28]	6.03 [53.4]
	VTR090-050	50:1	48 [422]	42 [374]	40 [350]	153 [1354]	1.50 [13.28]	5.94 [52.6]
VTR010	VTR010-004	4:1	234 [2071]	195 [1728]	167 [1673]	492 [4357]	3.30 [29.20]	14.94 [132.2]
	VTR010-005	5:1	228 [2015]	203 [1800]	175 [1649]	478 [4229]	3.30 [29.20]	11.79 [104.3]
	VTR010-008	8:1	234 [2071]	195 [1728]	167 [1673]	492 [4357]	3.30 [29.20]	14.94 [132.2]
	VTR010-010	10:1	228 [2015]	203 [1800]	175 [1649]	478 [4229]	3.30 [29.20]	11.79 [104.3]
	VTR010-012	12:1	243 [2151]	221 [1951]	189 [1744]	508 [4492]	2.60 [23.01]	16.92 [149.7]
	VTR010-014	14:1	217 [1920]	200 [1768]	186 [1649]	455 [4030]	3.30 [29.20]	20.79 [184.0]
	VTR010-015	15:1	233 [2063]	216 [1912]	197 [1744]	491 [4349]	2.50 [22.12]	21.87 [193.5]
	VTR010-016	16:1	225 [1991]	205 [1816]	185 [1641]	518 [4580]	2.60 [23.01]	22.32 [197.5]
	VTR010-020	20:1	238 [2103]	221 [1951]	212 [1872]	500 [4421]	2.60 [23.01]	19.89 [176.0]
	VTR010-025	25:1	211 [1864]	193 [1705]	174 [1532]	506 [4476]	2.50 [22.12]	19.89 [176.0]
	VTR010-028	28:1	226 [1999]	211 [1854]	203 [1792]	473 [4190]	2.60 [23.01]	17.28 [152.9]
	VTR010-030	30:1	132 [1171]	115 [1020]	107 [948]	439 [3887]	2.80 [24.78]	17.19 [152.9]
	VTR010-035	35:1	229 [2023]	214 [1896]	206 [1824]	479 [4237]	2.50 [22.12]	17.10 [152.1]
VTR010-040	40:1	137 [1211]	119 [1051]	112 [988]	445 [3935]	2.60 [23.01]	22.41 [198.3]	
VTR010-050	50:1	140 [1243]	122 [1083]	115 [1020]	448 [3967]	2.50 [22.12]	19.71 [174.4]	

Sold & Serviced By:



Toll Free Phone (877) SERV098

Toll Free Fax (877) SERV099

[www.electromate.com](http://www.electromate.com)

[sales@electromate.com](mailto:sales@electromate.com)

<sup>1</sup> Ratios are exact, higher ratios are also available, consult factory.  
T<sub>r</sub> = Rated output torque at rated speed for specific hours of life.

T<sub>peak</sub> = Allowable momentary peak torque for emergency stop or heavy shock loading.  
J = Mass moment of inertia reflected to the input shaft (including pinion assembly).

# ValueTRUE™ Helical Right Angle Gearheads

## Right Angle Torque: VTR115, VTR014, VTR018

### Performance Specifications

Part Number	Ratio	20000 Hour Life			T <sub>peak</sub> Nm [in-lb]	J kg-cm <sup>2</sup> [in-lb-sec <sup>2</sup> x10 <sup>-4</sup> ]	Torsional Stiffness Nm/arc-min [in-lb/arc-min]	
		T <sub>r</sub> (1000 rpm) Nm [in-lb]	T <sub>r</sub> (3000 rpm) Nm [in-lb]	T <sub>r</sub> (5000 rpm) Nm [in-lb]				
VTR115	VTR115-004	4:1	234 [2071]	195 [1728]	167 [1481]	492 [4357]	3.30 [29.20]	14.94 [132.2]
	VTR115-005	5:1	228 [2015]	203 [1800]	175 [1545]	478 [4229]	3.30 [29.20]	11.79 [104.3]
	VTR115-008	8:1	234 [2071]	195 [1728]	167 [1481]	492 [4357]	3.30 [29.20]	14.94 [132.2]
	VTR115-010	10:1	228 [2015]	203 [1800]	175 [1545]	478 [4229]	3.30 [29.20]	11.79 [104.3]
	VTR115-012	12:1	243 [2151]	221 [1951]	189 [1673]	508 [4492]	2.60 [23.01]	16.92 [149.7]
	VTR115-014	14:1	217 [1920]	200 [1768]	186 [1649]	455 [4030]	3.30 [29.20]	20.79 [184.0]
	VTR115-015	15:1	233 [2063]	216 [1912]	197 [1744]	491 [4349]	2.50 [22.12]	21.87 [193.5]
	VTR115-016	16:1	225 [1991]	205 [1816]	185 [1641]	518 [4580]	2.60 [23.01]	22.32 [197.3]
	VTR115-020	20:1	238 [2103]	221 [1951]	212 [1872]	500 [4421]	2.60 [23.01]	19.89 [176.0]
	VTR115-025	25:1	211 [1864]	193 [1705]	174 [1537]	506 [4476]	2.50 [22.12]	19.89 [176.0]
	VTR115-028	28:1	226 [1999]	211 [1864]	203 [1792]	473 [4190]	2.60 [23.01]	17.28 [152.9]
	VTR115-030	30:1	132 [1171]	115 [1020]	107 [948]	439 [3887]	2.80 [24.78]	17.19 [152.1]
	VTR115-035	35:1	229 [2023]	214 [1896]	203 [1824]	479 [4237]	2.50 [22.12]	17.10 [151.3]
	VTR115-040	40:1	137 [1211]	119 [1051]	112 [988]	445 [3935]	2.60 [23.01]	22.41 [198.3]
	VTR115-050	50:1	140 [1243]	122 [1083]	115 [1020]	448 [3967]	2.50 [22.12]	19.71 [174.4]
VTR014	VTR014-004	4:1	550 [4867]	477 [4221]	409 [3616]	1142 [10108]	16.00 [141.60]	33.03 [292.0]
	VTR014-005	5:1	534 [4723]	485 [4293]	427 [3775]	1110 [9821]	16.00 [141.60]	28.71 [254.0]
	VTR014-008	8:1	550 [4867]	477 [4221]	409 [3616]	1142 [10108]	16.00 [141.60]	33.03 [292.0]
	VTR014-010	10:1	534 [4723]	485 [4293]	427 [3775]	1110 [9821]	16.00 [141.60]	28.71 [254.0]
	VTR014-012	12:1	567 [5018]	518 [4580]	462 [4086]	1182 [10458]	13.00 [115.05]	19.89 [176.0]
	VTR014-014	14:1	509 [4500]	466 [4126]	444 [3927]	1061 [9391]	16.00 [141.60]	46.44 [411.0]
	VTR014-015	15:1	549 [4859]	504 [4460]	480 [4245]	1145 [10131]	12.00 [106.20]	46.53 [412.0]
	VTR014-016	16:1	525 [4644]	479 [4237]	433 [3831]	1206 [10673]	13.00 [115.05]	47.52 [421.0]
	VTR014-020	20:1	560 [4954]	517 [4572]	493 [4365]	1166 [10323]	13.00 [115.05]	44.28 [392.0]
	VTR014-025	25:1	532 [4707]	494 [4373]	474 [4198]	1183 [10466]	13.00 [115.05]	38.52 [341.0]
	VTR014-028	28:1	532 [4707]	494 [4373]	474 [4198]	1108 [9805]	13.00 [115.05]	38.52 [341.0]
	VTR014-030	30:1	317 [2804]	275 [2429]	256 [2262]	1029 [9104]	14.00 [123.90]	40.23 [356.0]
	VTR014-035	35:1	539 [4771]	502 [4444]	483 [4277]	1121 [9924]	12.00 [106.20]	36.18 [320.0]
	VTR014-040	40:1	328 [2899]	285 [2525]	266 [2350]	1043 [9231]	13.00 [115.05]	47.34 [419.0]
	VTR014-050	50:1	338 [2987]	293 [2597]	275 [2429]	1054 [9327]	12.00 [106.20]	44.28 [392.0]
VTR018	VTR018-004	4:1	1285 [11374]	1066 [9431]	914 [8092]	2636 [23329]	45 [398]	102 [900]
	VTR018-005	5:1	1247 [11039]	1111 [9829]	952 [8427]	2566 [22708]	45 [398]	83 [733]
	VTR018-008	8:1	1285 [11374]	1066 [9431]	914 [8092]	2636 [23329]	45 [398]	102 [900]
	VTR018-010	10:1	1247 [11039]	1111 [9829]	952 [8427]	2566 [22708]	45 [398]	83 [733]
	VTR018-012	12:1	1328 [11748]	1203 [10649]	1032 [9136]	2736 [24214]	36 [319]	57 [502]
	VTR018-014	14:1	1193 [10554]	1085 [9606]	1016 [8992]	2460 [21768]	45 [398]	100 [884]
	VTR018-015	15:1	1287 [11390]	1174 [10386]	1076 [9518]	2655 [23497]	35 [310]	130 [1147]
	VTR018-016	16:1	1199 [10609]	1094 [9685]	989 [8754]	2800 [24779]	36 [319]	132 [1171]
	VTR018-020	20:1	1314 [11629]	1205 [10665]	1148 [10155]	2713 [24007]	36 [319]	128 [1131]
	VTR018-025	25:1	1054 [9327]	962 [8515]	870 [7702]	2754 [24373]	35 [310]	107 [948]
	VTR018-028	28:1	1251 [11071]	1156 [10227]	1105 [9781]	2583 [22860]	36 [319]	113 [1004]
	VTR018-030	30:1	747 [6611]	645 [5711]	600 [5313]	2399 [21227]	38 [336]	102 [900]
	VTR018-035	35:1	1268 [11223]	1176 [10410]	1128 [9980]	2617 [23162]	35 [310]	102 [900]
	VTR018-040	40:1	775 [6858]	671 [5942]	626 [5536]	2437 [21569]	36 [319]	132 [1171]
	VTR018-050	50:1	338 [2987]	691 [6117]	645 [5711]	2465 [21816]	35 [310]	128 [1131]

Sold &amp; Serviced By:



Toll Free Phone (877) SERV098

Toll Free Fax (877) SERV099

www.electromate.com

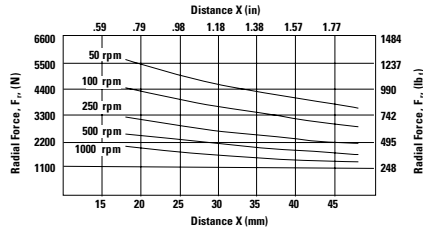
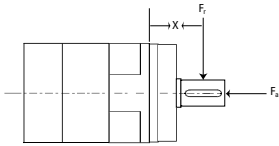
sales@electromate.com

<sup>1</sup> Ratios are exact, higher ratios are also available, consult factory.  
T<sub>r</sub> = Rated output torque at rated speed for specific hours of life.

T<sub>peak</sub> = Allowable momentary peak torque for emergency stop or heavy shock loading.  
J = Mass moment of inertia reflected to the input shaft (including pinion assembly).

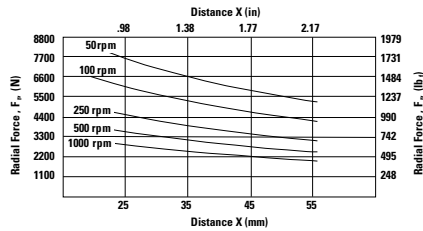
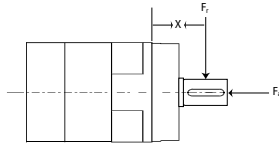
# Radial and Axial Load Ratings

## VT006



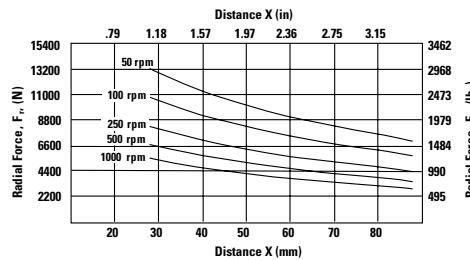
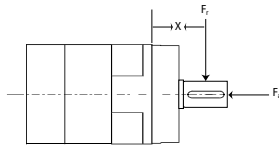
Speed rpm	Axial Load, $F_a$ N [lb.]
50	7198 [1618]
100	5710 [1284]
250	4208 [946]
500	3342 [751]
1000	2652 [596]

## VT075 and VT090



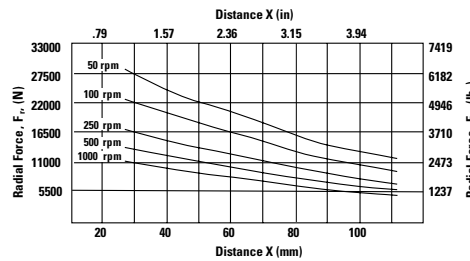
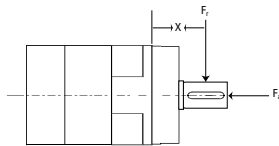
Speed rpm	Axial Load, $F_a$ N [lb.]
50	9903 [2227]
100	7863 [1768]
250	5793 [1303]
500	4599 [1034]
1000	3650 [821]

## VT010 and VT115



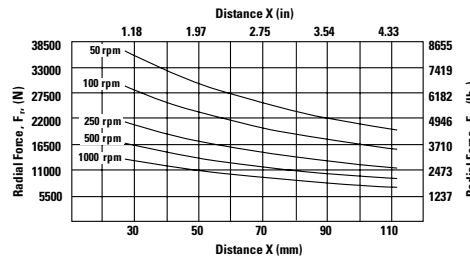
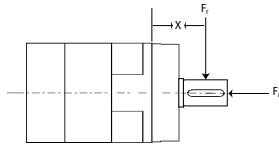
Speed rpm	Axial Load, $F_a$ N [lb.]
50	13,675 [3075]
100	11,107 [2497]
250	8435 [1897]
500	6855 [1542]
1000	5568 [1252]

## VT014



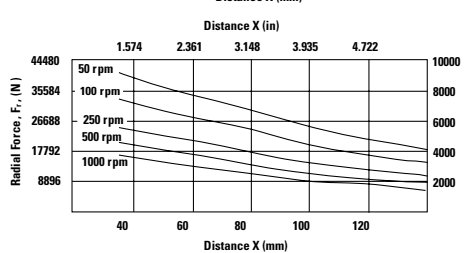
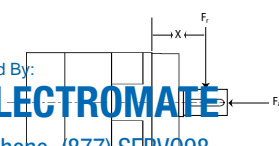
Speed rpm	Axial Load, $F_a$ N [lb.]
50	25,374 [5705]
100	20,609 [4633]
250	15,657 [3520]
500	12,716 [2859]
1000	10,329 [2322]

## VT018



Speed rpm	Axial Load, $F_a$ N [lb.]
50	34,538 [7765]
100	27,414 [6163]
250	20,197 [4541]
500	16,034 [3605]
1000	12,726 [2861]

## VT022



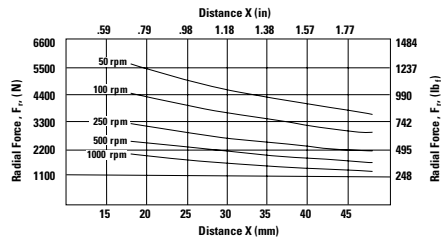
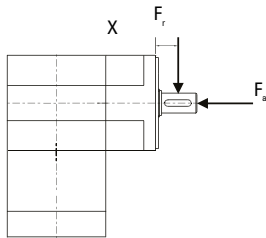
Speed rpm	Axial Load, $F_a$ N [lb.]
50	32,351 [3655]
100	26,277 [2969]
250	19,962 [2256]
500	16,214 [1832]

Sold & Serviced By:  
**ELECTROMATE**  
 Toll Free Phone (877) SERV098  
 Toll Free Fax (877) SERV099  
[www.electromate.com](http://www.electromate.com)  
[sales@electromate.com](mailto:sales@electromate.com)

These graphs display the allowable radial load at a given distance (X) from the mounting surface based on an  $L_{10}$  life of 10,000 hours for the mean output speed  $n_{mout}$ , as described on page 10,

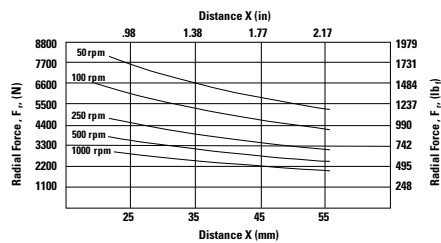
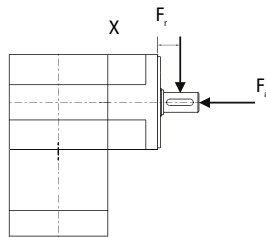
# Radial and Axial Load Ratings

## VTR006



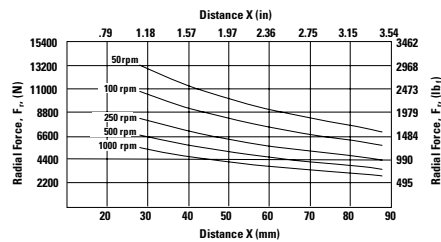
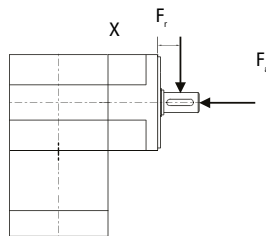
Speed rpm	Axial Load, $F_a$ N [lb.]
50	7198 [1618]
100	5710 [1284]
250	4208 [946]
500	3342 [751]
1000	2652 [596]

## VTR075 and VTR090



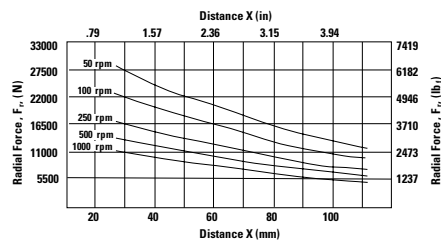
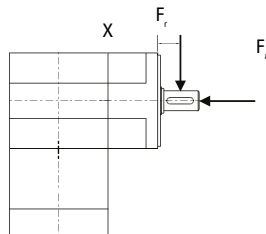
Speed rpm	Axial Load, $F_a$ N [lb.]
50	9903 [2227]
100	7863 [1768]
250	5793 [1303]
500	4599 [1034]
1000	3650 [821]

## VTR010 and VTR115



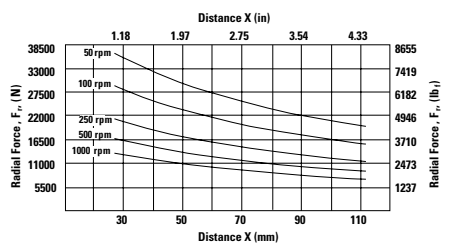
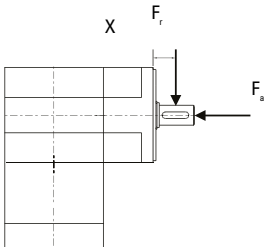
Speed rpm	Axial Load, $F_a$ N [lb.]
50	13,675 [3075]
100	11,107 [2497]
250	8435 [1897]
500	6855 [1542]
1000	5568 [1252]

## VTR014



Speed rpm	Axial Load, $F_a$ N [lb.]
50	25,374 [5705]
100	20,609 [4633]
250	15,657 [3520]
500	12,716 [2859]
1000	10,329 [2322]

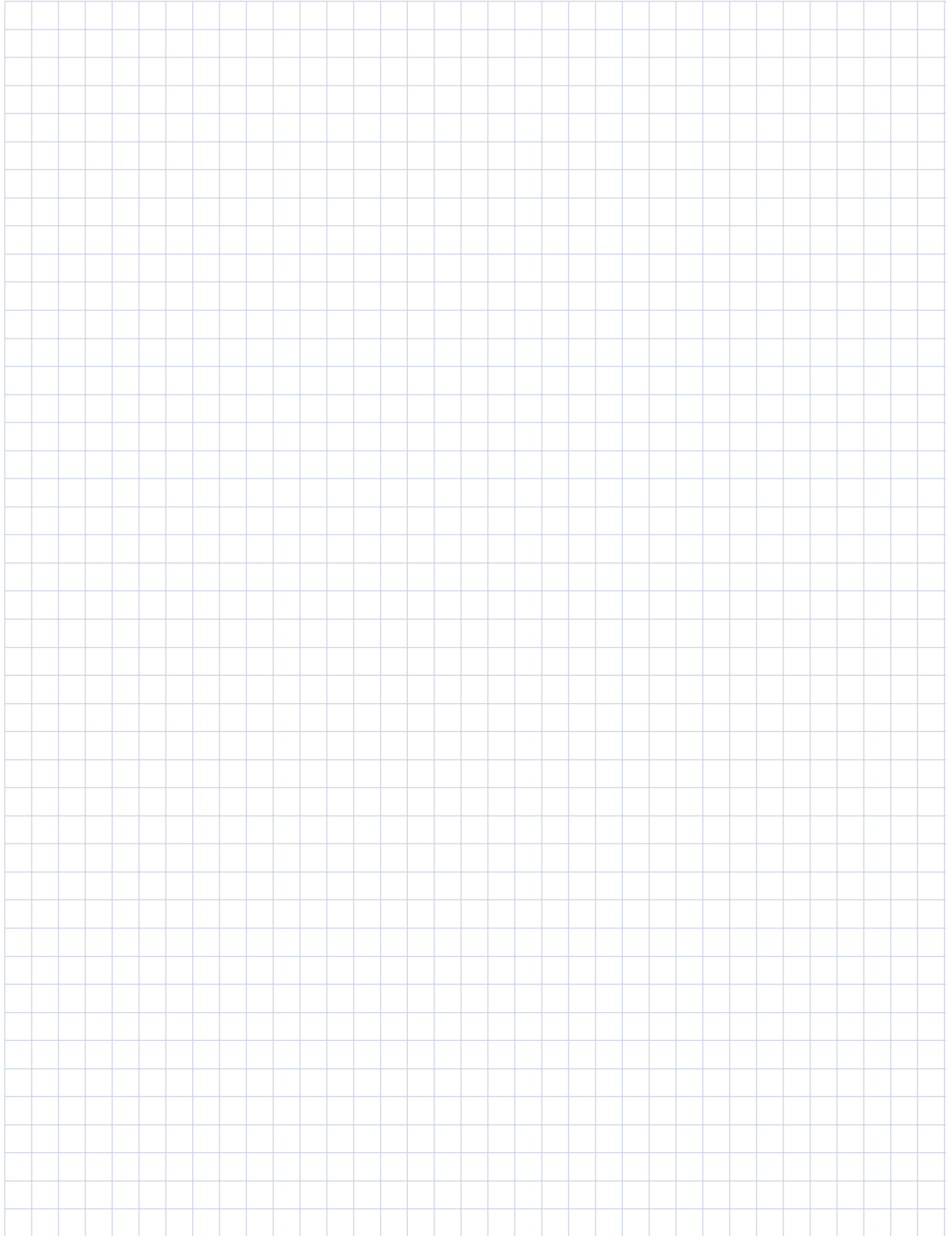
## VTR018



Speed rpm	Axial Load, $F_a$ N [lb.]
50	34,538 [7765]
100	27,414 [6163]
250	20,197 [4541]
500	16,034 [3605]
1000	12,726 [2861]

These graphs display the allowable radial load at a given distance (X) from the mounting surface based on an  $L_{10}$  life of 10,000 hours for the mean output speed  $n_{mout}$ , as described on page 10,



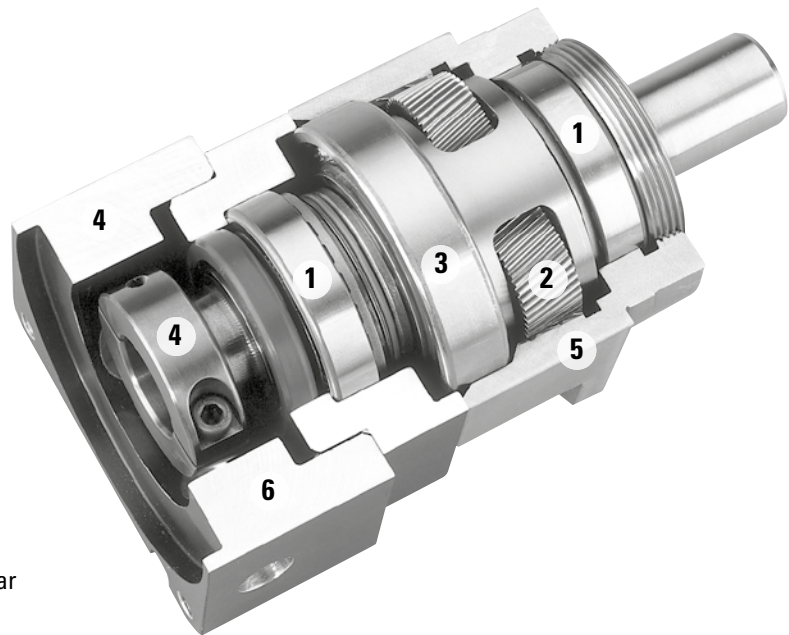


# UltraTRUE™

## Helical True Planetary™ Gearheads

Ready for Immediate Delivery	
<b>Precision</b>	4 arc-minutes
<b>Frame Sizes</b>	60mm, 75mm, 90mm, 100mm, 115mm, 140mm, 180mm and 220mm
<b>Torque Capacity</b>	up to 3300 Nm
<b>Ratio Availability</b>	4:1 thru 100:1
<b>Radial load capacity</b>	up to 37910 N
<b>Mounting System</b>	RediMount™

- 1 Tapered roller bearings**  
provide high axial and radial load carrying capacity
- 2 Helical crowned**  
HRC 55-60 steel gears  
provide higher torque capacity and smoother operation
- 3 Sealed deep groove ball bearing**  
provides high radial load carrying capability
- 4 RediMount™ system**  
provides error-free motor installation
- 5 Single piece output**  
integrated output housing and internal gear
- 6 Anodized aluminum housing**  
reduces weight and prevents corrosion



Sold & Serviced By:

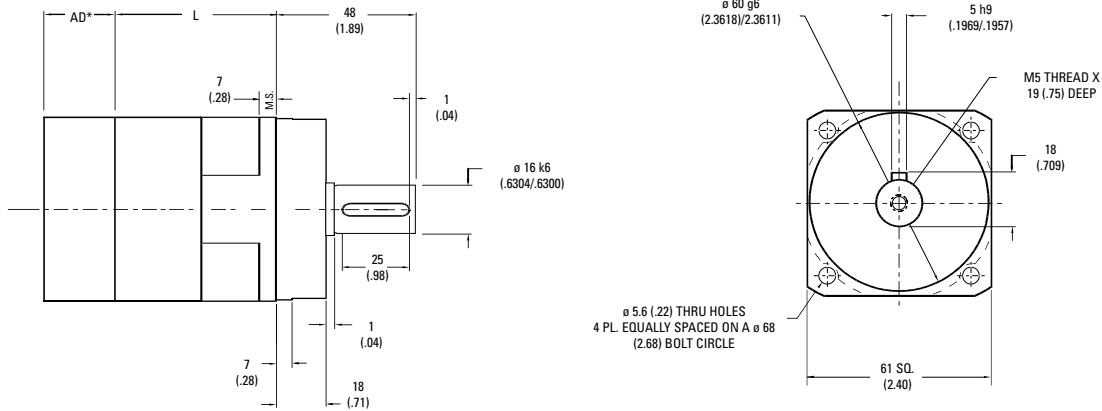


Toll Free Phone (877) SERV098  
Toll Free Fax (877) SERV099  
[www.electromate.com](http://www.electromate.com)  
[sales@electromate.com](mailto:sales@electromate.com)

# UltraTRUE™ Size 60

## Helical True Planetary™ Gearheads

Metric



Ratio <sup>1</sup>	Dimension 'L' mm [in]	Backlash [arc-min]	Weight kg [lb]	Efficiency
4:1 to 10:1	57 [2.25]	4 max	2 [4.4]	95%
16:1 to 100:1	105,4 [4.15]	5 max	2.5 [5.5]	90%

All dimensions are: mm (inch)  
 AD\*\* = Adapter length  
 Adapter length will vary depending on motor.  
 M.S.= Mounting Surface  
 Efficiency is calculated at 100% of the rated torque.

## Performance Specifications

Part Number	Ratio <sup>1</sup>	10,000 Hour Life			T peak Nm [in-lb]	20,000 Hour Life			J kg-cm <sup>2</sup> [in-lb-sec <sup>2</sup> ×10 <sup>-4</sup> ]	Torsional Stiffness Nm/arc-min [in-lb/arc-min]
		T <sub>r</sub> (1000 rpm) Nm [in-lb]	T <sub>r</sub> (3000 rpm) Nm [in-lb]	T <sub>r</sub> (5000 rpm) Nm [in-lb]		T <sub>r</sub> (1000 rpm) Nm [in-lb]	T <sub>r</sub> (3000 rpm) Nm [in-lb]	T <sub>r</sub> (5000 rpm) Nm [in-lb]		
UT006-004	4:1	48 [426]	44 [387]	38 [340]	101 [891]	47 [417]	36 [322]	31 [276]	.20 [1.80]	2.62 [23.2]
UT006-005	5:1	47 [413]	43 [377]	40 [355]	98 [865]	46 [404]	38 [336]	33 [288]	.13 [1.16]	2.56 [22.7]
UT006-007	7:1	45 [394]	41 [362]	39 [345]	93 [825]	44 [385]	40 [354]	35 [307]	.11 [.96]	2.42 [21.5]
UT006-010	10:1	26 [232]	23 [200]	21 [186]	88 [781]	24 [215]	21 [185]	19 [173]	.10 [.85]	1.93 [17.1]
UT006-016	16:1	53 [467]	49 [435]	47 [419]	110 [975]	52 [456]	48 [426]	46 [410]	.16 [1.44]	2.67 [23.7]
UT006-020	20:1	53 [472]	50 [442]	48 [426]	111 [985]	52 [462]	49 [432]	47 [417]	.16 [1.44]	2.62 [23.2]
UT006-025	25:1	51 [456]	48 [428]	47 [413]	107 [948]	50 [446]	47 [418]	46 [404]	.16 [1.44]	2.58 [22.8]
UT006-028	28:1	54 [481]	51 [452]	49 [437]	113 [999]	53 [470]	50 [442]	48 [427]	.16 [1.44]	2.46 [21.8]
UT006-035	35:1	52 [463]	49 [437]	48 [423]	108 [960]	51 [453]	48 [427]	47 [414]	.10 [.85]	2.54 [22.5]
UT006-040	40:1	55 [489]	52 [462]	51 [447]	114 [1011]	54 [478]	51 [451]	49 [438]	.10 [.85]	2.67 [23.7]
UT006-050	50:1	53 [471]	50 [446]	49 [433]	110 [971]	52 [461]	49 [436]	48 [423]	.10 [.85]	2.62 [23.2]
UT006-070	70:1	50 [445]	48 [423]	46 [411]	103 [913]	49 [435]	47 [414]	45 [402]	.10 [.85]	2.46 [21.8]
UT006-100	100:1	35 [307]	30 [269]	29 [253]	96 [851]	32 [284]	28 [249]	26 [234]	.10 [.85]	2.03 [17.9]

All ratios are available to ship in 24 hours through the Gearhead Express Program.

Sold & Serviced By:



Toll Free Phone (877) SERV098

Toll Free Fax (877) SERV099

www.electromate.com

sales@electromate.com

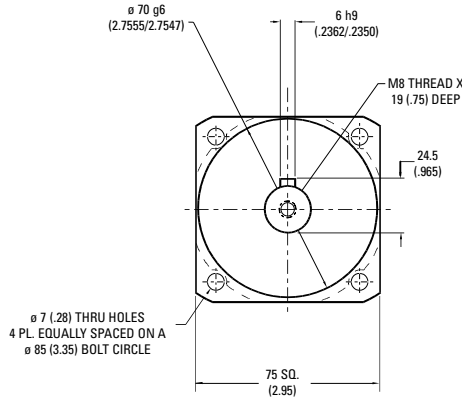
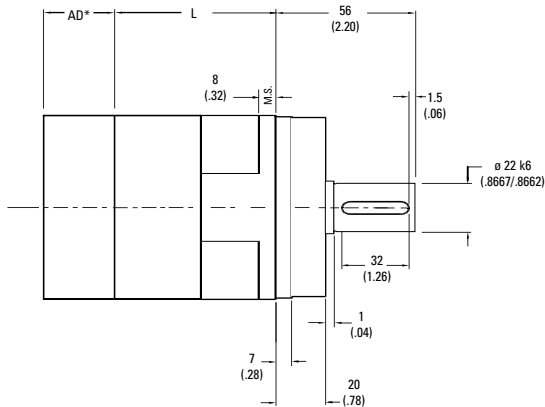
<sup>1</sup> Ratios are exact, higher ratios are also available, consult factory.  
 T<sub>r</sub> = Rated output torque at rated speed for specific hours of life.

T<sub>peak</sub> = Allowable momentary peak torque for emergency stop or heavy shock loading.  
 J = Mass moment of inertia reflected to the input shaft (including pinion assembly).

# UltraTRUE™ Size 75

## Helical True Planetary™ Gearheads

Metric



Ratio <sup>1</sup>	Dimension 'L' mm [in]	Backlash [arc-min]	Weight kg [lb]	Efficiency
4:1 to 10:1	60 [2.35]	4 max	2.5 [5.5]	95%
16:1 to 100:1	117 [4.60]	5 max	3.0 [6.6]	90%

All dimensions are: mm (inch)  
 AD\*\* = Adapter length  
 Adapter length will vary depending on motor.  
 M.S.= Mounting Surface  
 Efficiency is calculated at 100% of the rated torque.

## Performance Specifications

Part Number	Ratio <sup>1</sup>	10,000 Hour Life			T peak Nm [in-lb]	20,000 Hour Life			J kg-cm <sup>2</sup> [in-lb-sec <sup>2</sup> x10 <sup>-4</sup> ]	Torsional Stiffness Nm/arc-min [in-lb/arc-min]
		T <sub>r</sub> (1000 rpm) Nm [in-lb]	T <sub>r</sub> (3000 rpm) Nm [in-lb]	T <sub>r</sub> (5000 rpm) Nm [in-lb]		T <sub>r</sub> (1000 rpm) Nm [in-lb]	T <sub>r</sub> (3000 rpm) Nm [in-lb]	T <sub>r</sub> (5000 rpm) Nm [in-lb]		
UT075-004	4:1	86 [762]	78 [689]	73 [649]	179 [1581]	84 [746]	74 [652]	63 [559]	.46 [ 4.1]	7,00 [61.9]
UT075-005	5:1	84 [740]	76 [672]	72 [636]	174 [1537]	82 [723]	74 [657]	66 [583]	.38 [ 3.4]	6,86 [60.7]
UT075-007	7:1	80 [706]	73 [646]	69 [615]	166 [1469]	78 [690]	71 [632]	68 [601]	.31 [ 2.8]	6,07 [53.7]
UT075-010	10:1	47 [418]	41 [360]	38 [335]	157 [1393]	44 [387]	38 [333]	35 [310]	.27 [ 2.4]	4,46 [39.5]
UT075-016	16:1	95 [838]	88 [780]	85 [749]	197 [1743]	93 [820]	86 [762]	83 [732]	.31 [ 2.8]	7,36 [65.1]
UT075-020	20:1	96 [849]	90 [792]	86 [762]	199 [1762]	94 [830]	88 [775]	84 [746]	.31 [ 2.8]	7,20 [63.7]
UT075-025	25:1	93 [820]	87 [767]	84 [740]	192 [1698]	91 [801]	85 [750]	82 [723]	.31 [ 2.8]	7,07 [62.6]
UT075-028	28:1	98 [864]	92 [811]	88 [782]	202 [1789]	96 [845]	90 [793]	86 [765]	.28 [ 2.5]	6,45 [57.1]
UT075-035	35:1	94 [834]	89 [784]	86 [758]	194 [1721]	92 [815]	87 [767]	84 [741]	.16 [ 1.4]	6,68 [59.1]
UT075-040	40:1	99 [880]	94 [829]	91 [802]	205 [1813]	97 [861]	92 [811]	89 [785]	.16 [ 1.4]	7,37 [65.2]
UT075-050	50:1	96 [849]	91 [801]	88 [777]	197 [1743]	94 [830]	89 [784]	86 [759]	.16 [ 1.4]	7,22 [63.9]
UT075-070	70:1	91 [802]	86 [760]	83 [738]	185 [1639]	89 [784]	84 [743]	82 [722]	.16 [ 1.4]	6,48 [57.3]
UT075-100	100:1	63 [554]	55 [486]	52 [456]	173 [1529]	58 [513]	51 [450]	48 [422]	.15 [ 1.3]	4,50 [39.8]

All ratios are available to ship in 24 hours through the Gearhead Express Program.

Sold & Serviced By:



Toll Free Phone (877) SERV098

Toll Free Fax (877) SERV099

www.electromate.com

sales@electromate.com

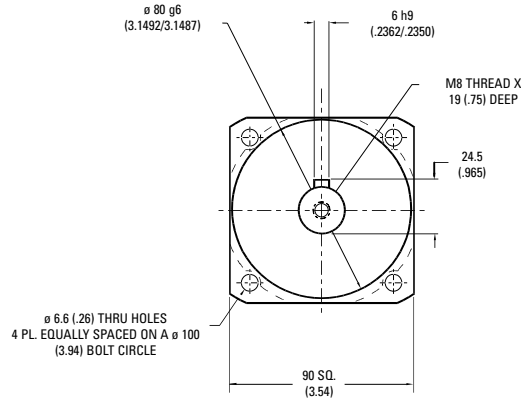
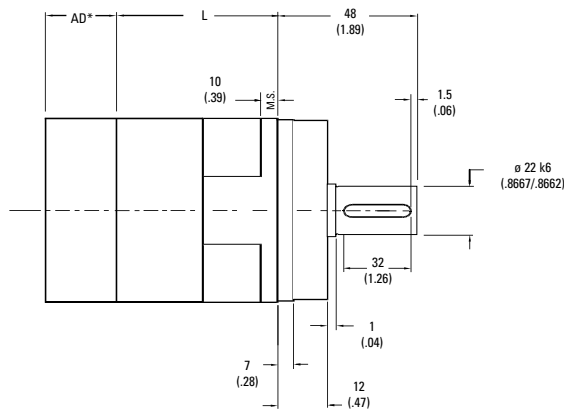
<sup>1</sup> Ratios are exact, higher ratios are also available, consult factory.  
 T<sub>r</sub> = Rated output torque at rated speed for specific hours of life.

T<sub>peak</sub> = Allowable momentary peak torque for emergency stop or heavy shock loading.  
 J = Mass moment of inertia reflected to the input shaft (including pinion assembly).

# UltraTRUE™ Size 90

## Helical True Planetary™ Gearheads

Metric



Ratio <sup>1</sup>	Dimension 'L' mm [in]	Backlash [arc-min]	Weight kg [lb]	Efficiency
4:1 to 10:1	68 [2.66]	4 max	2,5 [5.5]	95%
16:1 to 100:1	125 [4.91]	5 max	3,0 [6.6]	90%

All dimensions are: mm (inch)  
 AD\*\* = Adapter length  
 Adapter length and width will vary depending on motor.  
 M.S. = Mounting Surface  
 Efficiency is calculated at 100% of the rated torque.

## Performance Specifications

Part Number	Ratio <sup>1</sup>	10,000 Hour Life				T peak Nm [in-lb]	20,000 Hour Life			J kg-cm <sup>2</sup> [in-lb-sec <sup>2</sup> ×10 <sup>-4</sup> ]	Torsional Stiffness Nm/arc-min [in-lb/arc-min]
		T <sub>r</sub> (1000 rpm) Nm [in-lb]	T <sub>r</sub> (3000 rpm) Nm [in-lb]	T <sub>r</sub> (5000 rpm) Nm [in-lb]	T <sub>r</sub> (1000 rpm) Nm [in-lb]		T <sub>r</sub> (3000 rpm) Nm [in-lb]	T <sub>r</sub> (5000 rpm) Nm [in-lb]			
UT090-004	4:1	86 [762]	78 [689]	73 [649]	179 [1581]	84 [746]	74 [652]	63 [559]	,46 [4.1]	7,00 [61.9]	
UT090-005	5:1	84 [740]	76 [672]	72 [636]	174 [1537]	82 [723]	74 [657]	66 [583]	,38 [3.4]	6,86 [60.7]	
UT090-007	7:1	80 [706]	73 [646]	69 [615]	166 [1469]	78 [690]	71 [632]	68 [601]	,31 [2.8]	6,07 [53.7]	
UT090-010	10:1	47 [418]	41 [360]	38 [335]	157 [1393]	44 [387]	38 [333]	35 [310]	,27 [2.4]	4,46 [39.5]	
UT090-016	16:1	95 [838]	88 [780]	85 [749]	197 [1743]	93 [820]	86 [762]	83 [732]	,31 [2.8]	7,36 [65.1]	
UT090-020	20:1	96 [849]	90 [792]	86 [762]	199 [1762]	94 [830]	88 [775]	84 [746]	,31 [2.8]	7,20 [63.7]	
UT090-025	25:1	93 [820]	87 [767]	84 [740]	192 [1698]	91 [801]	85 [750]	82 [723]	,31 [2.8]	7,07 [62.6]	
UT090-028	28:1	98 [864]	92 [811]	88 [782]	202 [1789]	96 [845]	90 [793]	86 [765]	,28 [2.5]	6,45 [57.1]	
UT090-035	35:1	94 [834]	89 [784]	86 [758]	194 [1721]	92 [815]	87 [767]	84 [741]	,16 [1.4]	6,68 [59.1]	
UT090-040	40:1	99 [880]	94 [829]	91 [802]	205 [1813]	97 [861]	92 [811]	89 [785]	,16 [1.4]	7,37 [65.2]	
UT090-050	50:1	96 [849]	91 [801]	88 [777]	197 [1743]	94 [830]	89 [784]	86 [759]	,16 [1.4]	7,22 [63.9]	
UT090-070	70:1	91 [802]	86 [760]	83 [738]	185 [1639]	89 [784]	84 [743]	82 [722]	,16 [1.4]	6,48 [57.3]	
UT090-100	100:1	63 [554]	55 [486]	52 [456]	173 [1529]	58 [513]	51 [450]	48 [422]	,15 [1.3]	4,50 [39.8]	

Sold & Serviced By:



Toll Free Phone (877) SERV098

Toll Free Fax (877) SERV099

www.electromate.com

sales@electromate.com

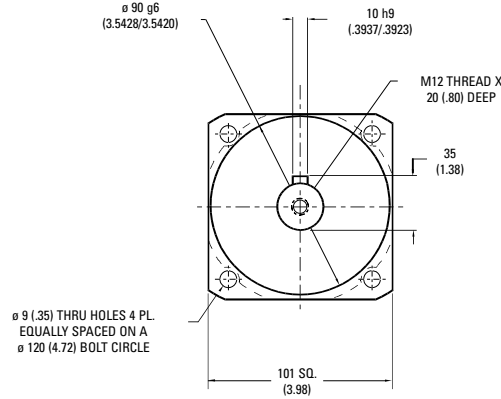
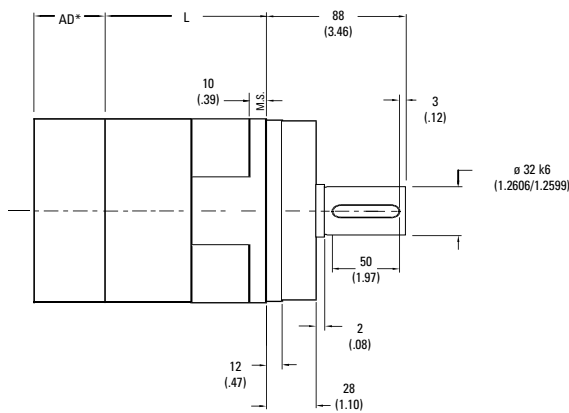
<sup>1</sup> Ratios are exact, higher ratios are also available, consult factory.  
 T<sub>r</sub> = Rated output torque at rated speed for specific hours of life.

T<sub>peak</sub> = Allowable momentary peak torque for emergency stop or heavy shock loading.  
 J = Mass moment of inertia reflected to the input shaft (including pinion assembly).

# UltraTRUE™ Size 10

## Helical True Planetary™ Gearheads

Metric



Ratio <sup>1</sup>	Dimension 'L' mm [in]	Backlash [arc-min]	Weight kg [lb]	Efficiency
4:1 to 10:1	78 [3.07]	4 max	6 [13]	95%
16:1 to 100:1	146 [5.75]	5 max	8 [18]	90%

All dimensions are: mm (inch)  
 AD\*\* = Adapter length  
 Adapter length and width will vary depending on motor.  
 M.S. = Mounting Surface  
 Efficiency is calculated at 100% of the rated torque.

### Performance Specifications

Part Number	Ratio <sup>1</sup>	10,000 Hour Life			T peak Nm [in-lb]	20,000 Hour Life			J kg-cm <sup>2</sup> [in-lb-sec <sup>2</sup> x10 <sup>-4</sup> ]	Torsional Stiffness Nm/arc-min [in-lb/arc-min]
		T <sub>r</sub> (1000 rpm) Nm [in-lb]	T <sub>r</sub> (3000 rpm) Nm [in-lb]	T <sub>r</sub> (5000 rpm) Nm [in-lb]		T <sub>r</sub> (1000 rpm) Nm [in-lb]	T <sub>r</sub> (3000 rpm) Nm [in-lb]	T <sub>r</sub> (5000 rpm) Nm [in-lb]		
UT010-004	4:1	252 [2229]	217 [1922]	186 [1649]	514 [4548]	245 [2171]	176 [1561]	151 [1340]	1,58 [14.0]	25,7 [227]
UT010-005	5:1	245 [2168]	220 [1950]	194 [1720]	501 [4434]	240 [2120]	184 [1628]	158 [1397]	1,36 [12.0]	22,8 [202]
UT010-007	7:1	234 [2074]	213 [1882]	201 [1780]	481 [4256]	229 [2028]	196 [1736]	168 [1489]	,97 [ 8.6]	21,1 [187]
UT010-010	10:1	138 [1220]	118 [1048]	110 [971]	457 [4044]	128 [1129]	110 [969]	102 [898]	,90 [ 8.0]	14,4 [128]
UT010-016	16:1	279 [2471]	258 [2284]	247 [2184]	575 [5085]	273 [2416]	252 [2233]	229 [2030]	1,10 [9.7]	27,3 [242]
UT010-020	20:1	283 [2505]	263 [2325]	252 [2229]	582 [5152]	277 [2450]	257 [2273]	245 [2171]	1,10 [9.7]	24,3 [215]
UT010-025	25:1	274 [2422]	255 [2256]	245 [2168]	562 [4974]	268 [2368]	249 [2206]	240 [2120]	1,10 [9.7]	24,3 [215]
UT010-028	28:1	289 [2554]	269 [2384]	259 [2293]	592 [5242]	282 [2498]	263 [2331]	253 [2242]	,94 [8.3]	21,1 [187]
UT010-035	35:1	279 [2468]	261 [2310]	252 [2227]	571 [5054]	273 [2413]	255 [2259]	246 [2177]	,79 [7.0]	20,9 [185]
UT010-040	40:1	294 [2604]	276 [2442]	266 [2357]	602 [5327]	288 [2546]	270 [2388]	260 [2305]	,79 [7.0]	27,4 [243]
UT010-050	50:1	284 [2514]	267 [2364]	258 [2286]	579 [5128]	278 [2458]	261 [2312]	253 [2235]	,78 [6.9]	24,1 [213]
UT010-070	70:1	269 [2380]	254 [2246]	246 [2177]	546 [4832]	263 [2327]	248 [2197]	241 [2129]	,78 [6.9]	21,1 [187]
UT010-100	100:1	184 [1626]	161 [1423]	151 [1335]	510 [4510]	170 [1504]	149 [1317]	140 [1235]	,78 [6.9]	17,2 [152]

All ratios are available to ship in 24 hours through the Gearhead Express Program.

Sold & Serviced By:



Toll Free Phone (877) SERV098

Toll Free Fax (877) SERV099

www.electromate.com

sales@electromate.com

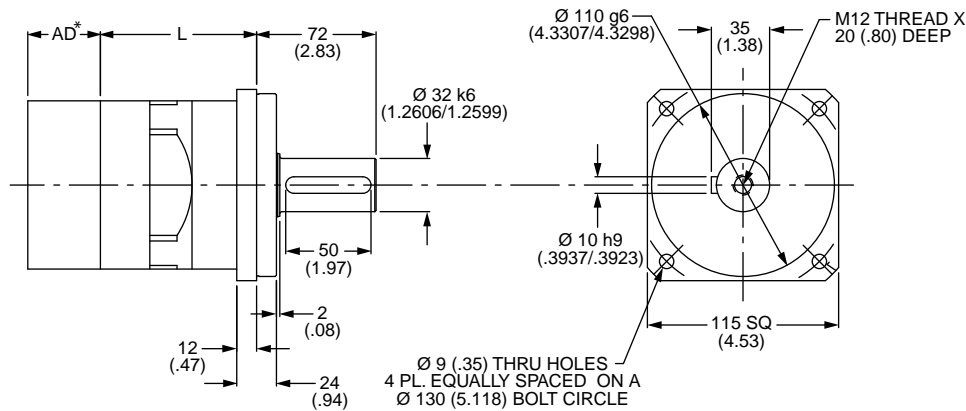
<sup>1</sup> Ratios are exact, higher ratios are also available, consult factory.  
 T<sub>r</sub> = Rated output torque at rated speed for specific hours of life.

T<sub>peak</sub> = Allowable momentary peak torque for emergency stop or heavy shock loading.  
 J = Mass moment of inertia reflected to the input shaft (including pinion assembly).

# UltraTRUE™ Size 115

## Helical True Planetary™ Gearheads

Metric



Ratio <sup>1</sup>	Dimension 'L' mm [in]	Backlash [arc-min]	Weight kg [lb]	Efficiency
4:1 to 10:1	94 [3.70]	4 max	6 [13]	95%
16:1 to 100:1	162 [6.38]	5 max	6 [18]	88%

All dimensions are: mm (inch)  
 AD\*\* = Adapter length  
 Adapter length and width will vary depending on motor.  
 M.S.= Mounting Surface  
 Efficiency is calculated at 100% of the rated torque.

## Performance Specifications

Part Number	Ratio <sup>1</sup>	10,000 Hour Life			T <sub>peak</sub> Nm [in-lb]	20,000 Hour Life			J kg-cm <sup>2</sup> [in-lb-sec <sup>2</sup> x10 <sup>-4</sup> ]	Torsional Stiffness Nm/arc-min [in-lb/arc-min]
		T <sub>r</sub> (1000 rpm) Nm [in-lb]	T <sub>r</sub> (3000 rpm) Nm [in-lb]	T <sub>r</sub> (5000 rpm) Nm [in-lb]		T <sub>r</sub> (1000 rpm) Nm [in-lb]	T <sub>r</sub> (3000 rpm) Nm [in-lb]	T <sub>r</sub> (5000 rpm) Nm [in-lb]		
UT115-004	4:1	252 [2229]	217 [1922]	186 [1649]	514 [4548]	245 [2171]	176 [1561]	151 [1340]	1,58 [14.0]	25,7 [227]
UT115-005	5:1	245 [2168]	220 [1950]	194 [1720]	501 [4434]	240 [2120]	184 [1628]	158 [1397]	1,36 [12.0]	22,8 [202]
UT115-007	7:1	234 [2074]	213 [1882]	201 [1780]	481 [4256]	229 [2028]	196 [1736]	168 [1489]	,97 [ 8.6]	21,1 [187]
UT115-010	10:1	138 [1220]	118 [1048]	110 [971]	457 [4044]	128 [1129]	110 [969]	102 [898]	,90 [ 8.0]	14,4 [128]
UT115-016	16:1	279 [2471]	258 [2284]	247 [2184]	575 [5085]	273 [2416]	252 [2233]	229 [2030]	1,10 [9.7]	27,3 [242]
UT115-020	20:1	283 [2505]	263 [2325]	252 [2229]	582 [5152]	277 [2450]	257 [2273]	245 [2171]	1,10 [9.7]	24,3 [215]
UT115-025	25:1	274 [2422]	255 [2256]	245 [2168]	562 [4974]	268 [2368]	249 [2206]	240 [2120]	1,10 [9.7]	24,3 [215]
UT115-028	28:1	289 [2554]	269 [2384]	259 [2293]	592 [5242]	282 [2498]	263 [2331]	253 [2242]	,94 [8.3]	21,1 [187]
UT115-035	35:1	279 [2468]	261 [2310]	252 [2227]	571 [5054]	273 [2413]	255 [2259]	246 [2177]	,79 [7.0]	20,9 [185]
UT115-040	40:1	294 [2604]	276 [2442]	266 [2357]	602 [5327]	288 [2546]	270 [2388]	260 [2305]	,79 [7.0]	27,4 [243]
UT115-050	50:1	284 [2514]	267 [2364]	258 [2286]	579 [5128]	278 [2458]	261 [2312]	253 [2235]	,78 [6.9]	24,1 [213]
UT115-070	70:1	269 [2380]	254 [2246]	246 [2177]	546 [4832]	263 [2327]	248 [2197]	241 [2129]	,78 [6.9]	21,1 [187]
UT115-100	100:1	184 [1626]	161 [1423]	151 [1335]	510 [4510]	170 [1504]	149 [1317]	140 [1235]	,78 [6.9]	17,2 [152]

Sold & Serviced By:



Toll Free Phone (877) SERV098

Toll Free Fax (877) SERV099

www.electromate.com

sales@electromate.com

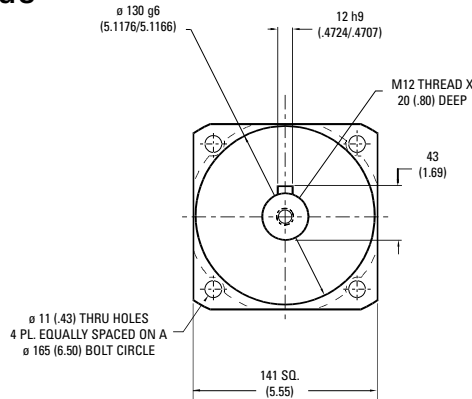
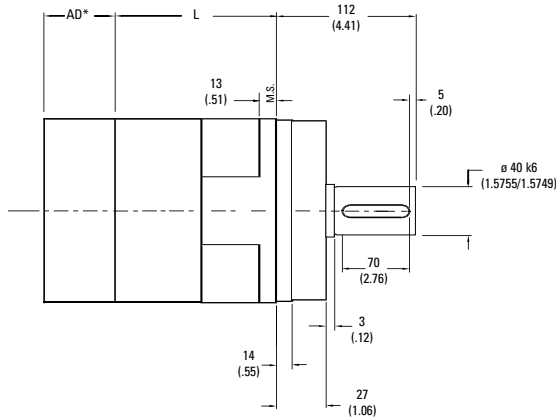
<sup>1</sup> Ratios are exact, higher ratios are also available, consult factory.  
 T<sub>r</sub> = Rated output torque at rated speed for specific hours of life.

T<sub>peak</sub> = Allowable momentary peak torque for emergency stop or heavy shock loading.  
 J = Mass moment of inertia reflected to the input shaft (including pinion assembly).

# UltraTRUE™ Size 14

## Helical True Planetary™ Gearheads

Metric



Ratio <sup>1</sup>	Dimension 'L' mm [in]	Backlash [arc-min]	Weight kg [lb]	Efficiency
4:1 to 10:1	110,5 [4.35]	4 max	14 [31]	95%
16:1 to 100:1	195 [7.69]	5 max	18 [40]	90%

All dimensions are: mm (inch)  
 AD\*\* = Adapter length  
 Adapter length and width will vary depending on motor.  
 M.S.= Mounting Surface  
 Efficiency is calculated at 100% of the rated torque.

## Performance Specifications

Part Number	Ratio <sup>1</sup>	10,000 Hour Life			T peak Nm [in-lb]	20,000 Hour Life			J kg-cm <sup>2</sup> [in-lb-sec <sup>2</sup> x10 <sup>-4</sup> ]	Torsional Stiffness Nm/arc-min [in-lb/arc-min]
		T <sub>r</sub> (1000 rpm) Nm [in-lb]	T <sub>r</sub> (3000 rpm) Nm [in-lb]	T <sub>r</sub> (5000 rpm) Nm [in-lb]		T <sub>r</sub> (1000 rpm) Nm [in-lb]	T <sub>r</sub> (3000 rpm) Nm [in-lb]	T <sub>r</sub> (5000 rpm) Nm [in-lb]		
UT014-004	4:1	588 [5207]	521 [4613]	454 [4022]	1184 [10,479]	575 [5092]	430 [3808]	369 [3267]	6,51 [57.6]	55 [487]
UT014-005	5:1	572 [5066]	511 [4519]	474 [4191]	1156 [10,229]	560 [4954]	448 [3968]	385 [3404]	5,02 [44.4]	51 [452]
UT014-007	7:1	549 [4857]	494 [4375]	466 [4120]	1113 [9851]	537 [4749]	478 [4232]	410 [3631]	3,80 [33.6]	47 [420]
UT014-010	10:1	329 [2913]	282 [2492]	260 [2304]	1062 [9399]	305 [2696]	261 [2306]	241 [2132]	3,39 [30.0]	35 [311]
UT014-016	16:1	657 [5817]	604 [5346]	576 [5095]	1340 [11,860]	643 [5688]	591 [5227]	559 [4951]	4,21 [37.2]	58 [514]
UT014-020	20:1	667 [5902]	616 [5449]	588 [5207]	1360 [12,035]	652 [5772]	602 [5328]	575 [5092]	4,07 [36.0]	54 [479]
UT014-025	25:1	645 [5706]	598 [5288]	572 [5066]	1314 [11,625]	630 [5579]	584 [5171]	560 [4954]	4,07 [36.0]	54 [479]
UT014-028	28:1	681 [6026]	632 [5597]	607 [5369]	1387 [12,274]	666 [5892]	618 [5473]	593 [5250]	3,53 [31.2]	47 [417]
UT014-035	35:1	658 [5820]	613 [5424]	589 [5215]	1338 [11,837]	643 [5691]	599 [5304]	576 [5099]	2,99 [26.4]	44 [391]
UT014-040	40:1	695 [6150]	649 [5745]	625 [5530]	1412 [12,498]	680 [6014]	635 [5617]	611 [5408]	2,99 [26.4]	58 [512]
UT014-050	50:1	671 [5935]	628 [5560]	606 [5363]	1360 [12,034]	656 [5803]	614 [5437]	593 [5244]	2,85 [25.2]	54 [479]
UT014-070	70:1	635 [5623]	598 [5291]	578 [5118]	1283 [11,359]	621 [5499]	585 [5174]	565 [5004]	2,85 [25.2]	49 [435]
UT014-100	100:1	441 [3898]	385 [3407]	361 [3193]	1201 [10,627]	408 [3607]	356 [3153]	334 [2954]	2,85 [25.2]	35 [312]

All ratios are available to ship in 24 hours through the Gearhead Express Program.

Sold & Serviced By:



Toll Free Phone (877) SERV098

Toll Free Fax (877) SERV099

www.electromate.com

sales@electromate.com

<sup>1</sup> Ratios are exact, higher ratios are also available, consult factory.  
 T<sub>r</sub> = Rated output torque at rated speed for specific hours of life.

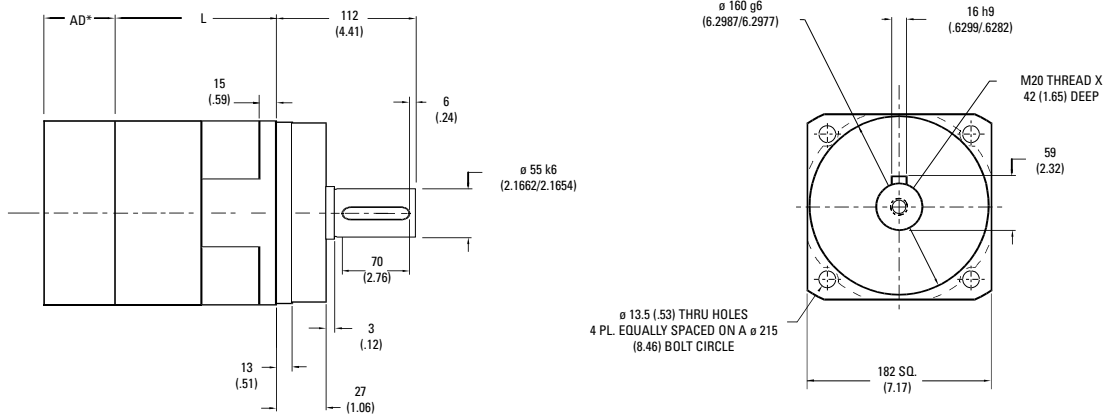
T<sub>peak</sub> = Allowable momentary peak torque for emergency stop or heavy shock loading.  
 J = Mass moment of inertia reflected to the input shaft (including pinion assembly).



# UltraTRUE™ Size 18

## Helical True Planetary™ Gearheads

Metric



Ratio <sup>1</sup>	Dimension 'L' in [mm]	Backlash [arc-min]	Weight lb [kg]	Efficiency
4:1 to 10:1	136 [5.35]	4 max	40 [88]	95%
16:1 to 100:1	244 [9.59]	5 max	45 [99]	90%

All dimensions are: mm (inch)  
 AD\*\* = Adapter length  
 Adapter length and width will vary depending on motor.  
 M.S.= Mounting Surface  
 Efficiency is calculated at 100% of the rated torque.

## Performance Specifications

Part Number	Ratio <sup>1</sup>	10,000 Hour Life			T peak Nm [in-lb]	20,000 Hour Life			J kg-cm <sup>2</sup> [in-lb-sec <sup>2</sup> x10 <sup>-4</sup> ]	Torsional Stiffness Nm/arc-min [in-lb/arc-min]
		T <sub>r</sub> (1000 rpm) Nm [in-lb]	T <sub>r</sub> (3000 rpm) Nm [in-lb]	T <sub>r</sub> (5000 rpm) Nm [in-lb]		T <sub>r</sub> (1000 rpm) Nm [in-lb]	T <sub>r</sub> (3000 rpm) Nm [in-lb]	T <sub>r</sub> (5000 rpm) Nm [in-lb]		
UT018-004	4:1	1368 [12108]	1184 [10476]	1016 [8988]	2713 [24010]	1337 [11832]	962 [8509]	825 [7300]	25,9 [229]	153 [1358]
UT018-005	5:1	1333 [11800]	1179 [10430]	1058 [9366]	2654 [23492]	1304 [11539]	1002 [8868]	860 [7608]	20,0 [177]	150 [1330]
UT018-007	7:1	1281 [11338]	1144 [10128]	1073 [9494]	2565 [22699]	1253 [11087]	1069 [9458]	917 [8114]	14,6 [129]	134 [1185]
UT018-010	10:1	775 [6856]	660 [5841]	609 [5387]	2456 [21734]	717 [6344]	611 [5404]	563 [4984]	13,0 [115]	101 [893]
UT018-016	16:1	1541 [13641]	1408 [12457]	1336 [11827]	3111 [27532]	1507 [13339]	1376 [12181]	1250 [11065]	16,1 [142]	161 [1429]
UT018-020	20:1	1566 [13855]	1437 [12716]	1368 [12108]	3162 [27986]	1531 [13549]	1405 [12434]	1337 [11832]	15,6 [138]	156 [1382]
UT018-025	25:1	1515 [13407]	1396 [12359]	1333 [11800]	3060 [27078]	1481 [13110]	1366 [12085]	1304 [11539]	15,6 [138]	131 [1160]
UT018-028	28:1	1600 [14164]	1479 [13088]	1414 [12515]	3233 [28612]	1565 [13851]	1446 [12798]	1383 [12237]	13,5 [119]	138 [1225]
UT018-035	35:1	1547 [13691]	1435 [12701]	1376 [12174]	3122 [27633]	1513 [13388]	1403 [12420]	1345 [11904]	11,4 [101]	124 [1098]
UT018-040	40:1	1636 [14475]	1521 [13460]	1460 [12920]	3300 [29201]	1599 [14154]	1487 [13162]	1428 [12634]	11,4 [101]	161 [1429]
UT018-050	50:1	1579 [13978]	1474 [13042]	1418 [12547]	3181 [28153]	1544 [13668]	1441 [12754]	1386 [12269]	10,9 [96]	156 [1382]
UT018-070	70:1	1498 [13256]	1404 [12429]	1355 [11993]	3008 [26621]	1465 [12963]	1373 [12154]	1325 [11728]	10,9 [96]	138 [1225]
UT018-100	100:1	1042 [9218]	909 [8043]	851 [7528]	2819 [24949]	964 [8529]	841 [7442]	787 [6966]	10,9 [96]	103 [908]

Sold & Serviced By:



Toll Free Phone (877) SERV098

Toll Free Fax (877) SERV099

www.electromate.com

sales@electromate.com

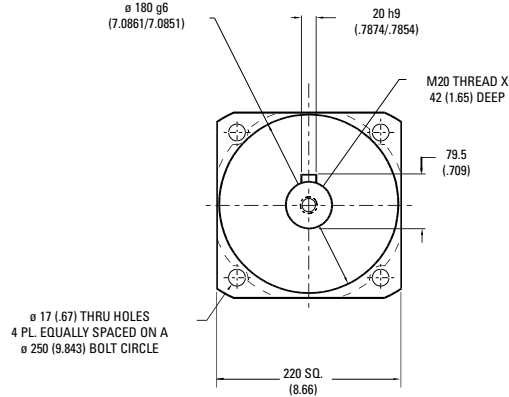
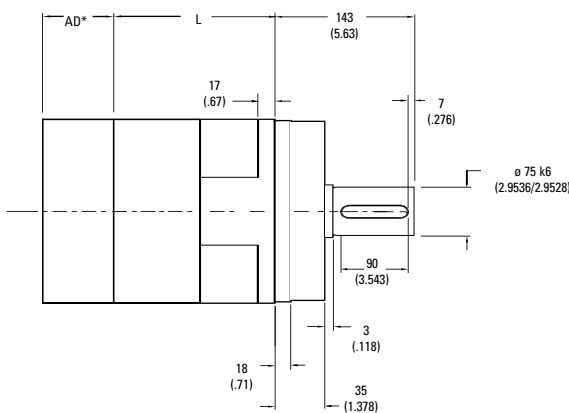
<sup>1</sup> Ratios are exact, higher ratios are also available, consult factory.  
 T<sub>r</sub> = Rated output torque at rated speed for specific hours of life.

T<sub>peak</sub> = Allowable momentary peak torque for emergency stop or heavy shock loading.  
 J = Mass moment of inertia reflected to the input shaft (including pinion assembly).

# UltraTRUE™ Size 22

## Helical True Planetary™ Gearheads

Metric



Ratio <sup>1</sup>	Dimension 'L' mm [in]	Backlash [arc-min]	Weight kg [lb]	Efficiency
4:1 to 10:1	131 [5.15]	4 max	74 [162]	93%
16:1 to 100:1	232 [9.13]	5 max	95 [209]	88%

All dimensions are: mm (inch)  
 AD\*\* = Adapter length  
 Adapter length will vary depending on motor.  
 M.S. = Mounting Surface  
 Efficiency is calculated at 100% of the rated torque.

## Performance Specifications

Part Number	Ratio <sup>1</sup>	10,000 Hour Life			T peak Nm [in-lb]	20,000 Hour Life			J kg-cm <sup>2</sup> [in-lb-sec <sup>2</sup> x10 <sup>-4</sup> ]	Torsional Stiffness Nm/arc-min [in-lb/arc-min]
		T <sub>r</sub> (1000 rpm) Nm [in-lb]	T <sub>r</sub> (3000 rpm) Nm [in-lb]	T <sub>r</sub> (5000 rpm) Nm [in-lb]		T <sub>r</sub> (1000 rpm) Nm [in-lb]	T <sub>r</sub> (3000 rpm) Nm [in-lb]	T <sub>r</sub> (5000 rpm) Nm [in-lb]		
UT022-004	4:1	2256 [19694]	1786 [15806]	1532 [13560]	4644 [41096]	2017 [17850]	1451 [12838]	1245 [11014]	87,0 [7.70]	429 [3793]
UT022-005	5:1	2181 [19300]	1862 [16475]	1596 [14125]	4548 [40250]	2102 [18600]	1511 [13375]	1297 [11475]	73,4 [6.50]	414 [3661]
UT022-007	7:1	2090 [18496]	1857 [16432]	1703 [15073]	4370 [38671]	2042 [18075]	1613 [14271]	1383 [12243]	62,6 [5.55]	363 [3212]
UT022-010	10:1	1263 [11178]	1072 [9488]	987 [8737]	4301 [38060]	1167 [10325]	992 [8779]	914 [8085]	56,9 [5.04]	253 [2235]
UT022-016	16:1	2521 [20292]	2293 [20292]	2170 [19202]	5247 [46437]	2464 [21805]	2199 [19459]	1886 [16694]	87,3 [7.73]	436 [3858]
UT022-020	20:1	2561 [20732]	2343 [20732]	2224 [19683]	5323 [47107]	2504 [22164]	2291 [20273]	2017 [17850]	73,6 [6.52]	436 [3856]
UT022-025	25:1	2484 [20205]	2283 [20205]	2174 [19239]	5151 [45583]	2427 [21480]	2232 [19757]	2102 [18605]	73,1 [6.47]	418 [3699]
UT022-028	28:1	2620 [21365]	2414 [21365]	2302 [20375]	5427 [48027]	2560 [22660]	2361 [20892]	2231 [19476]	62,7 [5.55]	435 [3854]
UT022-035	35:1	2541 [20788]	2349 [20788]	2246 [19878]	5243 [46397]	2481 [21961]	2297 [20327]	2196 [19438]	62,5 [5.53]	418 [3698]
UT022-040	40:1	2680 [21998]	2486 [21998]	2381 [21069]	5524 [48888]	2619 [23182]	2431 [21510]	2328 [20602]	57,2 [5.06]	435 [3851]
UT022-050	50:1	2595 [21371]	2415 [21371]	2318 [20516]	5328 [47156]	2536 [22443]	2361 [20898]	2267 [20062]	57,1 [5.05]	418 [3696]
UT022-070	70:1	2461 [20373]	2302 [20373]	2217 [19623]	5025 [44470]	2405 [21288]	2251 [19922]	2168 [19189]	57,0 [5.04]	366 [3226]
UT022-100	100:1	1666 [13121]	1483 [13121]	1387 [12273]	4852 [42941]	1571 [13902]	1369 [12116]	1283 [11356]	56,9 [5.04]	253 [2238]

Sold & Serviced By:



Toll Free Phone (877) SERV098

Toll Free Fax (877) SERV099

www.electromate.com

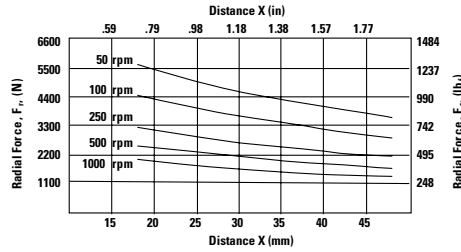
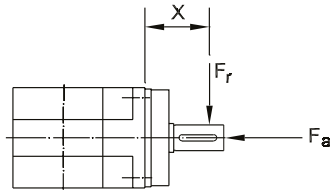
sales@electromate.com

<sup>1</sup> Ratios are exact, higher ratios are also available, consult factory.  
 T<sub>r</sub> = Rated output torque at rated speed for specific hours of life.

T<sub>peak</sub> = Allowable momentary peak torque for emergency stop or heavy shock loading.  
 J = Mass moment of inertia reflected to the input shaft (including pinion assembly).

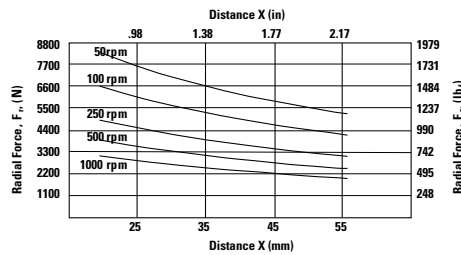
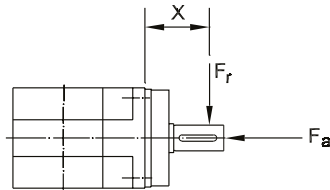
# Radial and Axial Load Ratings

## UT006



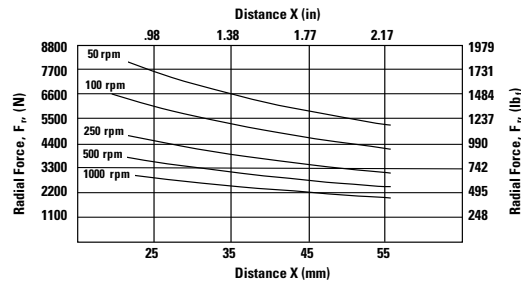
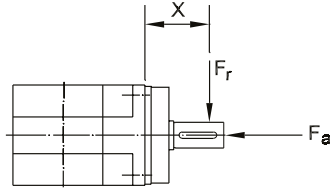
Speed rpm	Axial Load, $F_a$ N [lb <sub>f</sub> ]
50	7198 [1618]
100	5710 [1284]
250	4208 [946]
500	3342 [751]
1000	2652 [596]

## UT075



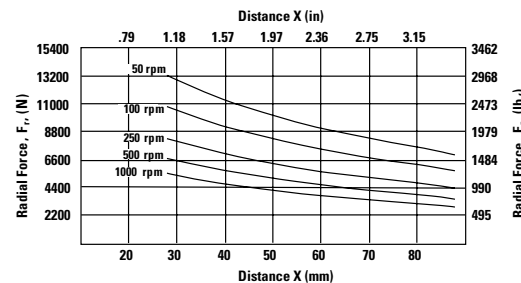
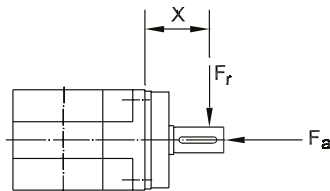
Speed rpm	Axial Load, $F_a$ N [lb <sub>f</sub> ]
50	9903 [2227]
100	7863 [1768]
250	5793 [1303]
500	4599 [1034]
1000	3650 [821]

## UT090



Speed rpm	Axial Load, $F_a$ N [lb <sub>f</sub> ]
50	9903 [2227]
100	7863 [1768]
250	5793 [1303]
500	4599 [1034]
1000	3650 [821]

## UT010

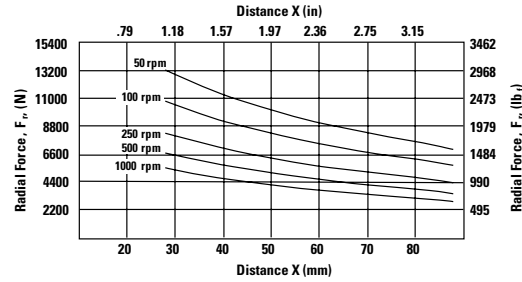
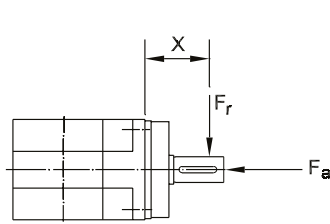


Speed rpm	Axial Load, $F_a$ N [lb <sub>f</sub> ]
50	13,675 [3075]
100	11,107 [2497]
250	8435 [1897]
500	6855 [1542]
1000	5568 [1252]

These graphs display the allowable radial load at a given distance (X) from the mounting surface based on an  $L_{10}$  life of 10,000 hours for the mean output speed  $n_{mout}$ , as described on page 10.

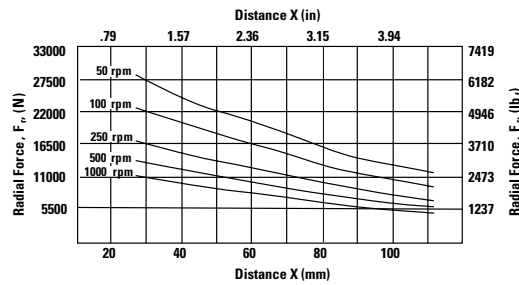
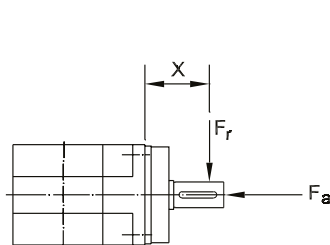
# Radial and Axial Load Ratings

## UT115



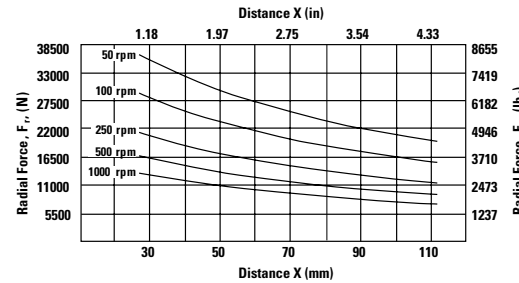
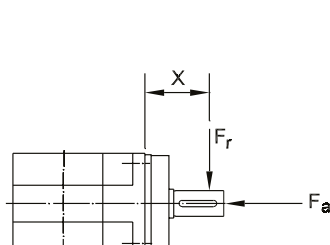
Speed rpm	Axial Load, $F_a$ N [lb <sub>f</sub> ]
50	13,675 [3075]
100	11,107 [2497]
250	8435 [1897]
500	6855 [1542]
1000	5568 [1252]

## UT014



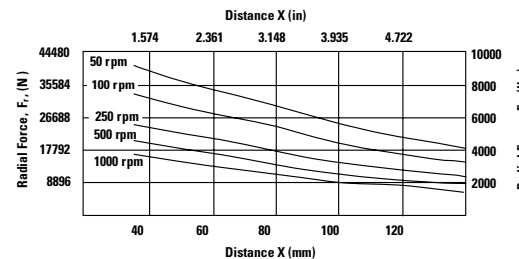
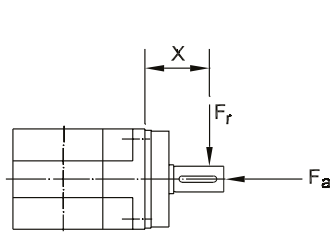
Speed rpm	Axial Load, $F_a$ N [lb <sub>f</sub> ]
50	25,374 [5705]
100	20,609 [4633]
250	15,657 [3520]
500	12,716 [2859]
1000	10,329 [2322]

## UT018



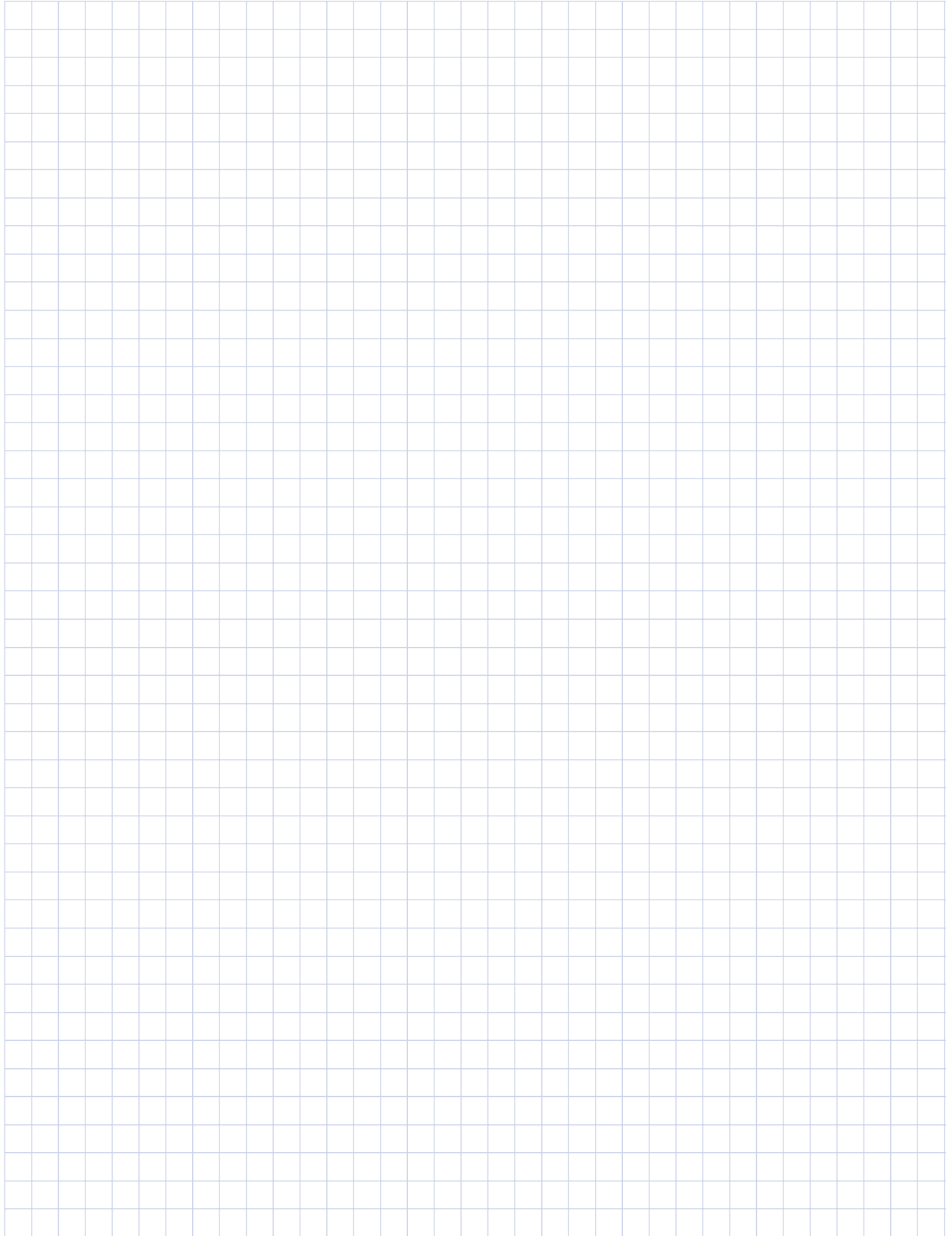
Speed rpm	Axial Load, $F_a$ N [lb <sub>f</sub> ]
50	34,538 [7765]
100	27,414 [6163]
250	20,197 [4541]
500	16,034 [3605]
1000	12,726 [2861]

## UT022



Speed rpm	Axial Load, $F_a$ N [lb <sub>f</sub> ]
50	32,351 [3655]
100	26,277 [2969]
250	19,962 [2256]
500	16,214 [1832]

These graphs display the allowable radial load at a given distance (X) from the mounting surface based on an  $L_{10}$  life of 10,000 hours for the mean output speed  $n_{mout}$ , as described on page 10.

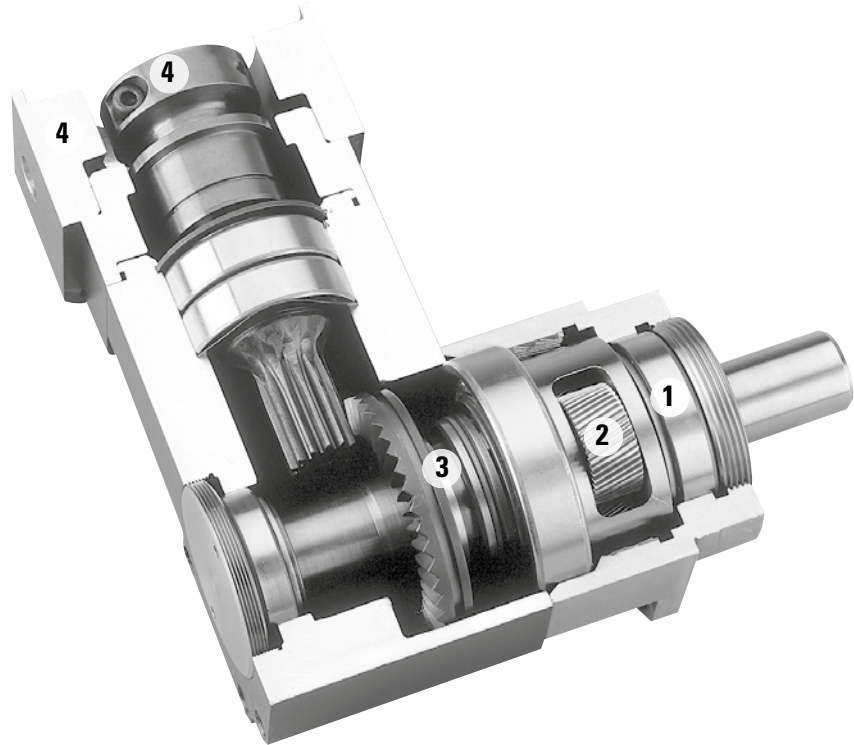


# UltraTRUE 90™

## Helical Right Angle Gearheads

Ready for Immediate Delivery	
<b>Precision</b>	4 arc-minutes
<b>Frame Sizes</b>	60mm, 75mm, 90mm, 100mm, 115mm, 142mm and 180mm
<b>Torque Capacity</b>	up to 3111 Nm
<b>Ratio Availability</b>	1:1 thru 50:1
<b>Radial load capacity</b>	up to 37910 N
<b>Mounting System</b>	RediMount™

- 1 Tapered roller bearings**  
provide high axial and radial load carrying capacity
- 2 Helical crowned**  
HRC 55-60 steel gears  
provide higher torque capacity and smoother operation
- 3 PowerTRUE™ gear technology**  
provides high torque capacity in a compact package
- 4 RediMount™ system**  
provides error-free motor installation



Sold & Serviced By:

 **ELECTROMATE**

Toll Free Phone (877) SERV098

Toll Free Fax (877) SERV099

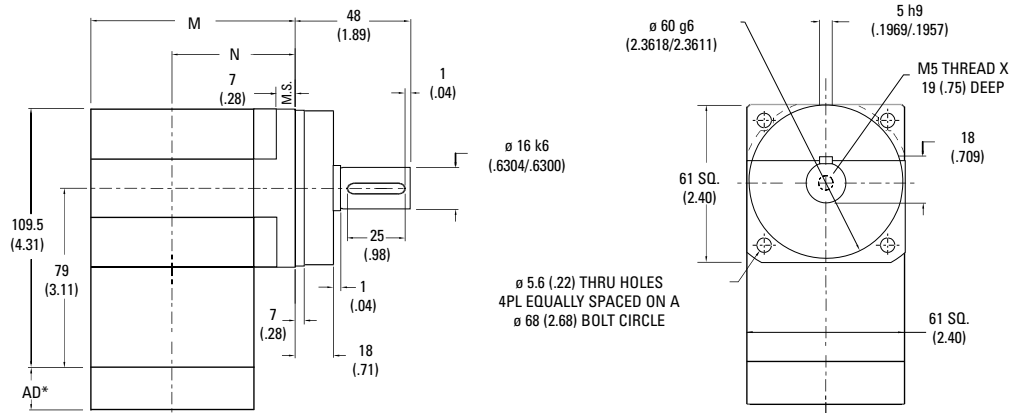
[www.electromate.com](http://www.electromate.com)

[sales@electromate.com](mailto:sales@electromate.com)

# UltraTRUE 90™ Size 60

## Helical Right Angle Gearheads

Metric



Ratio <sup>1</sup>	Dimension 'M' mm [in]	Dimension 'N' mm [in]	Backlash [arc-min]	Weight kg [lb]	Efficiency
1:1 to 5:1	86 [3.38]	55 [2.18]	4 max	2,5 [5.5]	98%
8:1 to 50:1	95 [3.75]	65 [2.55]	5 max	3 [6.6]	93%

All dimensions are: mm (inch)  
 AD\*\* = Adapter length  
 Adapter length will vary depending on motor.  
 M.S.= Mounting Surface  
 Efficiency is calculated at 100% of the rated torque.

## Performance Specifications

Part Number	Ratio <sup>1</sup>	10,000 Hour Life			T peak Nm [in-lb]	20,000 Hour Life			J kg-cm <sup>2</sup> [in-lb-sec <sup>2</sup> x10 <sup>-4</sup> ]	Torsional Stiffness Nm/arc-min [in-lb/arc-min]
		T <sub>r</sub> (1000 rpm) Nm [in-lb]	T <sub>r</sub> (3000 rpm) Nm [in-lb]	T <sub>r</sub> (5000 rpm) Nm [in-lb]		T <sub>r</sub> (1000 rpm) Nm [in-lb]	T <sub>r</sub> (3000 rpm) Nm [in-lb]	T <sub>r</sub> (5000 rpm) Nm [in-lb]		
UTR006-001	1:1	9 [77]	8 [70]	7 [64]	28 [247]	8 [71]	7 [65]	7 [59]	,97 [8.4]	2,1 [19]
UTR006-002	2:1	19 [170]	17 [155]	16 [140]	52 [456]	18 [157]	16 [143]	15 [129]	,50 [4.3]	3,2 [29]
UTR006-003	3:1	12 [108]	11 [99]	10 [89]	39 [342]	11 [100]	10 [91]	9 [82]	,43 [3.7]	3,6 [32]
UTR006-004	4:1	9 [80]	8 [73]	7 [66]	34 [301]	8 [73]	8 [67]	7 [61]	,40 [3.4]	3,8 [34]
UTR006-005	5:1	7 [65]	7 [60]	6 [54]	26 [228]	7 [60]	6 [55]	6 [50]	,39 [3.4]	3,9 [35]
UTR006-008	8:1	51 [447]	47 [413]	45 [394]	106 [938]	49 [438]	45 [397]	38 [340]	,50 [4.4]	2,1 [18]
UTR006-010	10:1	49 [433]	45 [401]	43 [384]	102 [906]	48 [423]	44 [392]	40 [355]	,49 [4.4]	1,8 [16]
UTR006-012	12:1	49 [432]	45 [394]	40 [356]	109 [961]	45 [399]	41 [364]	37 [329]	,39 [3.5]	2,0 [18]
UTR006-014	14:1	46 [411]	43 [383]	42 [368]	97 [860]	45 [402]	42 [374]	41 [360]	,49 [4.4]	2,4 [22]
UTR006-015	15:1	50 [443]	47 [413]	45 [397]	105 [927]	49 [433]	46 [404]	44 [388]	,39 [3.4]	2,4 [21]
UTR006-016	16:1	36 [318]	33 [290]	30 [262]	110 [975]	33 [294]	30 [268]	27 [242]	,39 [3.5]	2,4 [22]
UTR006-020	20:1	45 [398]	41 [363]	37 [328]	106 [939]	41 [367]	38 [335]	34 [303]	,39 [3.5]	2,4 [21]
UTR006-025	25:1	37 [326]	34 [298]	30 [269]	107 [948]	34 [301]	31 [275]	28 [249]	,38 [3.4]	2,3 [21]
UTR006-028	28:1	48 [427]	45 [401]	44 [388]	100 [887]	47 [417]	44 [392]	43 [379]	,39 [3.5]	2,2 [20]
UTR006-030	30:1	30 [266]	26 [232]	25 [217]	93 [822]	28 [246]	24 [215]	23 [201]	,42 [3.7]	2,3 [20]
UTR006-035	35:1	49 [432]	46 [407]	43 [377]	101 [894]	48 [422]	44 [385]	39 [348]	,38 [3.4]	2,3 [20]
UTR006-040	40:1	31 [275]	27 [240]	25 [225]	94 [830]	29 [255]	25 [223]	24 [208]	,39 [3.5]	2,4 [22]
UTR006-050	50:1	32 [283]	28 [247]	26 [232]	94 [836]	30 [262]	26 [229]	24 [215]	,38 [3.4]	2,4 [21]

Sold & Serviced By:



Toll Free Phone (877) SERV098

Toll Free Fax (877) SERV099

www.electromate.com

sales@electromate.com

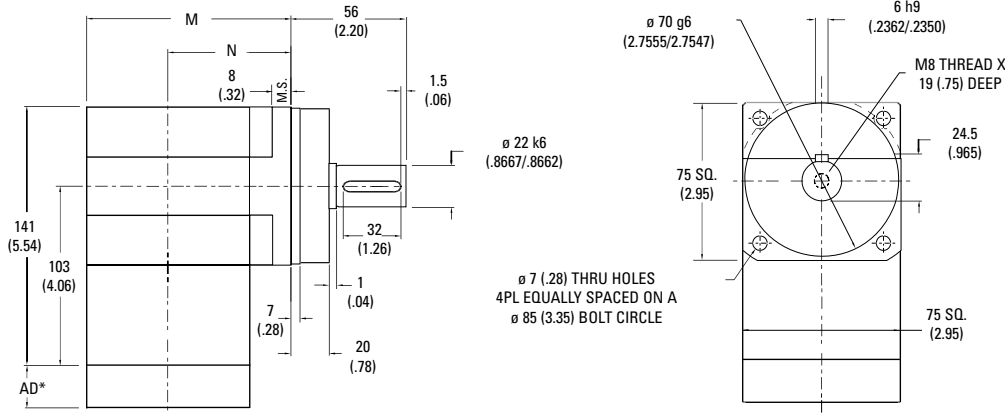
<sup>1</sup> Ratios are exact, higher ratios are also available, consult factory.  
 T<sub>r</sub> = Rated output torque at rated speed for specific hours of life.

T<sub>peak</sub> = Allowable momentary peak torque for emergency stop or heavy shock loading.  
 J = Mass moment of inertia reflected to the input shaft (including pinion assembly).

# UltraTRUE 90™ Size 75

## Helical Right Angle Gearheads

Metric



Ratio <sup>1</sup>	Dimension 'M' mm [in]	Dimension 'N' mm [in]	Backlash [arc-min]	Weight kg [lb]	Efficiency
1:1 to 5:1	89 [3.51]	52 [2.04]	4 max	4.8 [10]	98%
8:1 to 50:1	114.5 [4.51]	77 [3.04]	5 max	5.3 [11.1]	93%

All dimensions are: mm (inch)  
 AD\*\* = Adapter length  
 Adapter length will vary depending on motor.  
 M.S. = Mounting Surface  
 Efficiency is calculated at 100% of the rated torque.

## Performance Specifications

Part Number	Ratio <sup>1</sup>	10,000 Hour Life			T peak Nm [in-lb]	20,000 Hour Life			J kg-cm <sup>2</sup> [in-lb-sec <sup>2</sup> x10 <sup>-4</sup> ]	Torsional Stiffness Nm/arc-min [in-lb/arc-min]
		T <sub>r</sub> (1000 rpm) Nm [in-lb]	T <sub>r</sub> (3000 rpm) Nm [in-lb]	T <sub>r</sub> (5000 rpm) Nm [in-lb]		T <sub>r</sub> (1000 rpm) Nm [in-lb]	T <sub>r</sub> (3000 rpm) Nm [in-lb]	T <sub>r</sub> (5000 rpm) Nm [in-lb]		
UTR075-001	1:1	25 [220]	23 [200]	20 [181]	71 [625]	23 [203]	21 [185]	19 [167]	3,7 [33]	5,1 [46]
UTR075-002	2:1	56 [498]	51 [455]	46 [411]	159 [1410]	52 [460]	47 [420]	43 [380]	1,9 [17]	7,7 [69]
UTR075-003	3:1	37 [329]	34 [300]	31 [271]	129 [1146]	34 [304]	31 [277]	28 [250]	1,6 [15]	8,8 [78]
UTR075-004	4:1	28 [252]	26 [230]	23 [208]	99 [880]	26 [232]	24 [212]	22 [192]	1,5 [13]	9,2 [81]
UTR075-005	5:1	21 [185]	19 [169]	17 [153]	83 [735]	19 [171]	18 [156]	16 [141]	1,5 [13]	9,4 [83]
UTR075-008	8:1	91 [802]	83 [737]	79 [702]	189 [1671]	89 [785]	81 [720]	78 [686]	1,9 [17]	4,7 [41]
UTR075-010	10:1	88 [777]	81 [716]	77 [684]	183 [1617]	86 [759]	79 [700]	76 [669]	1,9 [17]	4,1 [36]
UTR075-012	12:1	93 [824]	86 [762]	82 [730]	194 [1715]	91 [805]	84 [746]	81 [714]	1,5 [14]	4,6 [41]
UTR075-014	14:1	83 [738]	77 [685]	74 [657]	174 [1536]	82 [722]	76 [670]	73 [643]	1,9 [17]	6,6 [58]
UTR075-015	15:1	90 [796]	84 [740]	80 [710]	187 [1656]	88 [779]	82 [723]	78 [694]	1,5 [13]	6,7 [59]
UTR075-016	16:1	95 [838]	88 [780]	85 [749]	197 [1743]	93 [820]	86 [762]	83 [732]	1,5 [14]	6,7 [59]
UTR075-020	20:1	91 [810]	85 [756]	82 [727]	190 [1681]	89 [792]	83 [739]	80 [711]	1,5 [14]	6,5 [58]
UTR075-025	25:1	93 [820]	87 [767]	84 [740]	192 [1698]	91 [801]	85 [750]	80 [705]	1,5 [13]	6,4 [57]
UTR075-028	28:1	87 [768]	81 [720]	79 [695]	179 [1589]	85 [751]	80 [704]	77 [679]	1,5 [14]	5,9 [52]
UTR075-030	30:1	54 [480]	47 [418]	44 [391]	166 [1473]	50 [444]	44 [387]	41 [361]	1,6 [15]	6,3 [56]
UTR075-035	35:1	88 [776]	83 [730]	80 [706]	181 [1603]	86 [759]	81 [714]	78 [690]	1,5 [13]	6,3 [56]
UTR075-040	40:1	56 [497]	49 [433]	46 [406]	168 [1489]	52 [460]	45 [401]	42 [375]	1,5 [14]	6,7 [59]
UTR075-050	50:1	58 [510]	50 [446]	47 [418]	170 [1500]	53 [472]	47 [413]	44 [387]	1,5 [13]	6,6 [58]

Sold & Serviced By:



Toll Free Phone (877) SERV098

Toll Free Fax (877) SERV099

www.electromate.com

sales@electromate.com

<sup>1</sup> Ratios are exact, higher ratios are also available, consult factory.  
 T<sub>r</sub> = Rated output torque at rated speed for specific hours of life.

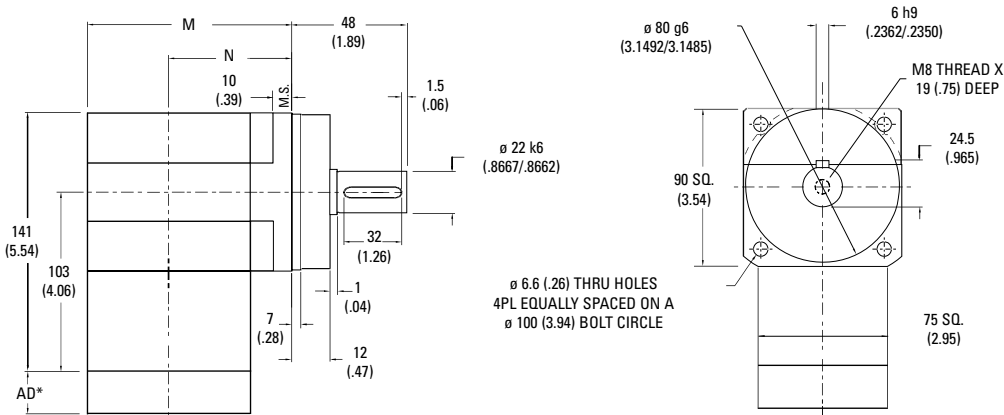
T<sub>peak</sub> = Allowable momentary peak torque for emergency stop or heavy shock loading.  
 J = Mass moment of inertia reflected to the input shaft (including pinion assembly).



# UltraTRUE 90™ Size 90

## Helical Right Angle Gearheads

Metric



Ratio <sup>1</sup>	Dimension 'M' mm [in]	Dimension 'N' mm [in]	Backlash [arc-min]	Weight kg [lb]	Efficiency
1:1 to 5:1	97 [3.82]	60 [2.35]	4 max	4.8 [10]	98%
8:1 to 50:1	122.5 [4.82]	85 [3.35]	5 max	5.3 [11.1]	93%

All dimensions are: mm (inch)  
 AD\*\* = Adapter length  
 Adapter length will vary depending on motor.  
 M.S. = Mounting Surface  
 Efficiency is calculated at 100% of the rated torque.

## Performance Specifications

Part Number	Ratio <sup>1</sup>	10,000 Hour Life			T <sub>peak</sub> Nm [in-lb]	20,000 Hour Life			J kg-cm <sup>2</sup> [in-lb-sec <sup>2</sup> ×10 <sup>-4</sup> ]	Torsional Stiffness Nm/arc-min [in-lb/arc-min]
		T <sub>r</sub> (1000 rpm) Nm [in-lb]	T <sub>r</sub> (3000 rpm) Nm [in-lb]	T <sub>r</sub> (5000 rpm) Nm [in-lb]		T <sub>r</sub> (1000 rpm) Nm [in-lb]	T <sub>r</sub> (3000 rpm) Nm [in-lb]	T <sub>r</sub> (5000 rpm) Nm [in-lb]		
UTR090-001	1:1	25 [220]	23 [200]	20 [181]	71 [625]	23 [203]	21 [185]	19 [167]	3,7 [33]	5,1 [46]
UTR090-002	2:1	56 [498]	51 [455]	46 [411]	159 [1410]	52 [460]	47 [420]	43 [380]	1,9 [17]	7,7 [69]
UTR090-003	3:1	37 [329]	34 [300]	31 [271]	129 [1146]	34 [304]	31 [277]	28 [250]	1,6 [15]	8,8 [78]
UTR090-004	4:1	28 [252]	26 [230]	23 [208]	99 [880]	26 [232]	24 [212]	22 [192]	1,5 [13]	9,2 [81]
UTR090-005	5:1	21 [185]	19 [169]	17 [153]	83 [735]	19 [171]	18 [156]	16 [141]	1,5 [13]	9,4 [83]
UTR090-008	8:1	91 [802]	83 [737]	79 [702]	189 [1671]	89 [785]	81 [720]	78 [686]	1,9 [17]	4,7 [41]
UTR090-010	10:1	88 [777]	81 [716]	77 [684]	183 [1617]	86 [759]	79 [700]	76 [669]	1,9 [17]	4,1 [36]
UTR090-012	12:1	93 [824]	86 [762]	82 [730]	194 [1715]	91 [805]	84 [746]	81 [714]	1,5 [14]	4,6 [41]
UTR090-014	14:1	83 [738]	77 [685]	74 [657]	174 [1536]	82 [722]	76 [670]	73 [643]	1,9 [17]	6,6 [58]
UTR090-015	15:1	90 [796]	84 [740]	80 [710]	187 [1656]	88 [779]	82 [723]	78 [694]	1,5 [13]	6,7 [59]
UTR090-016	16:1	95 [838]	88 [780]	85 [749]	197 [1743]	93 [820]	86 [762]	83 [732]	1,5 [14]	6,7 [59]
UTR090-020	20:1	91 [810]	85 [756]	82 [727]	190 [1681]	89 [792]	83 [739]	80 [711]	1,5 [14]	6,5 [58]
UTR090-025	25:1	93 [820]	87 [767]	84 [740]	192 [1698]	91 [801]	85 [750]	80 [705]	1,5 [13]	6,4 [57]
UTR090-028	28:1	87 [768]	81 [720]	79 [695]	179 [1589]	85 [751]	80 [704]	77 [679]	1,5 [14]	5,9 [52]
UTR090-030	30:1	54 [480]	47 [418]	44 [391]	166 [1473]	50 [444]	44 [387]	41 [361]	1,6 [15]	6,3 [56]
UTR090-035	35:1	88 [776]	83 [730]	80 [706]	181 [1603]	86 [759]	81 [714]	78 [690]	1,5 [13]	6,3 [56]
UTR090-040	40:1	56 [497]	49 [433]	46 [406]	168 [1489]	52 [460]	45 [401]	42 [375]	1,5 [14]	6,7 [59]
UTR090-050	50:1	58 [510]	50 [446]	47 [418]	170 [1500]	53 [472]	47 [413]	44 [387]	1,5 [13]	6,6 [58]

Sold & Serviced By:



Toll Free Phone (877) SERV098

Toll Free Fax (877) SERV099

www.electromate.com

sales@electromate.com

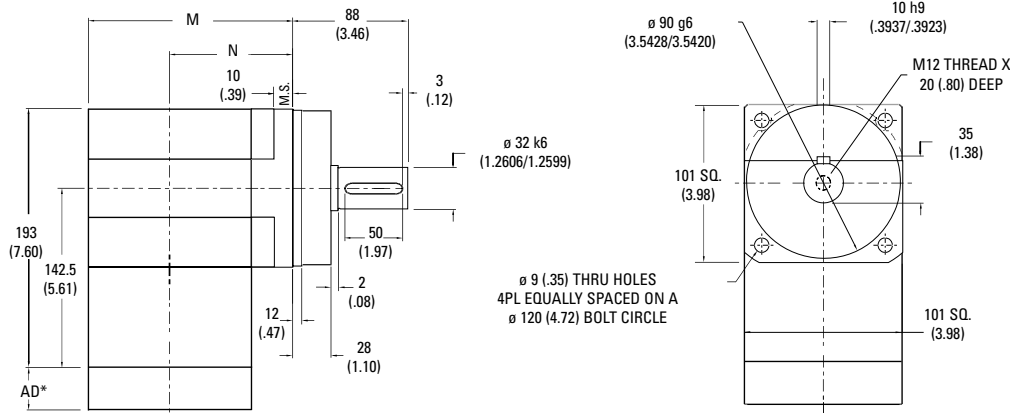
<sup>1</sup> Ratios are exact, higher ratios are also available, consult factory.  
 T<sub>r</sub> = Rated output torque at rated speed for specific hours of life.

T<sub>peak</sub> = Allowable momentary peak torque for emergency stop or heavy shock loading.  
 J = Mass moment of inertia reflected to the input shaft (including pinion assembly).

# UltraTRUE 90™ Size 10

## Helical Right Angle Gearheads

Metric



Ratio <sup>1</sup>	Dimension 'M' mm [in]	Dimension 'N' mm [in]	Backlash [arc-min]	Weight kg [lb]	Efficiency
1:1 to 5:1	121 [4.75]	70 [2.76]	4 max	11 [24]	98%
8:1 to 50:1	149 [5.88]	99 [3.89]	5 max	12 [26.2]	93%

All dimensions are: mm (inch)  
 AD\*\* = Adapter length  
 Adapter length will vary depending on motor.  
 M.S.= Mounting Surface  
 Efficiency is calculated at 100% of the rated torque.

## Performance Specifications

Part Number	Ratio <sup>1</sup>	10,000 Hour Life			T <sub>peak</sub> Nm [in-lb]	20,000 Hour Life			J kg-cm <sup>2</sup> [in-lb-sec <sup>2</sup> x10 <sup>-4</sup> ]	Torsional Stiffness Nm/arc-min [in-lb/arc-min]
		T <sub>r</sub> (1000 rpm) Nm [in-lb]	T <sub>r</sub> (3000 rpm) Nm [in-lb]	T <sub>r</sub> (5000 rpm) Nm [in-lb]		T <sub>r</sub> (1000 rpm) Nm [in-lb]	T <sub>r</sub> (3000 rpm) Nm [in-lb]	T <sub>r</sub> (5000 rpm) Nm [in-lb]		
UTR010-001	1:1	73 [648]	67 [591]	60 [535]	232 [2052]	68 [598]	62 [546]	56 [494]	6,3 [56]	9,2 [81]
UTR010-002	2:1	131 [1157]	119 [1056]	108 [955]	323 [2856]	121 [1068]	110 [975]	100 [882]	3,2 [29]	15,0 [133]
UTR010-003	3:1	101 [898]	93 [820]	84 [741]	292 [2582]	94 [830]	86 [757]	77 [684]	2,8 [25]	17,1 [151]
UTR010-004	4:1	68 [598]	62 [546]	56 [494]	227 [2006]	62 [552]	57 [504]	51 [456]	2,6 [23]	17,9 [159]
UTR010-005	5:1	51 [449]	46 [409]	42 [370]	187 [1653]	47 [414]	43 [378]	39 [342]	2,5 [23]	18,3 [162]
UTR010-008	8:1	266 [2358]	243 [2147]	229 [2031]	547 [4844]	260 [2305]	217 [1923]	186 [1650]	3,3 [29]	16,6 [147]
UTR010-010	10:1	258 [2286]	236 [2092]	225 [1989]	531 [4701]	253 [2235]	226 [2005]	194 [1720]	3,3 [29]	13,1 [116]
UTR010-012	12:1	274 [2426]	252 [2229]	240 [2125]	564 [4992]	270 [2389]	245 [2171]	210 [1863]	2,6 [23]	18,8 [167]
UTR010-014	14:1	246 [2178]	227 [2007]	217 [1917]	506 [4481]	241 [2129]	222 [1963]	207 [1834]	3,3 [29]	23,1 [204]
UTR010-015	15:1	265 [2349]	245 [2168]	234 [2072]	546 [4832]	259 [2297]	240 [2120]	219 [1943]	2,5 [23]	24,3 [215]
UTR010-016	16:1	270 [2393]	247 [2184]	223 [1975]	575 [5085]	250 [2210]	228 [2016]	206 [1823]	2,6 [23]	24,8 [220]
UTR010-020	20:1	270 [2391]	251 [2219]	240 [2127]	555 [4916]	264 [2338]	245 [2170]	235 [2080]	2,6 [23]	22,1 [196]
UTR010-025	25:1	253 [2243]	231 [2047]	209 [1851]	562 [4974]	234 [2072]	214 [1890]	193 [1709]	2,5 [23]	22,1 [196]
UTR010-028	28:1	256 [2270]	239 [2119]	230 [2038]	526 [4659]	251 [2220]	234 [2072]	225 [1993]	2,6 [23]	19,2 [170]
UTR010-030	30:1	159 [1405]	138 [1220]	129 [1139]	488 [4317]	147 [1300]	128 [1129]	119 [1054]	2,8 [25]	19,1 [169]
UTR010-035	35:1	260 [2298]	243 [2152]	234 [2074]	532 [4707]	254 [2248]	238 [2104]	229 [2028]	2,5 [23]	19,0 [168]
UTR010-040	40:1	164 [1456]	143 [1267]	134 [1184]	494 [4372]	152 [1347]	132 [1173]	124 [1096]	2,6 [23]	24,9 [221]
UTR010-050	50:1	169 [1496]	147 [1304]	138 [1220]	498 [4410]	156 [1384]	136 [1207]	128 [1129]	2,5 [23]	21,9 [194]

Sold & Serviced By:



Toll Free Phone (877) SERV098  
 Toll Free Fax (877) SERV099  
[www.electromate.com](http://www.electromate.com)  
[sales@electromate.com](mailto:sales@electromate.com)

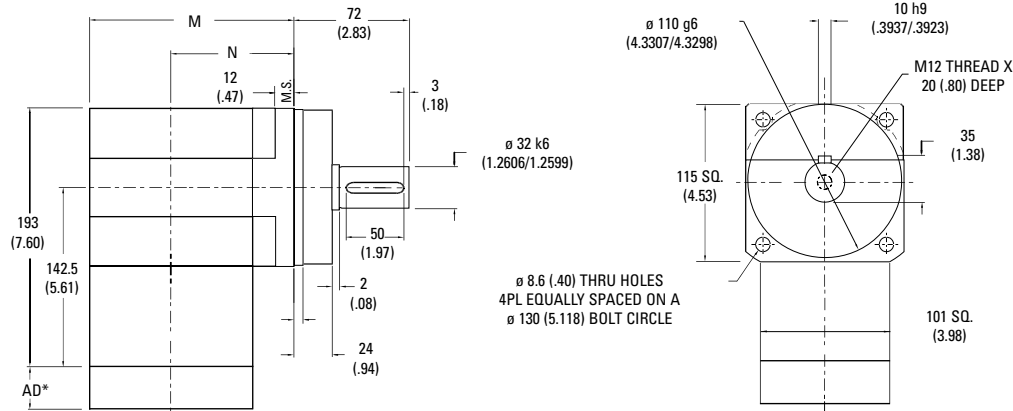
<sup>1</sup> Ratios are exact, higher ratios are also available, consult factory.  
 T<sub>r</sub> = Rated output torque at rated speed for specific hours of life.

T<sub>peak</sub> = Allowable momentary peak torque for emergency stop or heavy shock loading.  
 J = Mass moment of inertia reflected to the input shaft (including pinion assembly).

# UltraTRUE 90™ Size 115

## Helical Right Angle Gearheads

Metric



Ratio <sup>1</sup>	Dimension 'M' mm [in]	Dimension 'N' mm [in]	Backlash [arc-min]	Weight kg [lb]	Efficiency
1:1 to 5:1	136,7 [5.38]	86 [3.39]	4 max	11 [24]	98%
8:1 to 50:1	165 [6.51]	114,8 [4.52]	5 max	12 [26.2]	93%

All dimensions are: mm (inch)  
 AD\*\* = Adapter length  
 Adapter length will vary depending on motor.  
 M.S.= Mounting Surface  
 Efficiency is calculated at 100% of the rated torque.

## Performance Specifications

Part Number	Ratio <sup>1</sup>	10,000 Hour Life			T <sub>peak</sub> Nm [in-lb]	20,000 Hour Life			J kg-cm <sup>2</sup> [in-lb-sec <sup>2</sup> x10 <sup>-4</sup> ]	Torsional Stiffness Nm/arc-min [in-lb/arc-min]
		T <sub>r</sub> (1000 rpm) Nm [in-lb]	T <sub>r</sub> (3000 rpm) Nm [in-lb]	T <sub>r</sub> (5000 rpm) Nm [in-lb]		T <sub>r</sub> (1000 rpm) Nm [in-lb]	T <sub>r</sub> (3000 rpm) Nm [in-lb]	T <sub>r</sub> (5000 rpm) Nm [in-lb]		
UTR115-001	1:1	73 [648]	67 [591]	60 [535]	232 [2052]	68 [598]	62 [546]	56 [494]	6,3 [56]	9,2 [81]
UTR115-002	2:1	131 [1157]	119 [1056]	108 [955]	323 [2856]	121 [1068]	110 [975]	100 [882]	3,2 [29]	15,0 [133]
UTR115-003	3:1	101 [898]	93 [820]	84 [741]	292 [2582]	94 [830]	86 [757]	77 [684]	2,8 [25]	17,1 [151]
UTR115-004	4:1	68 [598]	62 [546]	56 [494]	227 [2006]	62 [552]	57 [504]	51 [456]	2,6 [23]	17,9 [159]
UTR115-005	5:1	51 [449]	46 [409]	42 [370]	187 [1653]	47 [414]	43 [378]	39 [342]	2,5 [23]	18,3 [162]
UTR115-008	8:1	266 [2358]	243 [2147]	229 [2031]	547 [4844]	260 [2305]	217 [1923]	186 [1650]	3,3 [29]	16,6 [147]
UTR115-010	10:1	258 [2286]	236 [2092]	225 [1989]	531 [4701]	253 [2235]	226 [2005]	194 [1720]	3,3 [29]	13,1 [116]
UTR115-012	12:1	274 [2426]	252 [2229]	240 [2125]	564 [4992]	270 [2389]	245 [2171]	210 [1863]	2,6 [23]	18,8 [167]
UTR115-014	14:1	246 [2178]	227 [2007]	217 [1917]	506 [4481]	241 [2129]	222 [1963]	207 [1834]	3,3 [29]	23,1 [204]
UTR115-015	15:1	265 [2349]	245 [2168]	234 [2072]	546 [4832]	259 [2297]	240 [2120]	219 [1943]	2,5 [23]	24,3 [215]
UTR115-016	16:1	270 [2393]	247 [2184]	223 [1975]	575 [5085]	250 [2210]	228 [2016]	206 [1823]	2,6 [23]	24,8 [220]
UTR115-020	20:1	270 [2391]	251 [2219]	240 [2127]	555 [4916]	264 [2338]	245 [2170]	235 [2080]	2,6 [23]	22,1 [196]
UTR115-025	25:1	253 [2243]	231 [2047]	209 [1851]	562 [4974]	234 [2072]	214 [1890]	193 [1709]	2,5 [23]	22,1 [196]
UTR115-028	28:1	256 [2270]	239 [2119]	230 [2038]	526 [4659]	251 [2220]	234 [2072]	225 [1993]	2,6 [23]	19,2 [170]
UTR115-030	30:1	159 [1405]	138 [1220]	129 [1139]	488 [4317]	147 [1300]	128 [1129]	119 [1054]	2,8 [25]	19,1 [169]
UTR115-035	35:1	260 [2298]	243 [2152]	234 [2074]	532 [4707]	254 [2248]	238 [2104]	229 [2028]	2,5 [23]	19,0 [168]
UTR115-040	40:1	164 [1456]	143 [1267]	134 [1184]	494 [4372]	152 [1347]	132 [1173]	124 [1096]	2,6 [23]	24,9 [221]
UTR115-050	50:1	169 [1496]	147 [1304]	138 [1220]	498 [4410]	156 [1384]	136 [1207]	128 [1129]	2,5 [23]	21,9 [194]

Sold & Serviced By:



Toll Free Phone (877) SERV098

Toll Free Fax (877) SERV099

www.electromate.com

sales@electromate.com

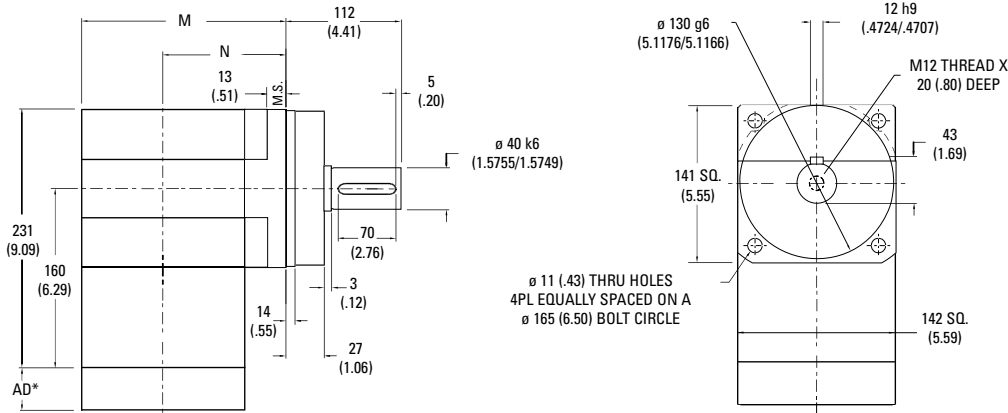
<sup>1</sup> Ratios are exact, higher ratios are also available, consult factory.  
 T<sub>r</sub> = Rated output torque at rated speed for specific hours of life.

T<sub>peak</sub> = Allowable momentary peak torque for emergency stop or heavy shock loading.  
 J = Mass moment of inertia reflected to the input shaft (including pinion assembly).

# UltraTRUE 90™ Size 14

## Helical Right Angle Gearheads

Metric



Ratio <sup>1</sup>	Dimension 'M' mm [in]	Dimension 'N' mm [in]	Backlash [arc-min]	Weight kg [lb]	Efficiency
1:1 to 5:1P	166 [6.54]	95 [3.74]	4 max	24 [53]	98%
8:1 to 50:1	222 [8.74]	151 [5.95]	5 max	29 [64]	93%

All dimensions are: mm (inch)  
 AD\*\* = Adapter length  
 Adapter length will vary depending on motor.  
 M.S.= Mounting Surface  
 Efficiency is calculated at 100% of the rated torque.

## Performance Specifications

Part Number	Ratio <sup>1</sup>	10,000 Hour Life				T peak Nm [in-lb]	20,000 Hour Life			J kg-cm <sup>2</sup> [in-lb-sec <sup>2</sup> x10 <sup>-4</sup> ]	Torsional Stiffness Nm/arc-min [in-lb/arc-min]
		T <sub>r</sub> (1000 rpm) Nm [in-lb]	T <sub>r</sub> (3000 rpm) Nm [in-lb]	T <sub>r</sub> (5000 rpm) Nm [in-lb]	T <sub>r</sub> (1000 rpm) Nm [in-lb]		T <sub>r</sub> (3000 rpm) Nm [in-lb]	T <sub>r</sub> (5000 rpm) Nm [in-lb]			
UTR014-001	1:1	158 [1396]	144 [1274]	130 [1152]	380 [3363]	146 [1289]	133 [1177]	120 [1064]	32 [279]	28,4 [252]	
UTR014-002	2:1	327 [2893]	298 [2640]	270 [2387]	708 [6270]	302 [2671]	275 [2438]	249 [2204]	16 [143]	46,6 [413]	
UTR014-003	3:1	220 [1944]	201 [1774]	181 [1604]	545 [4822]	203 [1796]	185 [1639]	167 [1481]	14 [123]	52,9 [468]	
UTR014-004	4:1	158 [1396]	144 [1274]	130 [1152]	471 [4172]	146 [1289]	133 [1177]	120 [1064]	13 [114]	55,5 [491]	
UTR014-005	5:1	118 [1047]	108 [956]	98 [864]	396 [3506]	109 [967]	100 [883]	90 [798]	13 [112]	56,8 [503]	
UTR014-008	8:1	625 [5531]	565 [5000]	533 [4719]	1269 [11,233]	611 [5408]	530 [4688]	454 [4022]	16 [146]	36,7 [325]	
UTR014-010	10:1	606 [5364]	551 [4876]	522 [4617]	1233 [10,911]	593 [5245]	539 [4768]	474 [4192]	16 [145]	31,9 [282]	
UTR014-012	12:1	644 [5702]	588 [5207]	559 [4944]	1313 [11,616]	630 [5576]	575 [5092]	513 [4542]	13 [116]	22,1 [195]	
UTR014-014	14:1	578 [5118]	530 [4690]	504 [4461]	1179 [10,430]	565 [5005]	518 [4586]	493 [4363]	16 [145]	51,6 [457]	
UTR014-015	15:1	624 [5522]	572 [5067]	545 [4824]	1272 [11,253]	610 [5399]	560 [4955]	533 [4717]	12 [113]	51,7 [457]	
UTR014-016	16:1	631 [5587]	576 [5099]	521 [4610]	1340 [11,860]	583 [5160]	532 [4708]	481 [4257]	13 [115]	52,8 [467]	
UTR014-020	20:1	636 [5627]	587 [5194]	561 [4963]	1296 [11,471]	622 [5503]	574 [5079]	548 [4854]	13 [115]	49,2 [435]	
UTR014-025	25:1	592 [5240]	540 [4782]	488 [4324]	1314 [11,625]	547 [4839]	499 [4415]	451 [3992]	12 [113]	49,2 [435]	
UTR014-028	28:1	605 [5350]	561 [4969]	539 [4767]	1231 [10,896]	591 [5232]	549 [4859]	527 [4661]	13 [115]	42,8 [379]	
UTR014-030	30:1	380 [3363]	329 [2914]	307 [2715]	1143 [10,111]	352 [3112]	305 [2696]	284 [2512]	14 [124]	44,7 [396]	
UTR014-035	35:1	612 [5420]	571 [5052]	549 [4857]	1246 [11,024]	599 [5300]	558 [4941]	537 [4750]	12 [113]	40,2 [356]	
UTR014-040	40:1	394 [3486]	342 [3028]	319 [2826]	1159 [10,257]	364 [3226]	317 [2802]	295 [2615]	13 [115]	52,6 [466]	
UTR014-050	50:1	405 [3584]	352 [3118]	329 [2914]	1171 [10,360]	375 [3316]	326 [2886]	305 [2696]	12 [112]	49,2 [435]	

Sold & Serviced By:



Toll Free Phone (877) SERV098

Toll Free Fax (877) SERV099

www.electromate.com

sales@electromate.com

<sup>1</sup> Ratios are exact, higher ratios are also available, consult factory.  
 T<sub>r</sub> = Rated output torque at rated speed for specific hours of life.

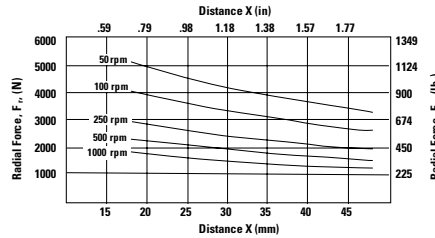
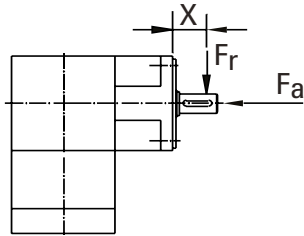
T<sub>peak</sub> = Allowable momentary peak torque for emergency stop or heavy shock loading.  
 J = Mass moment of inertia reflected to the input shaft (including pinion assembly).



# Radial and Axial Load Ratings

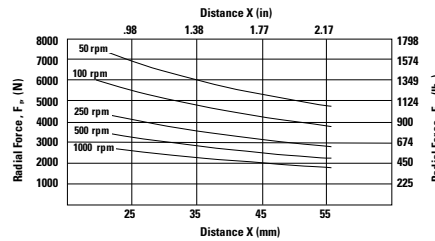
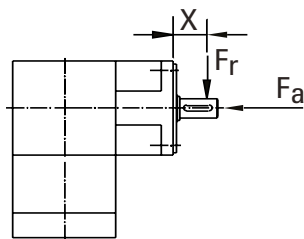
Ratios 1:1 thru 5:1 only

## UTR006



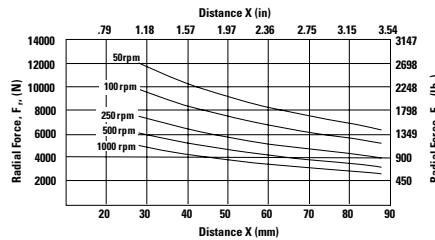
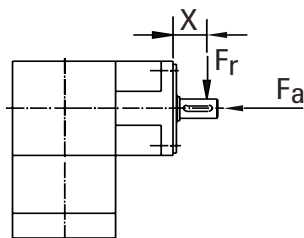
Speed rpm	Axial Load, $F_a$ N [lb <sub>f</sub> ]
50	6543 [1471]
100	5191 [1167]
250	3825 [860]
500	3038 [683]
1000	2411 [542]

## UTR075 and UTR090



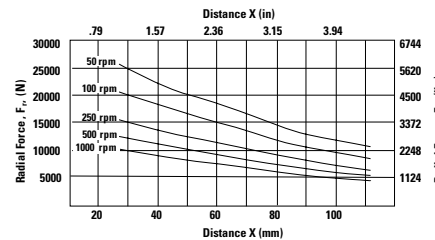
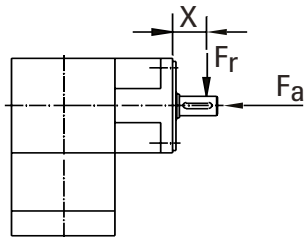
Speed rpm	Axial Load, $F_a$ N [lb <sub>f</sub> ]
50	9003 [2024]
100	7148 [1607]
250	5266 [1184]
500	4181 [940]
1000	3318 [746]

## UTR010 and UTR115



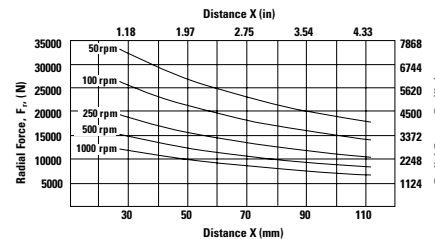
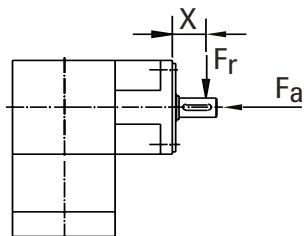
Speed rpm	Axial Load, $F_a$ N [lb <sub>f</sub> ]
50	12,432 [2795]
100	10,097 [2270]
250	7668 [1724]
500	6232 [1401]
1000	5062 [1138]

## UTR014



Speed rpm	Axial Load, $F_a$ N [lb <sub>f</sub> ]
50	23,067 [5186]
100	18,735 [4212]
250	14,234 [3200]
500	11,560 [2599]
1000	9390 [2111]

## UTR018

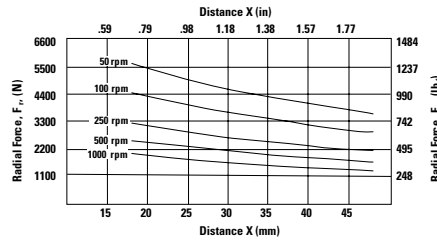
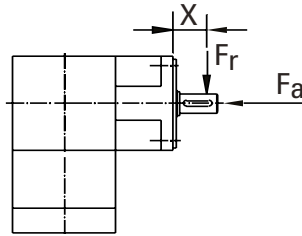


Speed rpm	Axial Load, $F_a$ N [lb <sub>f</sub> ]
50	31,398 [7059]
100	24,922 [5603]
250	18,361 [4128]
500	14,576 [3277]
1000	11,569 [2601]

These graphs display the allowable radial load at a given distance (X) from the mounting surface based on an L<sub>10</sub> life of 10,000 hours for the mean output speed  $n_{mout}$ , as described on page 10.

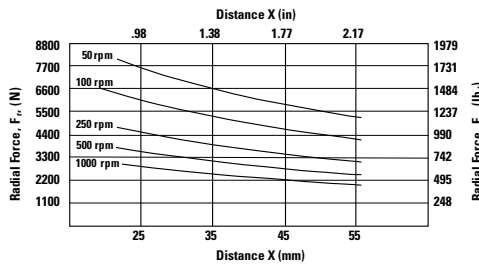
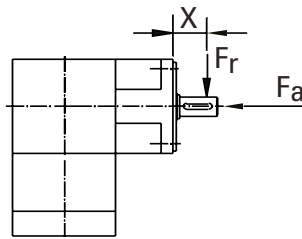
# Radial and Axial Load Ratings

Ratios 8:1 thru 50:1 only  
**UTR006**



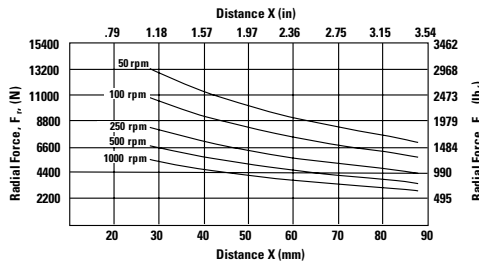
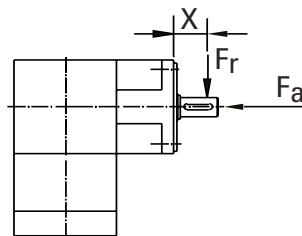
Speed rpm	Axial Load, $F_a$ N [lb <sub>f</sub> ]
50	7198 [1618]
100	5710 [1284]
250	4208 [946]
500	3342 [751]
1000	2652 [596]

**UTR075 and UTR090**



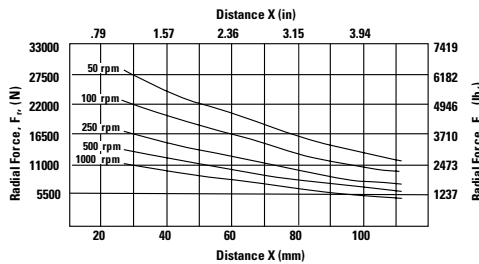
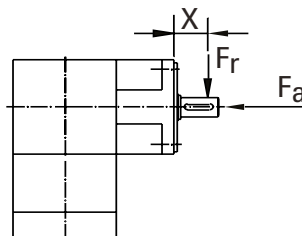
Speed rpm	Axial Load, $F_a$ N [lb <sub>f</sub> ]
50	9903 [2227]
100	7863 [1768]
250	5793 [1303]
500	4599 [1034]
1000	3650 [821]

**UTR010 and UTR115**



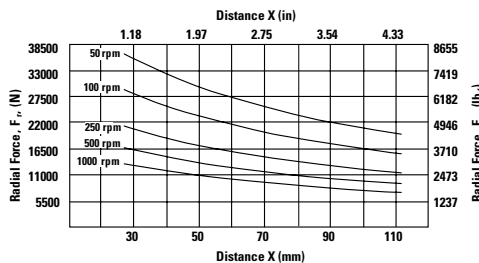
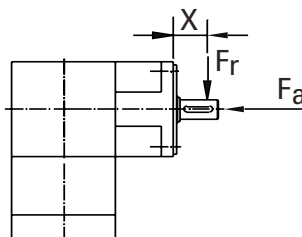
Speed rpm	Axial Load, $F_a$ N [lb <sub>f</sub> ]
50	13,675 [3075]
100	11,107 [2497]
250	8435 [1897]
500	6855 [1542]
1000	5568 [1252]

**UTR014**



Speed rpm	Axial Load, $F_a$ N [lb <sub>f</sub> ]
50	25,374 [5705]
100	20,609 [4633]
250	15,657 [3520]
500	12,716 [2859]
1000	10,329 [2322]

**UTR018**



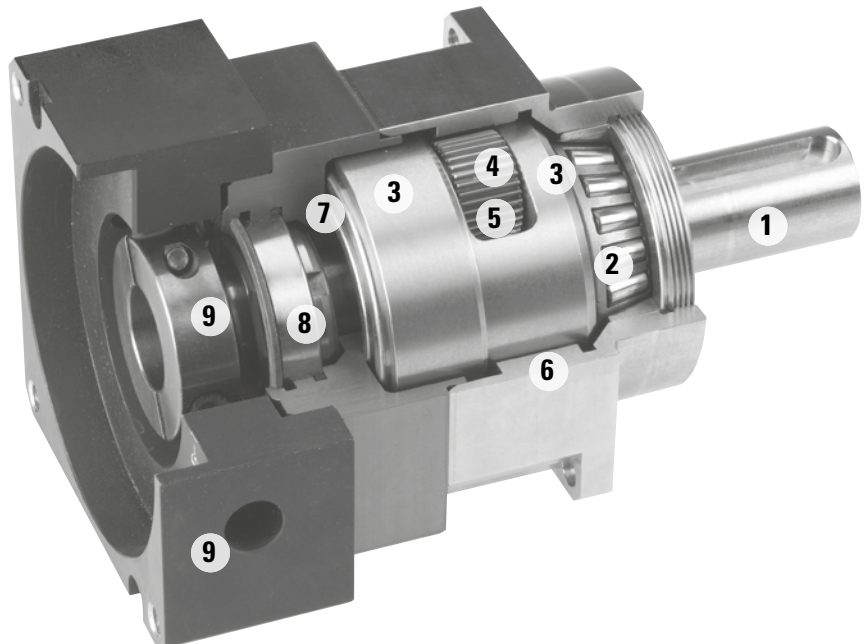
Speed rpm	Axial Load, $F_a$ N [lb <sub>f</sub> ]
50	34,538 [7765]
100	27,414 [6163]
250	20,197 [4541]
500	16,034 [3605]
1000	12,726 [2861]

These graphs display the allowable radial load at a given distance (X) from the mounting surface based on an  $L_{10}$  life of 10,000 hours for the mean output speed  $n_{mout}$ , as described on page 10.

# EverTRUE™ Continuous Duty True Planetary™ Gearheads

Ready for Immediate Delivery	
Precision	4 arc-minutes
Frame Sizes	100mm, 140mm and 180mm
Torque Capacity	up to 1017 Nm
Ratio Availability	4:1 thru 100:1
Radial load capacity	up to 44600 N
Mounting System	RediMount™

- ① **Single piece output shaft with**  
straddle mount bearing for  
increased stiffness
- ② **High capacity tapered roller bearings**
- ③ **Double full complement needle**  
bearings for continuous operation
- ④ **Gears lubricated with**  
continuous duty grease
- ⑤ **True Planetary Gearing**  
optimized for continuous duty
- ⑥ **Single piece output**  
housing with integral internal gear
- ⑦ **Angular contact bearing**
- ⑧ **Input bearing with thermal**  
compensation feature
- ⑨ **RediMount™ system**  
provides error-free installation



**Stainless steel output housing**

Sold & Serviced By:

 **ELECTROMATE**

Toll Free Phone (877) SERV098

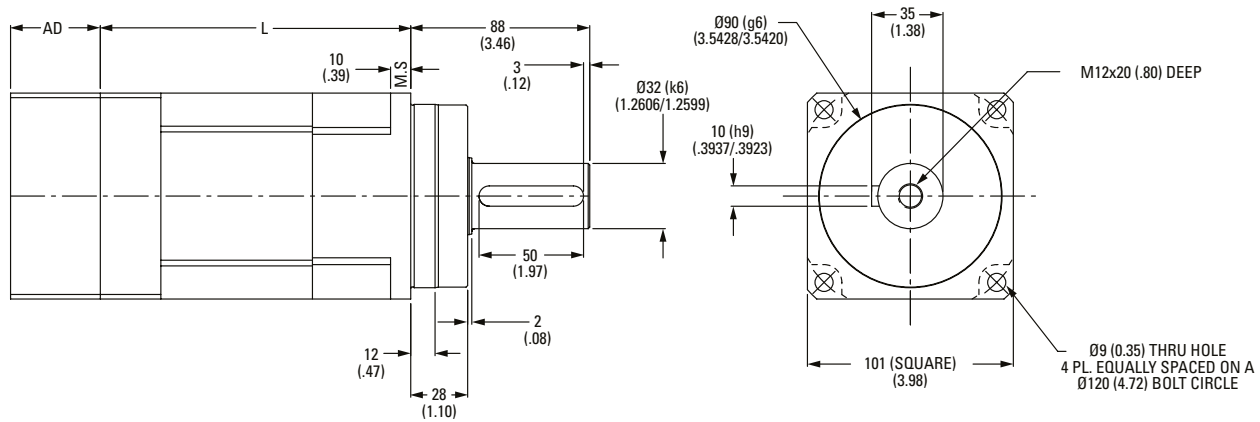
Toll Free Fax (877) SERV099

[www.electromate.com](http://www.electromate.com)

[sales@electromate.com](mailto:sales@electromate.com)



# EverTRUE™ Size 10 Continuous Duty True Planetary™ Gearheads



Ratio <sup>1</sup>	Stages	Dimension 'L' mm [in]	Backlash [arc-min]	Weight kg [lb]	Efficiency
4:1 to 10:1	1	78 [3.07]	4 max	6 [13]	95%
16:1 to 100:1	2	146 [5.75]	5 max	8 [18]	90%

All dimensions are in mm (in)  
AD\*\* = Adapter length  
Adapter length will vary depending on motor.  
Efficiency is calculated at 100% of the rated torque.

## Performance Specifications

Part Number	Ratio <sup>1</sup>	Intermittent (T <sub>rc</sub> ) Nm [in-lb]	30000 Hour Life			T <sub>peak</sub> Nm [in-lb]	J kg-cm <sup>2</sup> [in-lb-sec <sup>2</sup> x10 <sup>-4</sup> ]	Torsional Stiffness Nm/arc-min [in-lb/arc-min]
			T <sub>r</sub> (1000 rpm) Nm [in-lb]	T <sub>r</sub> (3000 rpm) Nm [in-lb]	T <sub>r</sub> (5000 rpm) Nm [in-lb]			
ET010-004	4:1	171 [1514]	147 [1303]	106 [937]	91 [804]	463 [4093]	1,50 [13.3]	28,27 [250]
ET010-005	5:1	178 [1579]	144 [1272]	110 [977]	95 [838]	451 [3991]	1,29 [11.5]	25,08 [222]
ET010-007	7:1	190 [1684]	137 [1217]	118 [1042]	101 [893]	433 [3830]	0,92 [8.1]	23,21 [205]
ET010-010	10:1	106 [940]	77 [677]	66 [581]	61 [539]	411 [3640]	0,86 [7.6]	15,84 [140]
ET010-016	16:1	245 [2166]	164 [1450]	151 [1340]	138 [1218]	517 [4577]	1,05 [9.2]	30,03 [267]
ET010-020	20:1	249 [2205]	166 [1470]	154 [1364]	147 [1303]	524 [4637]	1,05 [9.2]	26,73 [237]
ET010-025	25:1	242 [2140]	161 [1421]	150 [1324]	14 [127]	506 [4477]	1,05 [9.2]	26,73 [237]
ET010-028	28:1	255 [2261]	169 [1499]	158 [1399]	152 [1345]	533 [4718]	0,89 [7.9]	23,21 [205]
ET010-035	35:1	248 [2191]	164 [1448]	153 [1355]	148 [1306]	514 [4549]	0,75 [6.7]	22,99 [204]
ET010-040	40:1	262 [2316]	173 [1528]	162 [1433]	156 [1383]	542 [4794]	0,75 [6.7]	30,14 [267]
ET010-050	50:1	253 [2243]	167 [1475]	157 [1387]	152 [1341]	521 [4615]	0,74 [6.6]	26,51 [235]
ET010-070	70:1	241 [2131]	158 [1396]	149 [1318]	144 [1277]	491 [4349]	0,74 [6.6]	23,21 [205]
ET010-100	100:1	144 [1277]	102 [902]	89 [790]	84 [741]	459 [4059]	0,74 [6.6]	18,92 [168]

Sold & Serviced By:



Toll Free Phone (877) SERV098

Toll Free Fax (877) SERV099

www.electromate.com

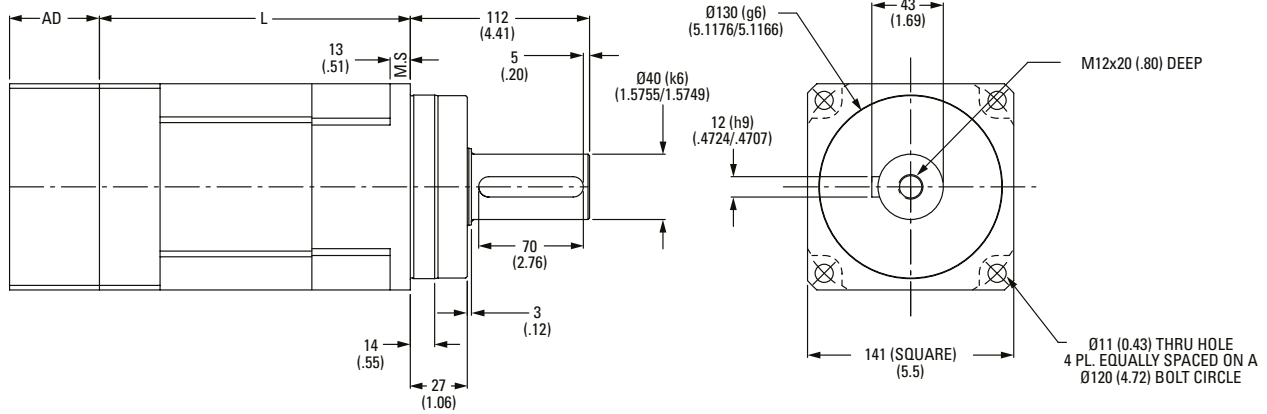
sales@electromate.com

Higher ratios are also available, consult factory.  
T<sub>r</sub> = Rated output torque at rated speed for specific hours of life.  
T<sub>rc</sub> = Rated output torque for intermittent operation at 3,000 RPM (20,000 hr life - for catalog comparison)

T<sub>peak</sub> = Allowable momentary peak torque for emergency stop or heavy shock loading.  
J = Mass moment of inertia reflected to the input shaft (including pinion assembly).

# EverTRUE™ Size 14 Continuous Duty

## True Planetary™ Gearheads



Ratio <sup>1</sup>	Stages	Dimension 'L' mm [in]	Backlash [arc-min]	Weight kg [lb]	Efficiency
4:1 to 10:1	1	110,5 [4.35]	4 max	14 [31]	95%
16:1 to 100:1	2	195 [7.69]	5 max	18 [40]	90%

All dimensions are in mm (in)  
 AD\*\* = Adapter length  
 Adapter length will vary depending on motor.  
 Efficiency is calculated at 100% of the rated torque.

### Performance Specifications

Part Number	Ratio <sup>1</sup>	Intermittent (Trc) Nm [in-lb]	30000 Hour Life			T <sub>peak</sub> Nm [in-lb]	J kg-cm <sup>2</sup> [in-lb-sec <sup>2</sup> x10 <sup>-4</sup> ]	Torsional Stiffness Nm/arc-min [in-lb/arc-min]
			T <sub>r</sub> (1000 rpm) Nm [in-lb]	T <sub>r</sub> (3000 rpm) Nm [in-lb]	T <sub>r</sub> (5000 rpm) Nm [in-lb]			
ET014-004	4:1	417 [3694]	345 [3055]	258 [2285]	221 [1960]	1066 [9431]	6,18 [55]	60,50 [536]
ET014-005	5:1	435 [3849]	336 [2972]	269 [2381]	231 [2042]	1040 [9206]	4,77 [42]	56,10 [497]
ET014-007	7:1	464 [4105]	322 [2849]	287 [2539]	246 [2179]	1002 [8866]	3,61 [32]	51,70 [458]
ET014-010	10:1	253 [2237]	183 [1618]	156 [1384]	145 [1279]	956 [8459]	3,22 [29]	38,50 [341]
ET014-016	16:1	573 [5070]	386 [3413]	354 [3136]	336 [2971]	1206 [10674]	4,00 [35]	63,80 [565]
ET014-020	20:1	584 [5168]	391 [3463]	361 [3197]	345 [3055]	1224 [10832]	3,87 [34]	59,40 [526]
ET014-025	25:1	567 [5016]	378 [3347]	351 [3103]	336 [2972]	1182 [10463]	3,87 [34]	59,40 [526]
ET014-028	28:1	600 [5309]	399 [3535]	371 [3284]	356 [3150]	1248 [11047]	3,35 [30]	51,70 [458]
ET014-035	35:1	581 [5145]	386 [3415]	360 [3182]	346 [3059]	1204 [10653]	2,84 [25]	48,40 [428]
ET014-040	40:1	616 [5448]	408 [3608]	381 [3370]	367 [3245]	1271 [11248]	2,84 [25]	63,80 [565]
ET014-050	50:1	596 [5274]	393 [3482]	369 [3262]	356 [3146]	1224 [10831]	2,71 [24]	59,40 [526]
ET014-070	70:1	567 [5019]	373 [3299]	351 [3104]	339 [3002]	1155 [10223]	2,71 [24]	53,90 [478]
ET014-100	100:1	346 [3058]	245 [2164]	214 [1892]	200 [1772]	1081 [9564]	2,71 [24]	38,50 [341]

Sold & Serviced By:



Toll Free Phone (877) SERV098

Toll Free Fax (877) SERV099

www.electromate.com

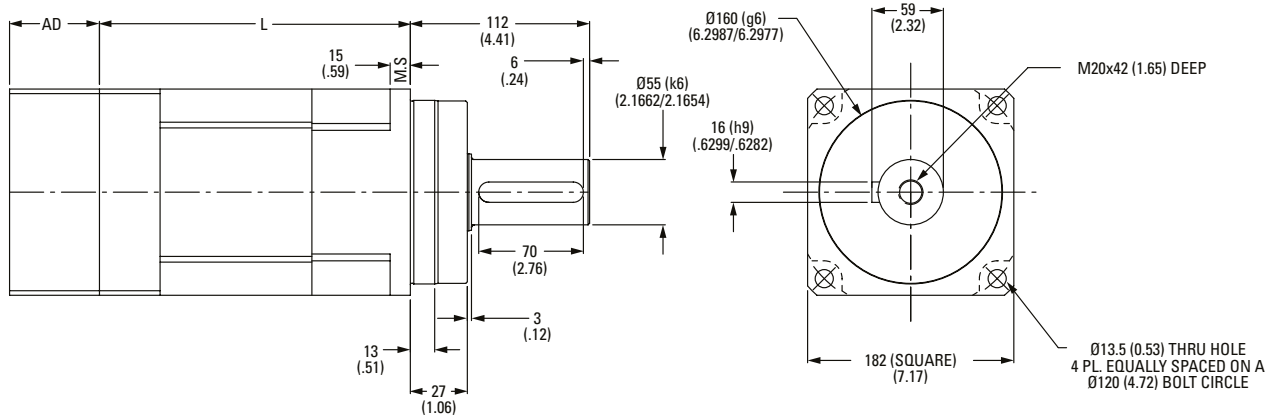
sales@electromate.com

Higher ratios are also available, consult factory.  
 T<sub>r</sub> = Rated output torque at rated speed for specific hours of life.  
 T<sub>rc</sub> = Rated output torque for intermittent operation at 3,000 RPM (20,000 hr life - for catalog comparison)

T<sub>peak</sub> = Allowable momentary peak torque for emergency stop or heavy shock loading.  
 J = Mass moment of inertia reflected to the input shaft (including pinion assembly).

# EverTRUE™ Size 18 Continuous Duty

## True Planetary™ Gearheads



Ratio <sup>1</sup>	Stages	Dimension 'L' mm [in]	Backlash [arc-min]	Weight kg [lb]	Efficiency
4:1 to 10:1	1	136 [5.35]	4 max	40 [88]	95%
16:1 to 100:1	2	244 [9.59]	5 max	45 [99]	90%

All dimensions are in mm (in)  
 AD\*\* = Adapter length  
 Adapter length will vary depending on motor.  
 Efficiency is calculated at 100% of the rated torque.

### Performance Specifications

Part Number	Ratio <sup>1</sup>	Intermittent (Trc) Nm [in-lb]	30000 Hour Life			T <sub>peak</sub> Nm [in-lb]	J kg-cm <sup>2</sup> [in-lb-sec <sup>2</sup> x10 <sup>-4</sup> ]	Torsional Stiffness Nm/arc-min [in-lb/arc-min]
			T <sub>r</sub> (1000 rpm) Nm [in-lb]	T <sub>r</sub> (3000 rpm) Nm [in-lb]	T <sub>r</sub> (5000 rpm) Nm [in-lb]			
ET018-004	4:1	933 [8254]	802 [7099]	577 [5105]	495 [4380]	2442 [21609]	24,61 [218]	168,30 [1461]
ET018-005	5:1	972 [8602]	782 [6923]	601 [5321]	516 [4565]	2389 [21143]	19,00 [168]	165,00 [1461]
ET018-007	7:1	1037 [9174]	752 [6652]	641 [5675]	550 [4868]	2308 [20429]	13,87 [123]	147,40 [1306]
ET018-010	10:1	592 [5242]	430 [3806]	366 [3242]	338 [2990]	2210 [19561]	12,35 [109]	111,10 [984]
ET018-016	16:1	1335 [11816]	904 [8003]	826 [7309]	750 [6639]	2800 [24779]	15,30 [136]	177,10 [1569]
ET018-020	20:1	1363 [12061]	919 [8129]	843 [7460]	802 [7099]	2846 [25187]	14,82 [131]	171,60 [1520]
ET018-025	25:1	1325 [11722]	889 [7866]	819 [7251]	782 [6923]	2754 [24370]	14,82 [131]	144,10 [1277]
ET018-028	28:1	1403 [12414]	939 [8311]	868 [7679]	830 [7342]	2910 [25751]	12,83 [114]	151,80 [1345]
ET018-035	35:1	1361 [12047]	908 [8033]	842 [7452]	807 [7142]	2810 [24870]	10,83 [96]	136,40 [1209]
ET018-040	40:1	1443 [12767]	960 [8492]	892 [7897]	857 [7580]	2970 [26281]	10,83 [96]	177,10 [1569]
ET018-050	50:1	1398 [12371]	927 [8201]	865 [7652]	832 [7361]	2863 [25338]	10,36 [92]	171,60 [1520]
ET018-070	70:1	1332 [11789]	879 [7778]	824 [7292]	795 [7037]	2707 [23959]	10,36 [92]	151,80 [1345]
ET018-100	100:1	816 [7219]	578 [5117]	505 [4465]	472 [4180]	2537 [22454]	10,36 [92]	113,30 [1004]

Sold & Serviced By:



Toll Free Phone (877) SERV098

Toll Free Fax (877) SERV099

www.electromate.com

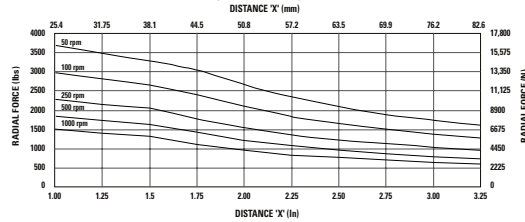
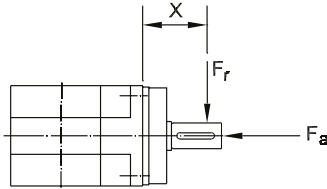
sales@electromate.com

Higher ratios are also available, consult factory.  
 T<sub>r</sub> = Rated output torque at rated speed for specific hours of life.  
 T<sub>rc</sub> = Rated output torque for intermittent operation at 3,000 RPM (20,000 hr life - for catalog comparison)

T<sub>peak</sub> = Allowable momentary peak torque for emergency stop or heavy shock loading.  
 J = Mass moment of inertia reflected to the input shaft (including pinion assembly).

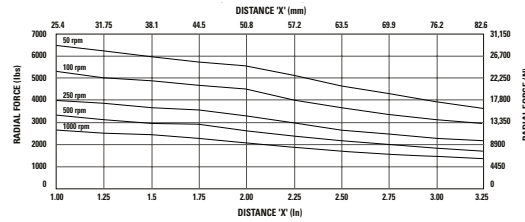
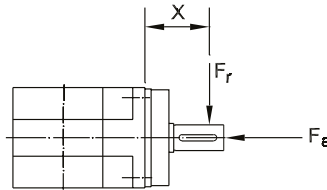
# Radial and Axial Load Ratings

## ET010



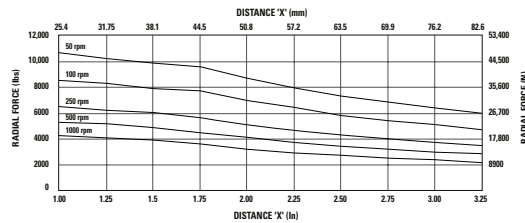
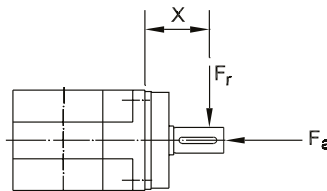
Speed rpm	Axial Load, $F_a$ N [lb.]
50	13675 [3075]
100	11107 [2497]
250	8435 [1897]
500	6855 [1542]
1000	5568 [1252]

## ET014



Speed rpm	Axial Load, $F_a$ N [lb.]
50	25074 [5705]
100	20609 [4633]
250	15657 [3520]
500	12716 [2859]
1000	10329 [2322]

## ET018



Speed rpm	Axial Load, $F_a$ N [lb.]
50	34538 [7765]
100	27414 [6163]
250	20197 [4541]
500	16034 [3605]
1000	12726 [2861]

Sold & Serviced By:

**ELECTROMATE**

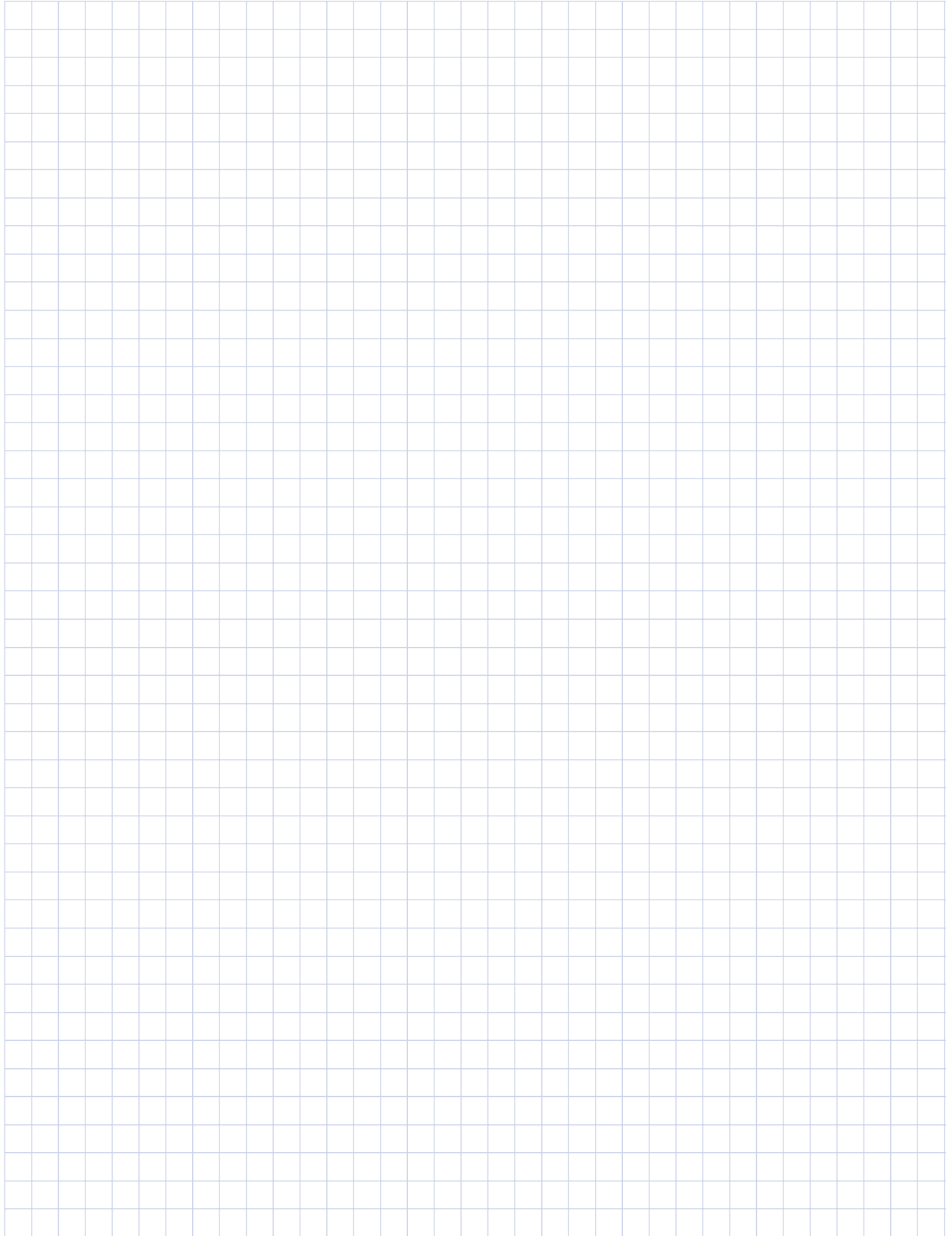
Toll Free Phone (877) SERV098

Toll Free Fax (877) SERV099

www.electromate.com

sales@electromate.com

These graphs display the allowable radial load at a given distance (X) from the mounting surface based on an  $L_{10}$  life of 10,000 hours for the mean output speed  $n_{mout}$ , as described on page 10.



# Gearhead Application Analysis Form

## General Information

Customer Name: \_\_\_\_\_ Fax: \_\_\_\_\_ Order Date: \_\_\_\_\_

Buyer Contact: \_\_\_\_\_ Phone: \_\_\_\_\_ Required Date: \_\_\_\_\_

Technical Contact: \_\_\_\_\_

Bill to Address: \_\_\_\_\_ Town/County: \_\_\_\_\_ State/Zip: \_\_\_\_\_

Ship to Address: \_\_\_\_\_ Town/County: \_\_\_\_\_ State/Zip: \_\_\_\_\_

E-mail: \_\_\_\_\_ Website: \_\_\_\_\_

## Motor Information

Motor Manufacturer: \_\_\_\_\_ Motor Model #: \_\_\_\_\_

Continuous Torque (Nm) \_\_\_\_\_ Peak Torque (Nm) \_\_\_\_\_

Maximum Speed (rpm) \_\_\_\_\_

## Application Information

Brief description of your application: \_\_\_\_\_

\_\_\_\_\_

Acceleration time (sec) \_\_\_\_\_ Acceleration torque (Nm) \_\_\_\_\_ Max speed (rpm) \_\_\_\_\_

Dwell time (sec) \_\_\_\_\_ Dwell torque (Nm) \_\_\_\_\_ Dwell speed (rpm) \_\_\_\_\_

Deceleration time (sec) \_\_\_\_\_ Deceleration torque (Nm) \_\_\_\_\_ Min speed (rpm) \_\_\_\_\_

Radial Load (N) \_\_\_\_\_ Axial Load (N) \_\_\_\_\_ Target inertia match \_\_\_\_\_

External load inertia (Nm-sec<sup>2</sup>) \_\_\_\_\_ Maximun speed of motor (rpm) \_\_\_\_\_

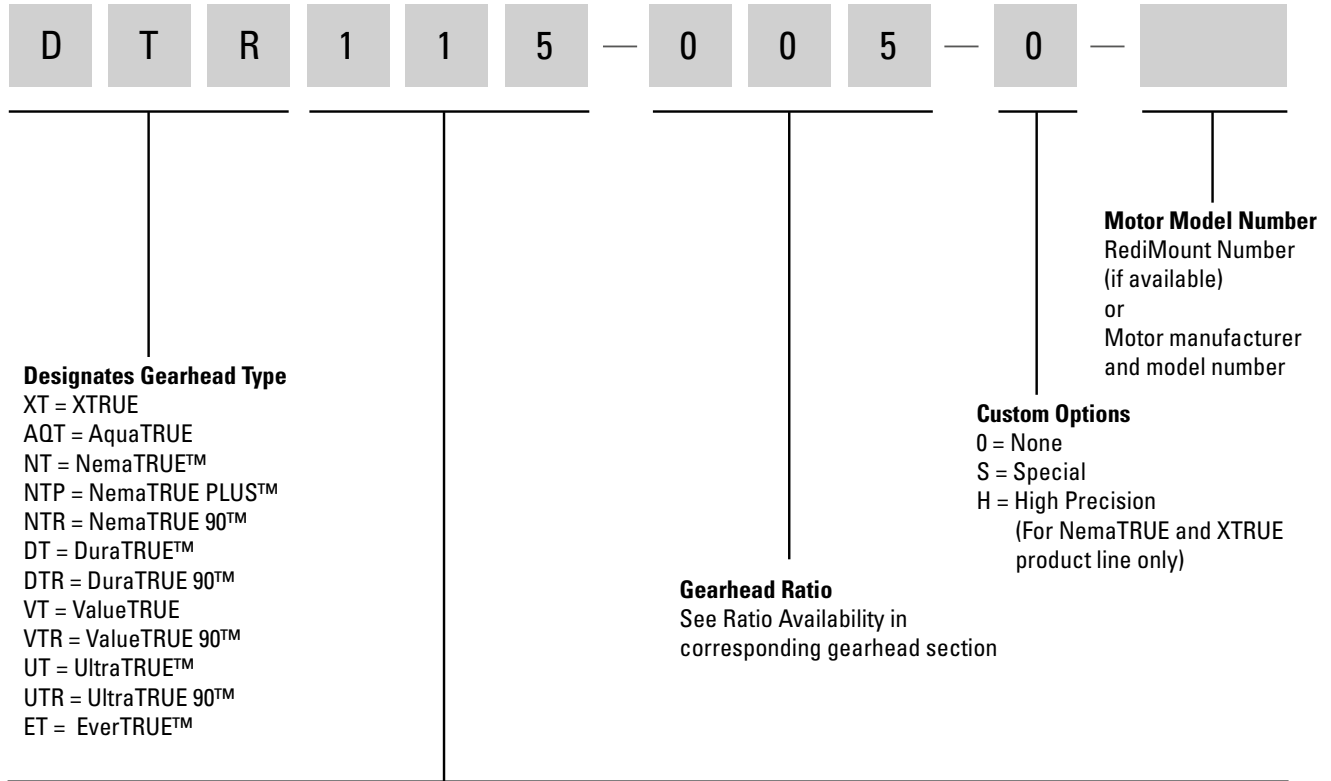
## Ordering Information

Part Number	Quantity	Price	Delivery
_____	_____	_____	_____

\_\_\_\_\_

# Gearhead Ordering Information

Visit [www.micronmotioneering.com](http://www.micronmotioneering.com) to get your complete RediMount part number using your motor manufacturer and model number information.



GEARHEAD SIZE					
XTRUE™ AquaTRUE™	NemaTRUE™ NemaTRUE PLUS™ NemaTRUE 90™	DuraTRUE™ DuraTRUE 90™ DuraTRUE™ (Hollow Shaft) DuraTRUE™ (Dual Shaft)	UltraTRUE™ UltraTRUE 90™	EverTRUE™	ValueTRUE™ ValueTRUE 90™
40 = 40mm	17 = Size 17	60 = Size 60	006 = Size 60	10 = Size 10	006 = Size 60
60 = 60mm	23 = Size 23	90 = Size 90	075 = Size 75	14 = Size 14	075 = Size 75
80 = 80mm	34 = Size 34	115 = Size 115	090 = Size 90	18 = Size 18	090 = Size 90
120 = 120mm	42 = Size 42	142 = Size 142	010 = Size 10		010 = Size 10
160 = 160mm	60 = Size 60		115 = Size 115		115 = Size 115
	90 = Size 90		014 = Size 14		014 = Size 14
	115 = Size 115		018 = Size 18		018 = Size 18
			022 = Size 22 (UltraTRUE™ only)		022 = Size 22

Sold & Serviced By:



Toll Free Phone (877) SERV098  
 Toll Free Fax (877) SERV099  
[www.electromate.com](http://www.electromate.com)  
[sales@electromate.com](mailto:sales@electromate.com)

