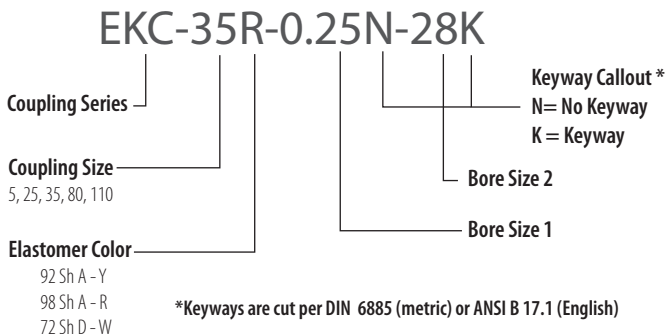




▶ EKC SERIES ELASTOMER COUPLING

Sample order code:



Coupling Size	Price (w/ 2 Standard Bores)	Additional Price per Non-Standard Bore	Additional Price per Keyway
EKC-5	\$34.00	\$6.00	\$6.00
EKC-25	\$40.00	\$6.00	\$6.00
EKC-35	\$59.00	\$6.00	\$6.00
EKC-80	\$78.00	\$7.00	\$7.00
EKC-110	\$86.00	\$7.00	\$7.00

Volume Discounts*: 10-24: 5% 25+: 10% *Minimum order value applies

GAM is ranked as one of Inc. Magazine's 2008 top 5000 fastest growing private companies in America

GAM is a leading provider of precision mechanical power transmission components used in the automation of machinery. GAM has a broad product range of gear-reducers, servo-couplings, safety-couplings, and motor mount kits. Our Motto is: BE FLEXIBLE TO MEET OUR CUSTOMERS' REQUESTS AND GIVE GREAT SERVICE. That means, if you can't find exactly what you are looking for in our standard catalog, contact us.

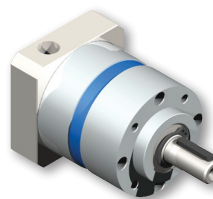
**GAM CAN.
JUST ASK!**

OTHER GAM PRODUCTS



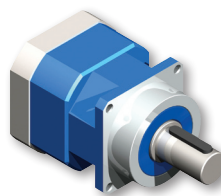
Linear Slide Kit (LSK): Customized mounting solution without long lead times

- Customized assembly to mount any motor or gearbox to any linear slide
- Coupling included
- Quick delivery



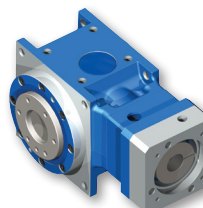
EPL Series: Low cost inline planetary gear reducer with custom configurations

- Ratios: 3 – 1000:1
- Frame size: 50 – 150 mm
- Backlash: less than 8 arc minutes
- Efficiencies: 92%



SPL Series: Planetary inline gear reducers that pack great performance at a great price

- Ratios: 3 – 100:1
- Frame size: 60 – 180 mm
- Backlash: less than 3 arc minutes
- Efficiencies: 95%



Dyna Series: The only right angle hypoid gear reducer up to 15:1 in a single stage

- Ratios: 3 – 150:1
- Frame size: 55 – 190 mm
- Backlash: less than 1 arc minutes
- Efficiencies: up to 96%

For more information about GAM please visit www.gamweb.com

Sold & Serviced By: **ELECTROMATE**

Toll Free Phone (877) SERV098
Toll Free Fax (877) SERV099
www.electromate.com
sales@electromate.com