

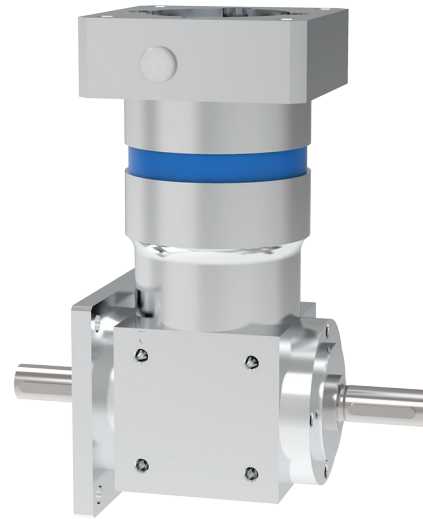


V-T-045-020S GEARBOX

Technical Specifications

Model: V-T-045-020S-MI033-HI569-C0349

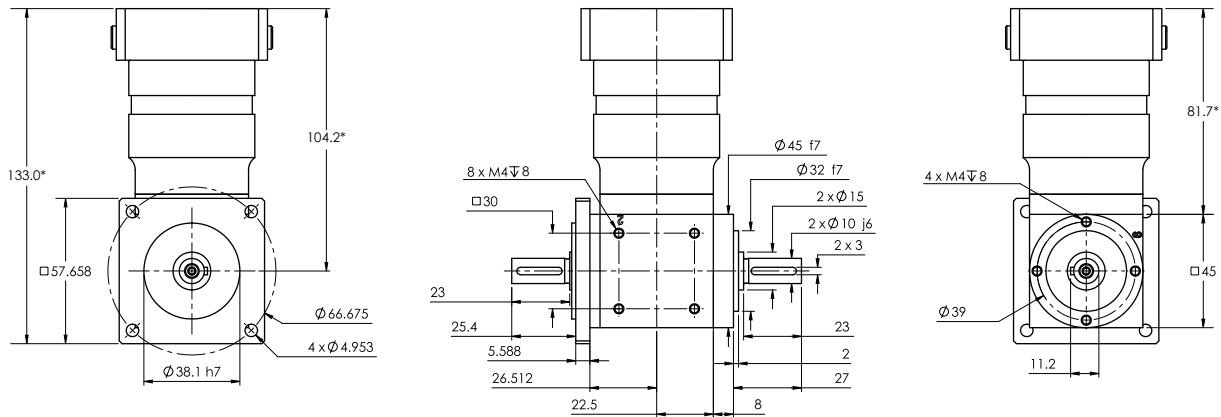
		V-T-045-020S
		20:1 Ratio
Nominal Torque	Nm	4.5
Acceleration Torque	Nm	8.0
Nominal Power	kW	0.10
Peak Power*	kW	0.60
Nominal Speed	RPM	3500
Maximum Speed	RPM	6000
Standard Backlash	arcmin	<30
Allowable Radial Loading**	N	400
Allowable Axial Loading	N	200
Efficiency at Load		92%
Service Life	hours	15000
Housing Material		Aluminum Alloy
Lubrication		Synthetic Oil
Allowable Operating Temperature		-10°C to +90°C



* For on-period less than 60% of the total cycle and less than 20 minutes

** Load applied at the center of output shaft @ 100 RPM

NOTE: 25-piece minimum per order



Sold & Serviced By:



Toll Free Phone (877) SERV098
www.electromate.com
sales@electromate.com