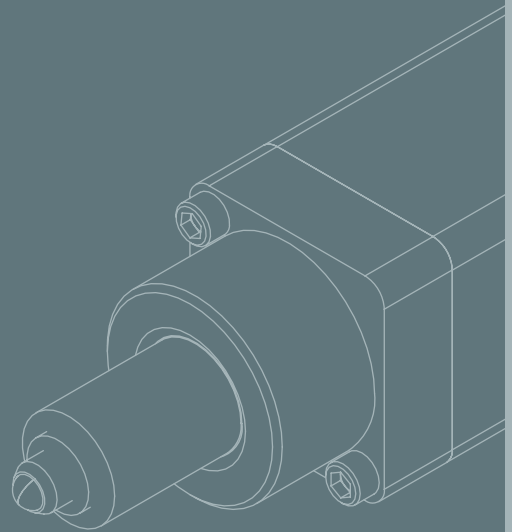




# Rotary



## Motorized Rotary Stage: T-RS



- **Continuous 360° rotation stage with built-in controller**
- **Home sensor at 0°**
- **0.00023° resolution**
- **Through-hole for 1" optics**

Zaber's T-RS60 rotary stage provides precise, continuous 360° rotation in a compact package. The robust bearing design allows the stage to handle up to 45 kg (99 lb) of load. A precision worm gear provides a 120:1 ratio allowing a stage resolution of 0.00023°. The built-in controller makes set-up a snap: just connect the stage to a computer and it is ready to use.

### **Installation**

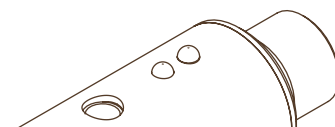
One or more stages can be connected to the RS-232 port (or USB port with optional adaptor) of any computer. Multiple devices, including any T-Series products, can be daisy-chained to a single port.

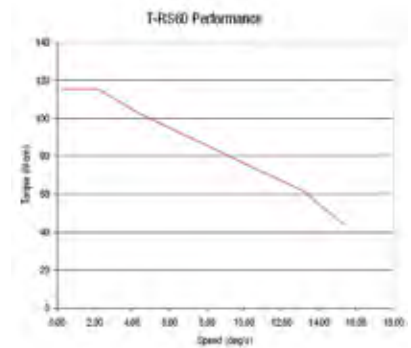
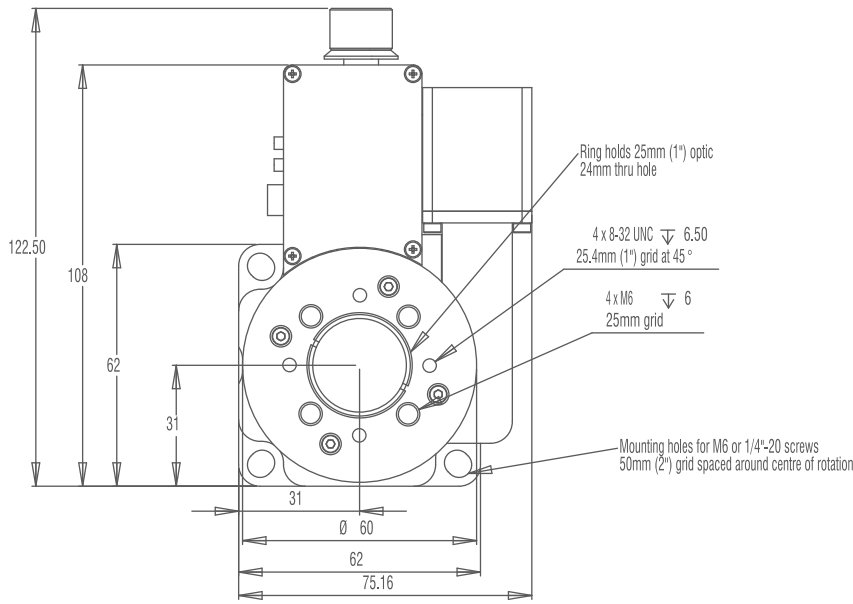
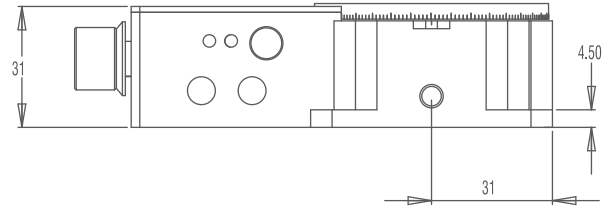
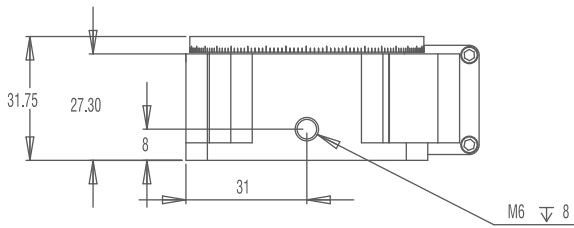
### **Computer Control**

We provide software so you can easily control your Zaber devices. Simply select the device you want to move, select a command (like "move absolute"), and enter the desired position. After the move, the stage reports its new position. Built-in scripting allows you to easily set up complex automation routines. We also provide all of our source code so that you can customize our software for your application.

### **Manual Control**

A convenient knob permits smooth manual control at variable speeds in both directions. During a manual move the stage's position is constantly transmitted to the computer and is displayed by the software. The knob allows you to use the rotary stage even without a computer.





Motorized Rotary Stages: T-RS

Model	Microstep Size (Resolution) (°)	Maximum Centred Load (N)	Accuracy (°)	Repeatability (°)	Backlash (°)	Minimum Speed (°/s)	Maximum Speed (rpm)	Maximum Torque (N-cm)	Weight (kg)
T-RS60	0.00023	450	+/- 0.05	< 0.02	< 0.05	0.00018	2.2	115	0.48